

NOTES:

1. Do not scale drawing.
2. Dimensions are given in inches (mm).
3. Right Hand shown.
4. Template drawing for reference only.

480 Top Pivot

3/4" Offset

Full Surface

Approved 2024-06-06



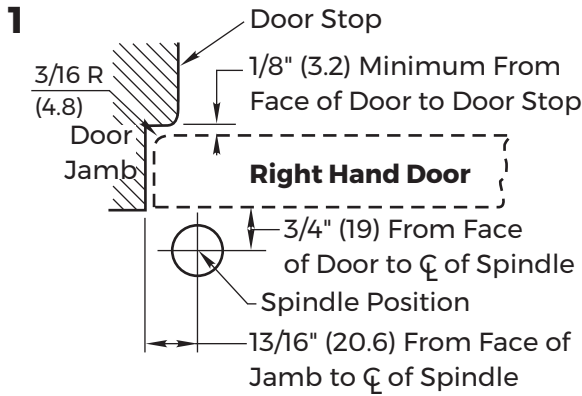
ASSA ABLOY

TEMPLATE NUMBER
IS-480

REV
3

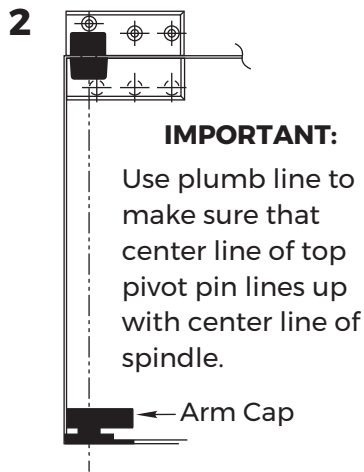
DATE
05/24

480 Top Pivot



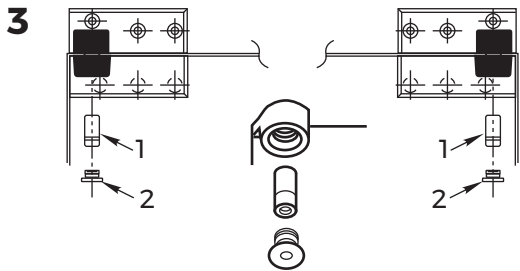
1. Install Pivot

- Measure 13/16" (20.6) out from door jamb.
- Allow 1/8" (3.2) min. clearance from door stop to door face. Measure door thickness. Add 3/4" (19).
- Where lines meet determines center line of closer/bottom pivot.



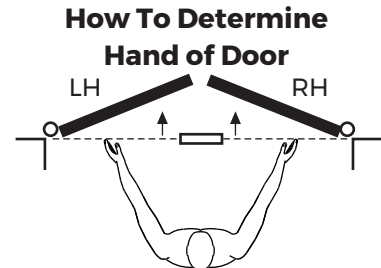
2. Install Top Pivot & Arm

- Install top pivot in door per template.
- Install top pivot in frame per template.



3. Hang Door

- Set door on bottom pivot/closer spindle.
- Push Item 1 "top pivot pin" into place. Attach "cap" Item 2. CAP MUST BE TIGHTENED SECURELY



Face a door swinging open away from you. If it opens to the right, it is right hand. If it opens to the left, it is left hand.

480 Top Pivot

3/4" Offset

Full Surface

Approved 2024-06-06

**NORTON
 RIXSON**

ASSA ABLOY

TEMPLATE NUMBER
 IS-480

REV DATE
 3 05/24