

Closing speeds can be adjusted to suit local conditions and requirements. Label on closer face designates the purpose of each adjustment screw.

- A. The Stroke valve allows adjustment from open to 15°.
- B. The Latch valve allows adjustment from 15° to closed position.

- C. **Important:** Backcheck valve option must be adjusted to vary resistance from light to firm at 70° of door opening.
- D. The Delay valve option allows closing speed adjustment from open position to 65°.

Repairs, parts replacement or internal adjustments must be done by a Rixson authorized repair agency. Consult a Rixson representative for an authorized repair agency in your area.

RIXSON

ASSA ABLOY

Installation Instructions

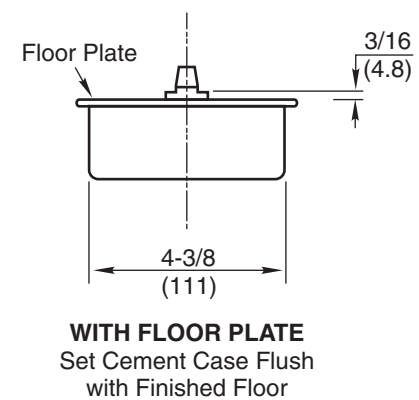
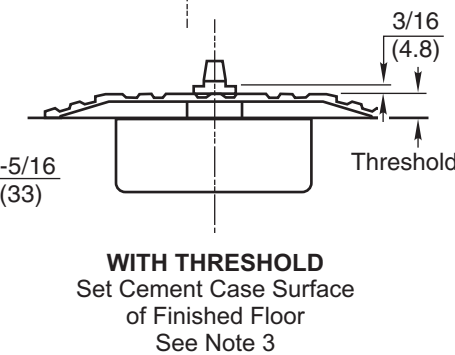
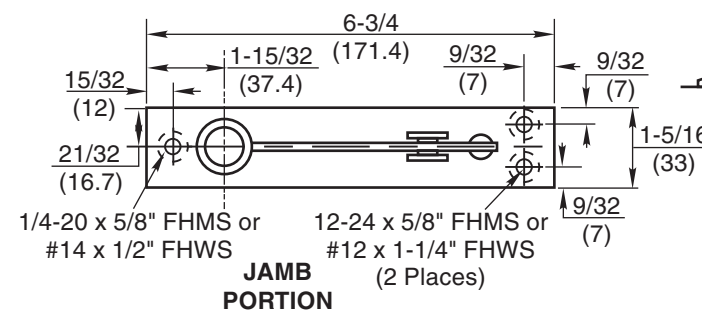
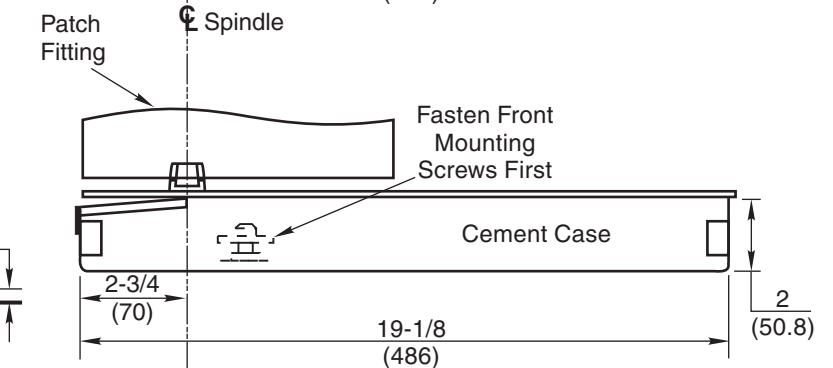
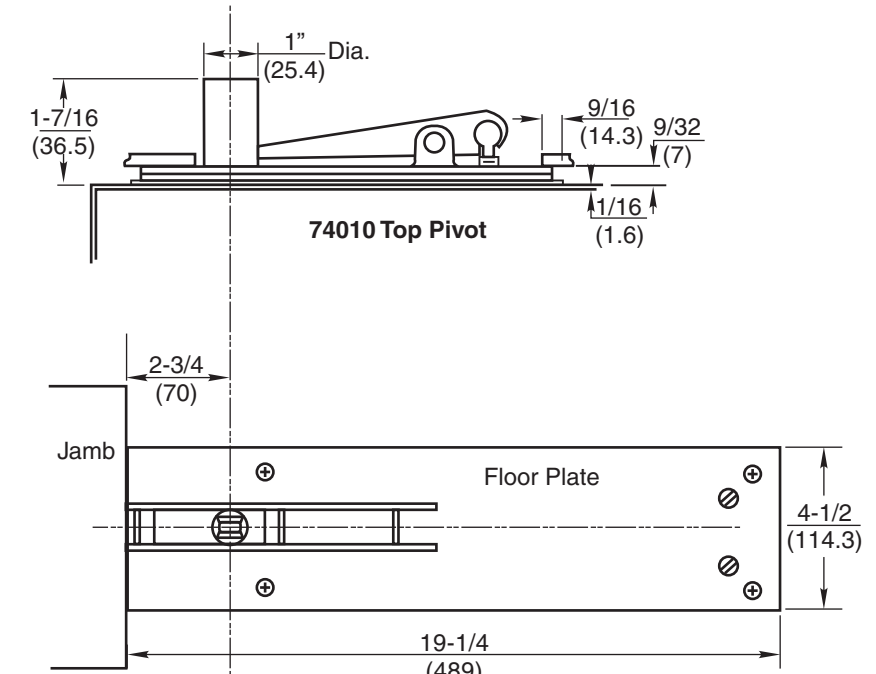
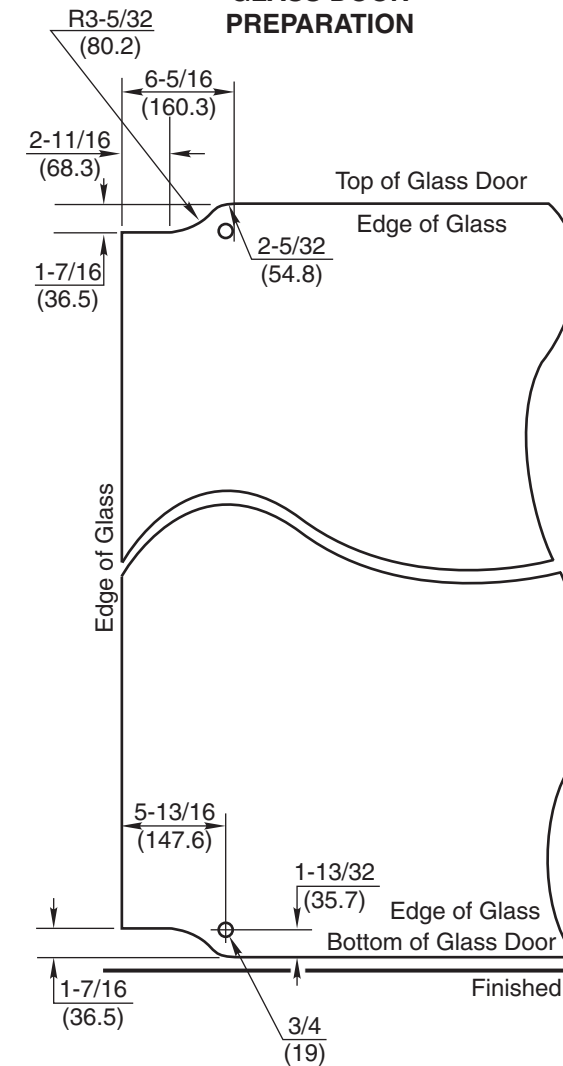
IS5040 (06-09)

5040 Floor Closer

Center Hung Single Acting – Handed
74010 Top Pivot – Non Handed
Patch Fitting Installation

Template

GLASS DOOR PREPARATION

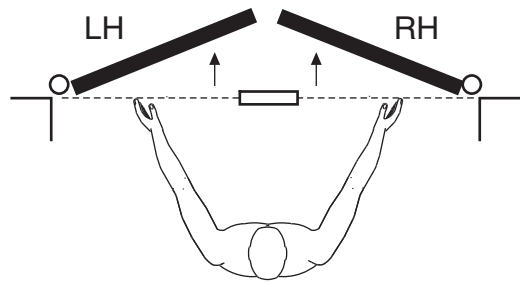


Notes:

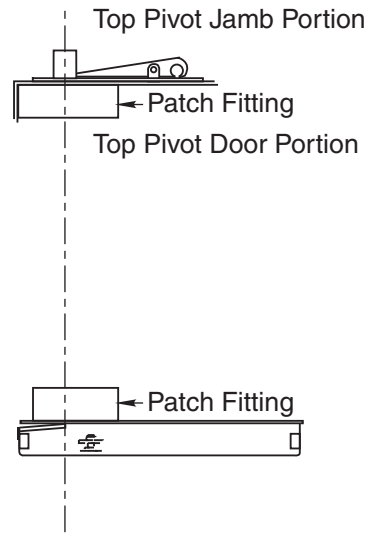
1. Do not scale drawing.
2. Suitable reinforcing by others.
3. 1/2" Extended Spindle required.
4. Rixson design Threshold available on request.
5. All dimensions given in inches (mm).



How To Determine Hand of Door



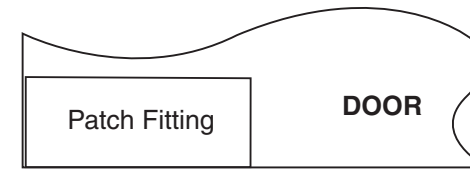
Face a door swinging open away from you. If it opens to the right, it is right hand. If it opens to the left, it is left hand.



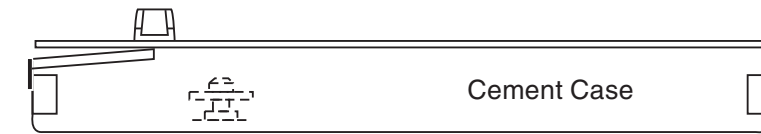
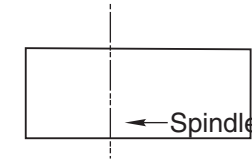
IMPORTANT:

Use plumb line to make sure that center line of top pivot pin lines up with center line of closer spindle.

3. Install Pivot

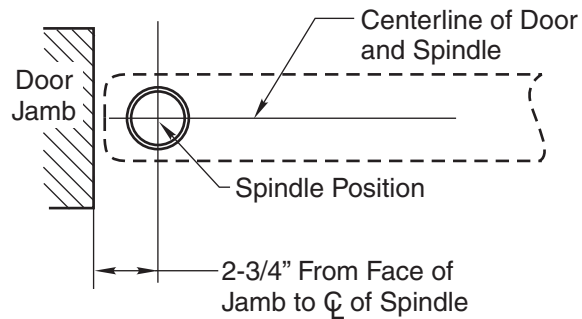


- A. Install patch fittings (top & bottom) into door per template.
- B. Install top pivot in jamb per template.
- C. Centerline of pivot pin should line up with centerline of spindle. Use plumb line to assure accuracy.



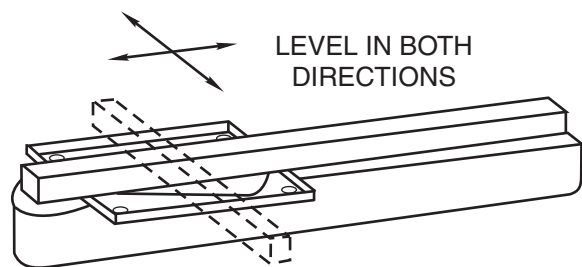
Installation Instructions

1. Locating Closer



- A. Measure 2-3/4" out from door jamb on centerline of door. This is the location of the spindle center.

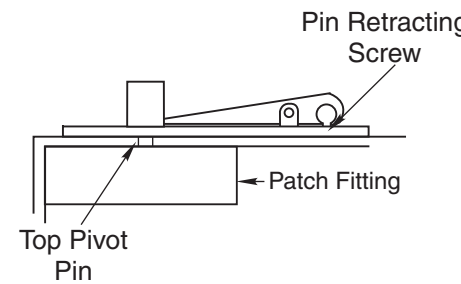
2. Install Cement Case in Floor



- A. For floor plate application: Cement case is set 1/8" (3.2mm) below floor level.
- B. For threshold application: Cement case is set flush with floor.
- C. Set cement case in floor and block in position.
- D. Case should be parallel with center line of door.
- E. CEMENT CASE SHOULD BE LEVEL. Place levels per illustration.
- F. Grout in cement case with closer. Cement should not get between closer and case.

4. Hang Door

CAUTION: Closer is shipped with valve screws down. DO NOT FORCE VALVES DOWN.



- A. Retract top pivot pin by turning retracting pin screw counterclockwise. (see illustration)
- B. Using wrench, turn until arm is in 30° open position. (see illustration)
- C. Set door on spindle. DO NOT ATTEMPT TO CLOSE DOOR.
- D. Align jamb portion of the pivot with top patch and turn pin retracting screw clockwise.
- E. Open door to 60° or more and open "closing speed" and "latch" valves by turning screws counterclockwise. Door will then close.

