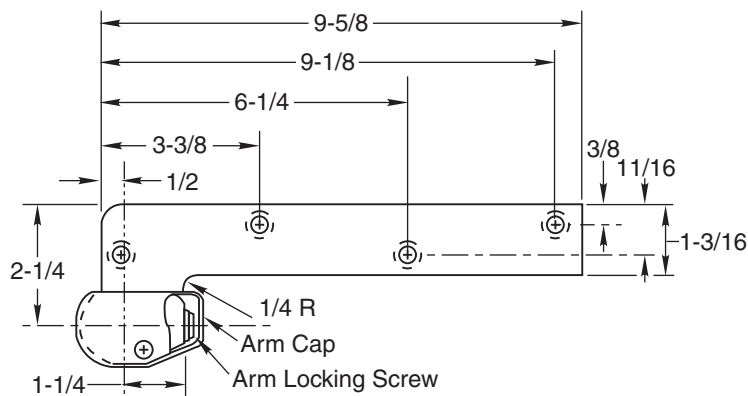
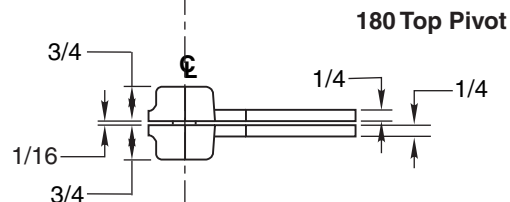
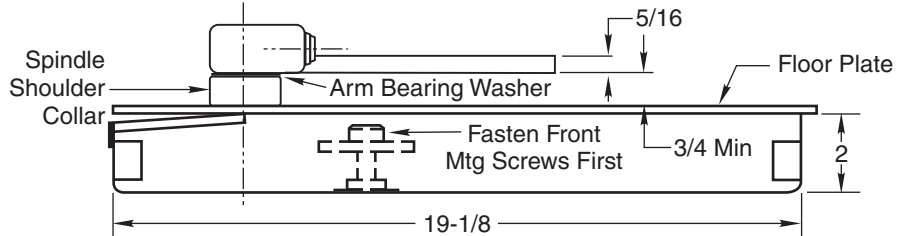


**Notes:**

1. Do not scale drawing.
2. Right Hand Shown.
3. All dimensions given in inches.  
 Conversion from inches to metric:  
 inch x 25.4
4. Norton Rixson design thresholds available on request.
5. Do not remove grind plate until closer is installed.
6. No built-in dead stop. External stop required, by others.

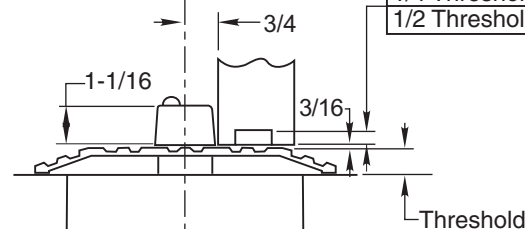


Where vertical adjustment is necessary two 1/16" thick shims are provided to be placed between arm & arm bearing washer.

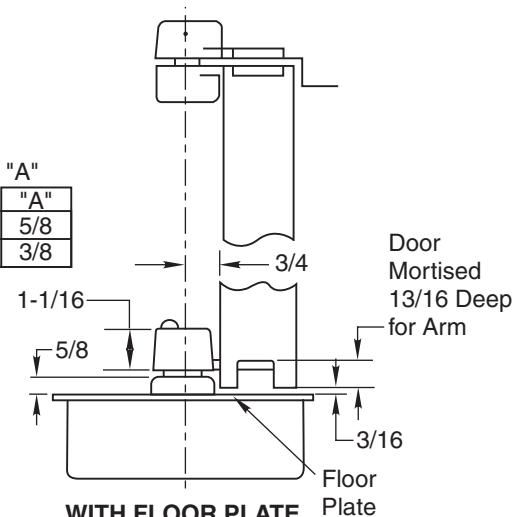


Door Mortised "A"  
 Deep for Arm "A"

1/4 Threshold	5/8
1/2 Threshold	3/8



**WITH THRESHOLD**  
 Set Cement Case Flush with Finished Floor



**WITH FLOOR PLATE**  
 Set Cement Case Flush With Finished Floor

**51 Floor Closer  
 3/4" Offset**



**ASSA ABLOY**

TEMPLATE NUMBER	REV	DATE
<b>OS10200</b>	<b>3</b>	<b>12/21</b>