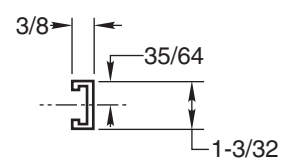
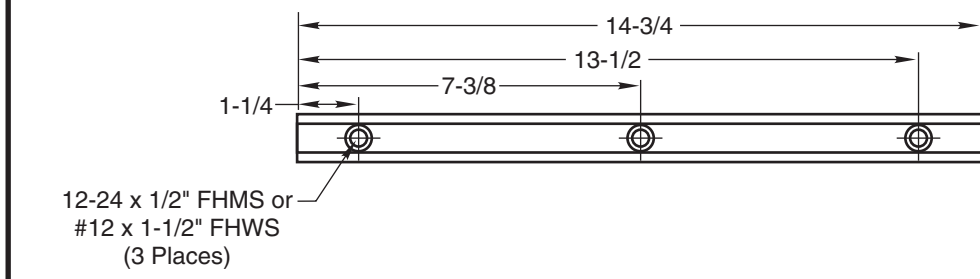
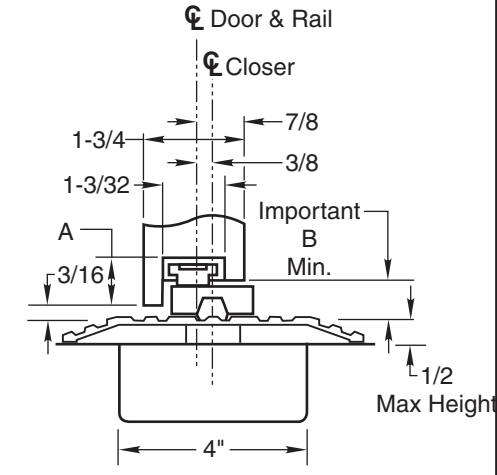
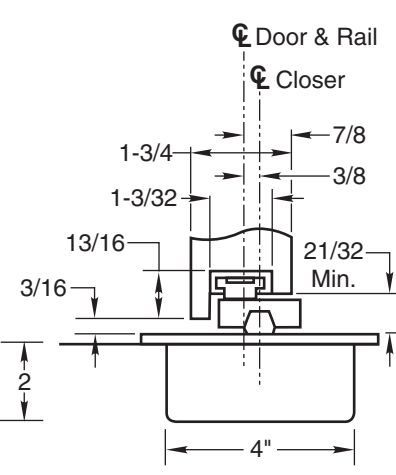


Notes:

1. Right Hand Shown.
2. See pivot/hinge template for door configuration.
3. Rail to be 9/16" from hinge edge of door for 519 pivot only.
4. *Add 9/16" to these dimensions for 519 pivot only.
5. For additional template details for Norton Rixson side jamb pivots refer to IP50050, for pocket pivot see IP50500 A & B.
6. Thresholds available on request (Norton Rixson design Type 4).
7. When threshold is used, door closer furnished must have a 1/2" longer spindle.
8. Auxiliary heavy duty door stop required.
9. Do not remove grind plate until closer is installed.
10. Dimensions are given in inches. (Conversion from inches to metric: inch x 25.4.)

| | A | B |
|---------------|--------|-------|
| 1/4 Threshold | 1-1/16 | 29/32 |
| 1/2 Threshold | 13/16 | 21/32 |



DO NOT SCALE DRAWING

| Door Thickness | Hinge/Pivot | Max Degree Opening |
|----------------|--------------------------------|--------------------|
| 1-3/4" | 4", 4-1/2", 5" Leaf Butt Hinge | 120 |
| | 3/4" Offset Side Jamb Pivot | 120 |
| | 519 Pocket Pivot | 90 |
| 2-1/4" | 5" Leaf Butt hinge | 120 |
| | 3/4" Offset Side Jamb Pivot | 110 |

Consult factory for other door thickness, hinge/pivot sizes or extended spindle lengths.

**53 Floor Closer
 Independently Hung**



| TEMPLATE NUMBER | REV | DATE |
|-----------------|----------|--------------|
| OS10600 | 4 | 12/21 |