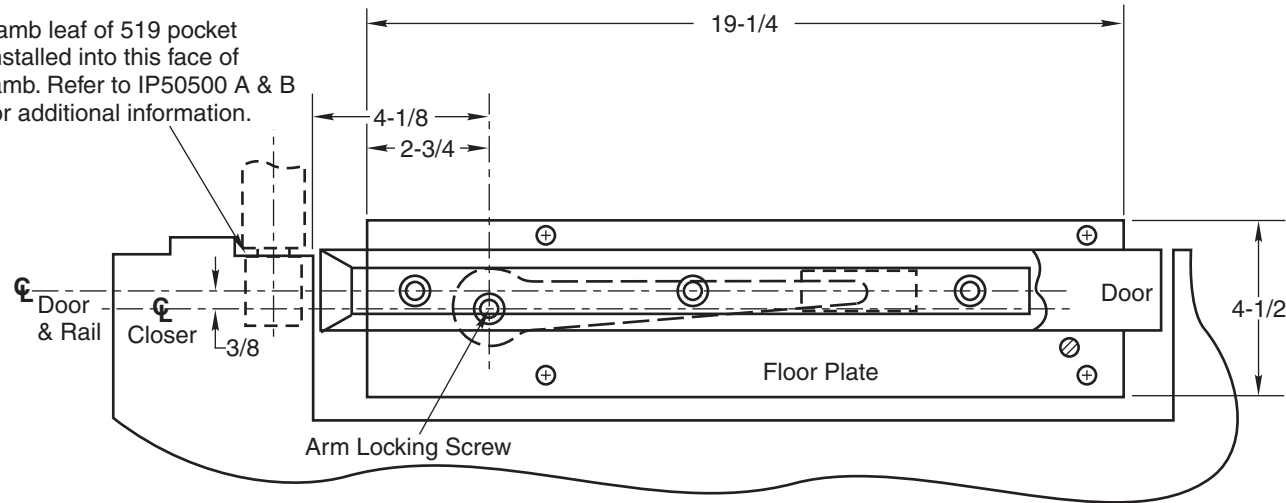
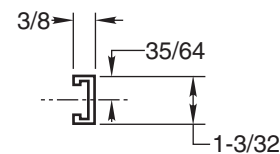
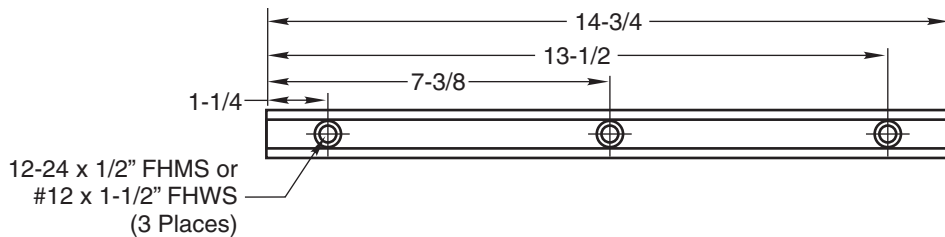
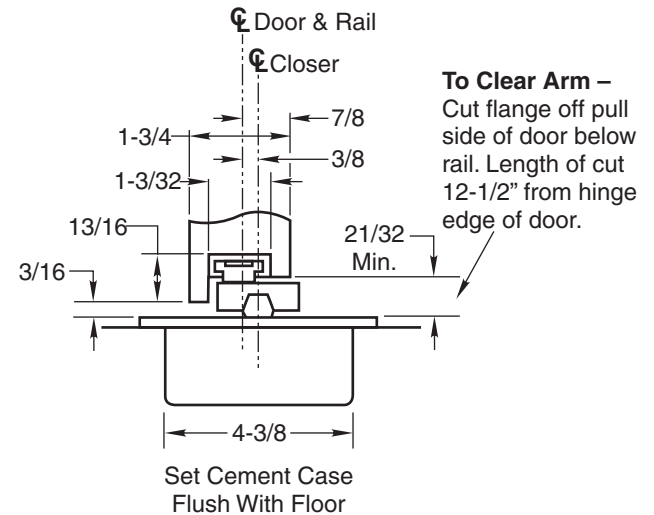
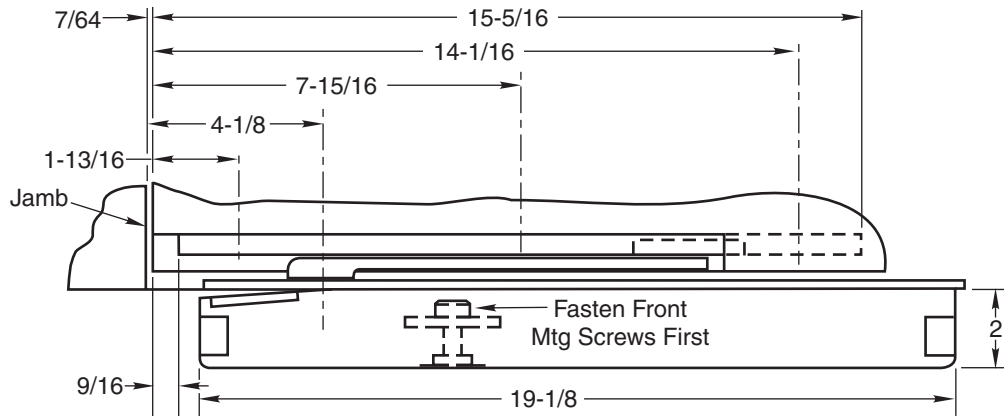


Jamb leaf of 519 pocket installed into this face of jamb. Refer to IP50500 A & B for additional information.



**Notes:**

1. Do not scale drawing.
2. Right Hand Shown.
3. All dimensions given in inches. Conversion from inches to metric: inch x 25.4
4. Solid door line represents door in open position with closer wound. Dashed door line represents door in closed position with closer at rest.
5. See IP50500 A & B for door mortising.
6. Consult factory for door thickness other than 1-3/4" or for extended spindle lengths.



**5310 Floor Closer  
 Pocket Pivot Application**



TEMPLATE NUMBER	REV	DATE
<b>OS10610</b>	<b>4</b>	<b>12/21</b>