

564/565 Push Button Kit

Wiring Instructions

for 5600, 5700, 6000 and 6300 Power Operators

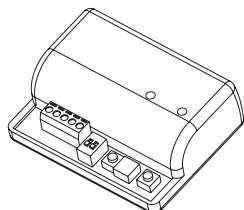
⚠ WARNING

This product can expose you to lead which is known to the state of California to cause cancer and birth defects or other reproductive harm. For more information go to www.P65warnings.ca.gov.

Pour la version française voir www.nortondoорcontrols.com.
READ AND FOLLOW ALL INSTRUCTIONS. SAVE THESE INSTRUCTIONS.

Included in Kit:

Note: User guide for transmitter and receiver is included with components.



539 Receiver
x1 - 564
x1 - 565



ADA1019-1 Push Button
x1 - 564
x2 - 565



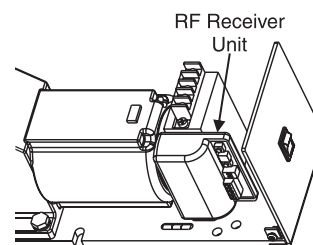
548 Transmitter
x1 - 564
x2 - 565

Operation:

- Door is normally closed.
- Activating wireless switch or hand held wireless transmitter will open door.
- Door will close after hold open time delay has elapsed.

NOTE:

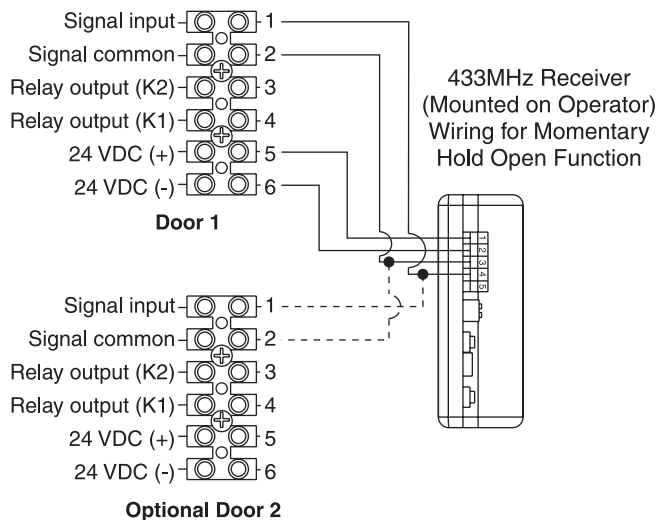
1. Power input to Door Operator Unit is at "T1" Power Input Terminal (not shown) 120VAC 60Hz.
2. Door must be visible by person operating activation switch(es).
3. Current draw at Power Outputs not to exceed 1.3 amps.



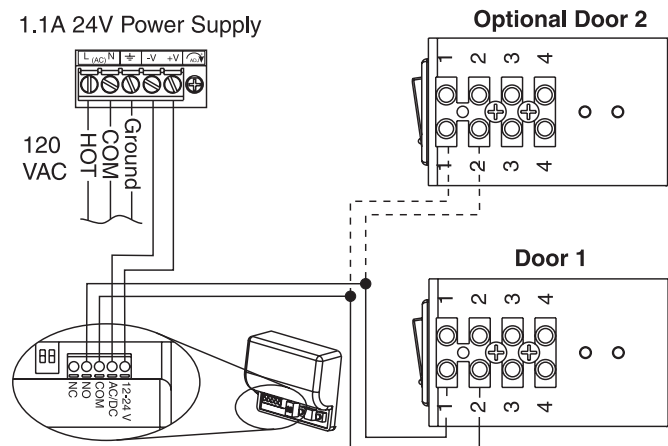
Example installation of RF receiver:

- Position supplied hook and loop fastener onto back of receiver. Remove protective film.
- Press receiver onto inside of end cap or where space will allow with green wire toward conduit hole.
- Refer to specific section to wire.

5600 Power Operators:

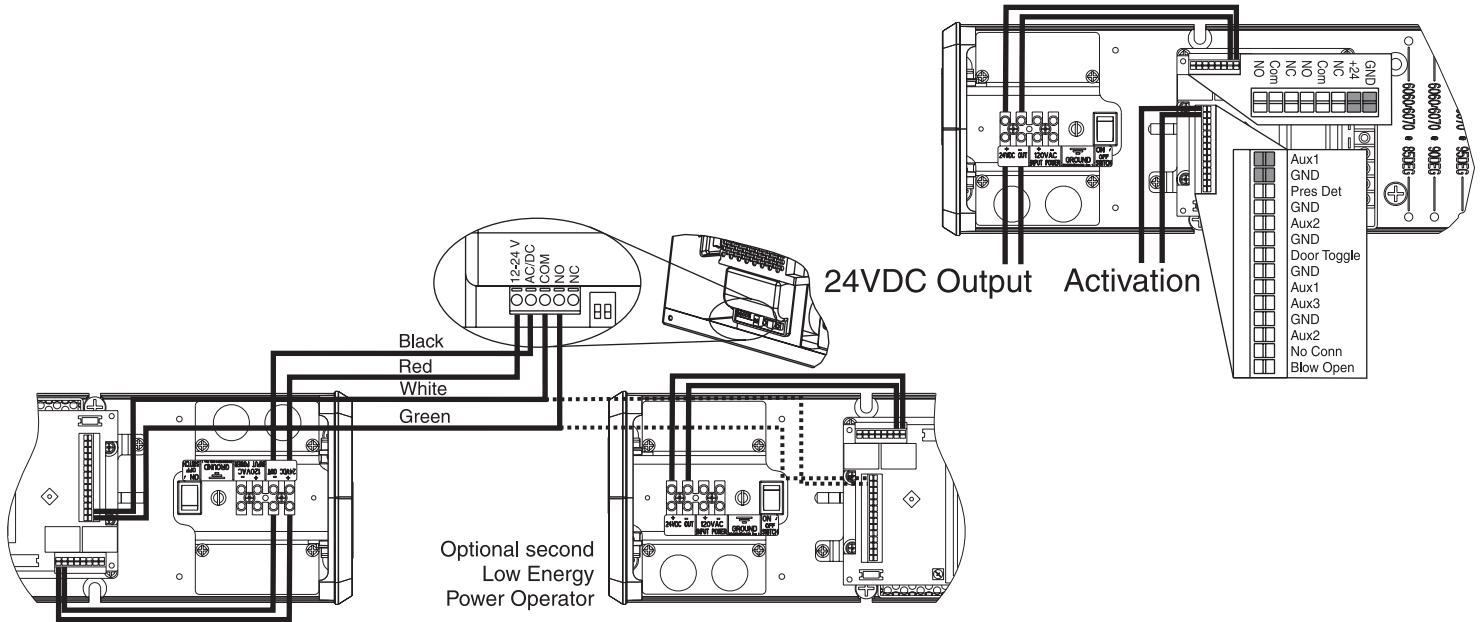


5700 Power Operators:

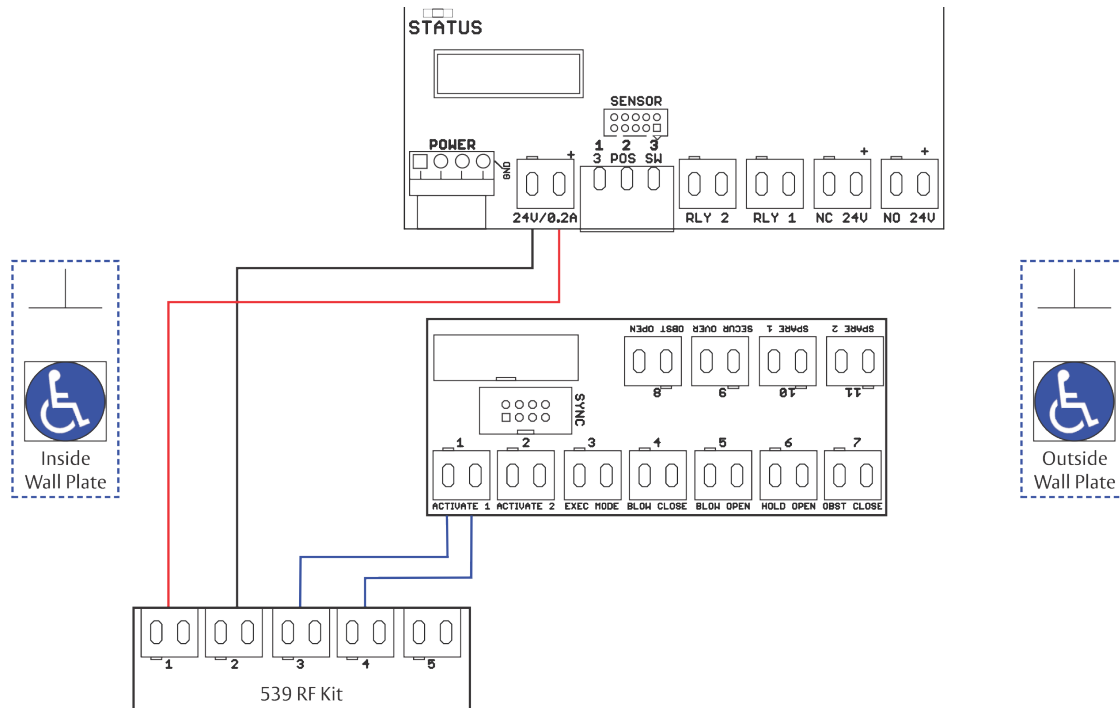


The ASSA ABLOY Group is the global leader in access solutions. Every day we help people feel safe, secure and experience a more open world.

6000 Power Operators:



6300 Power Operators:



Norton Technical Product Support:
Monroe, NC 28112 USA
Phone: 800.438.1951 ext: 6030
TechSupport.Norton@assaabloy.com
nortondoortcontrols.com

Norton is a brand associated with ASSA ABLOY Accessories and Door Controls Group, Inc., an ASSA ABLOY Group company. Copyright © 2020, ASSA ABLOY Accessories and Door Controls Group, Inc. All rights reserved. Reproduction in whole or in part without the express written permission of ASSA ABLOY Accessories and Door Controls Group, Inc. is prohibited.