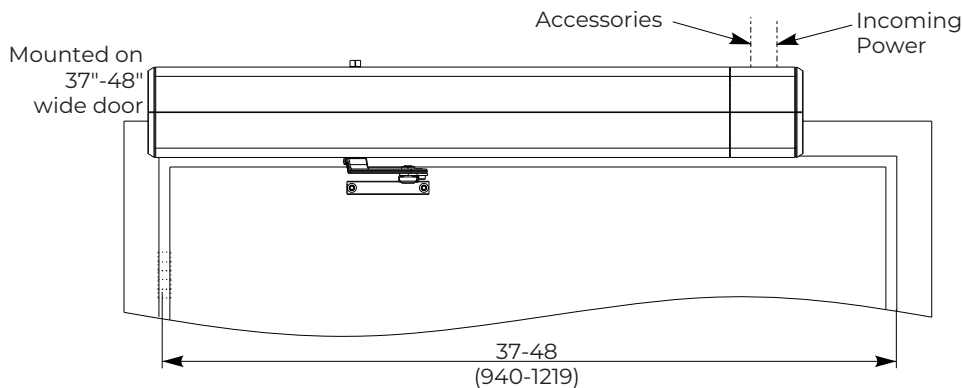
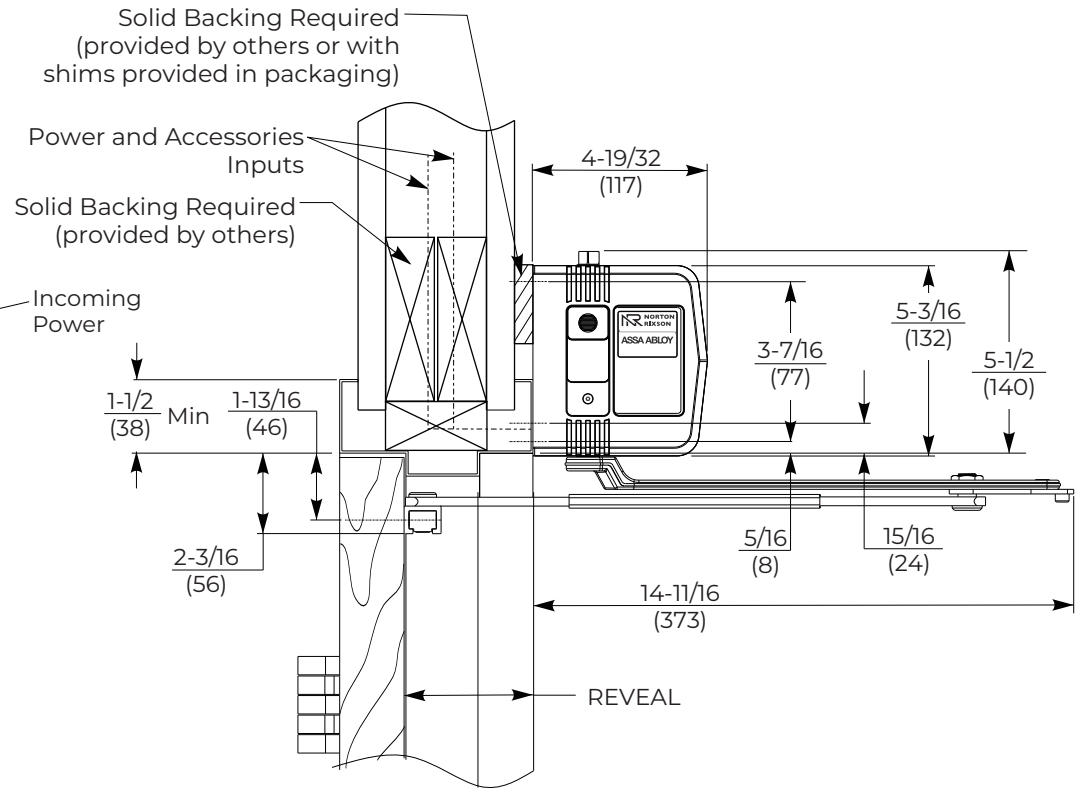
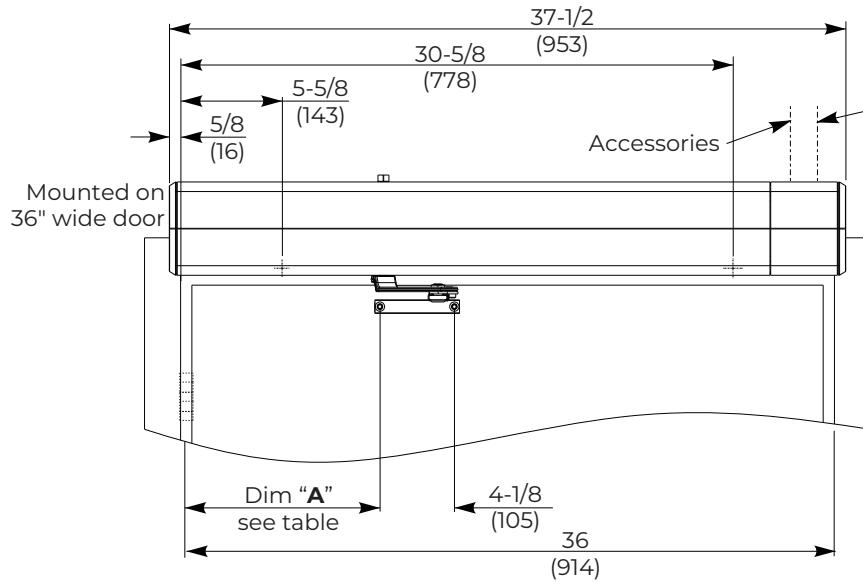


Door Angle	85°	90°	95°	100°	105°	110°
Dim A	13-1/4" (337mm)	12-5/8" (320mm)	12" (305mm)	11-1/2" (292mm)	11-1/8" (283mm)	10-3/4" (273mm)



**NOTES:**

- Dimensions shown in inches / (mm) unless specified otherwise.
- Electrical requirements:
  - Power input of 120VAC, 5Amp minimum
  - Accessories circuit for activation to operator and low voltage
- For initial set up, doors must be un-latched and free to move
- For additional installation instructions, see instruction sheet 80-9360-1042-020. Visit [www.NortonRixson.com](http://www.NortonRixson.com)
- Refer to page 2 for proper handling of product

**6061 Series Template  
 for 36"-48" frames with up to 5" Butt Hinges  
 (shown on 36" and 37"-48" wide frames)  
 Reveal of 2-1/4" to 4-3/4" and Opening of 85° to 110°**

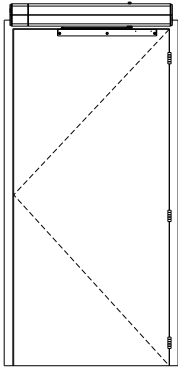
Approved 2023-07-12

Page 1



TEMPLATE NUMBER	REV	DATE
7360-1049	2	05/23

Single Push Side

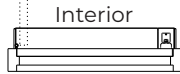
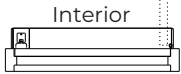


**NOTE:**

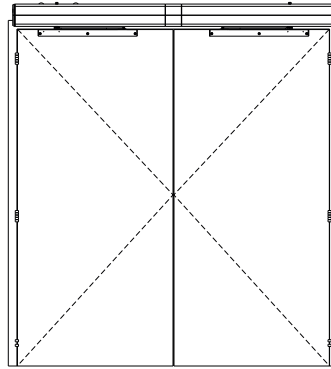
- All illustrations on this page shown with 36" (914mm) wide doors

Left Hand Door  
(view from below)

Right Hand Door  
(view from below)

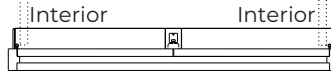


Double Door Push Side

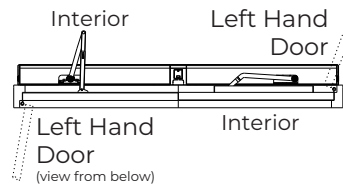
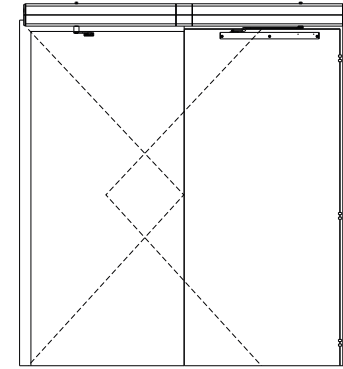


Right Hand Door  
(view from below)

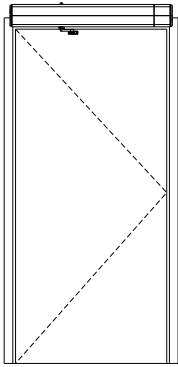
Left Hand Door  
(view from below)



Double Door Double Egress Left Hand



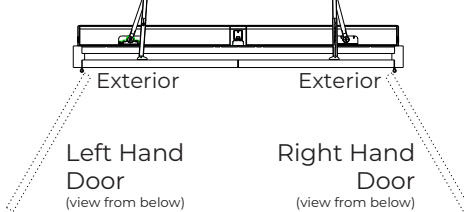
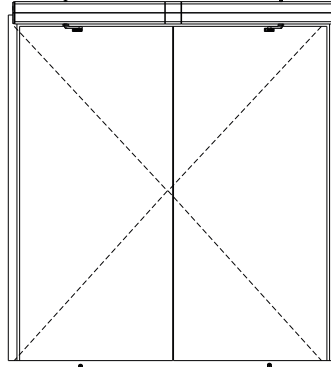
Single Pull Side



Right Hand Door  
(view from below)

Left Hand Door  
(view from below)

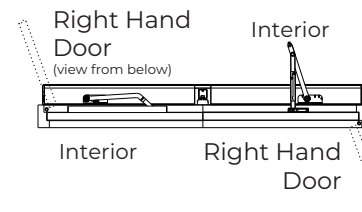
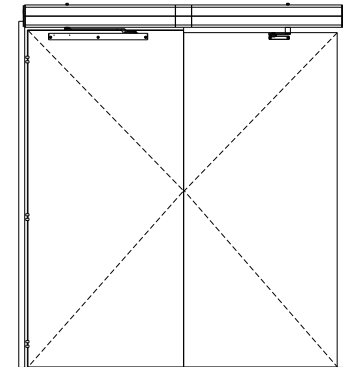
Double Door Pull Side



Left Hand Door  
(view from below)

Right Hand Door  
(view from below)

Double Door Double Egress Right Hand



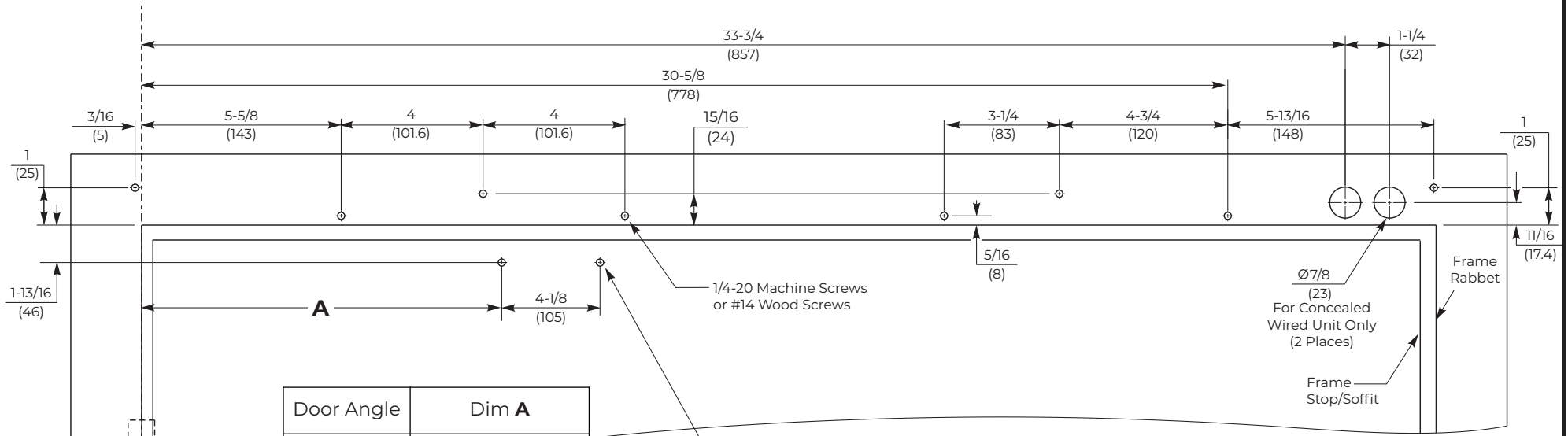
**6061 Series Template**  
**for 36"-48" frames with up to 5" Butt Hinges**  
**(shown on 36" and 37"-48" wide frames)**  
**Reveal of 2-1/4" to 4-3/4" and Opening of 85° to 110°**

Approved 2023-07-12

Page 2

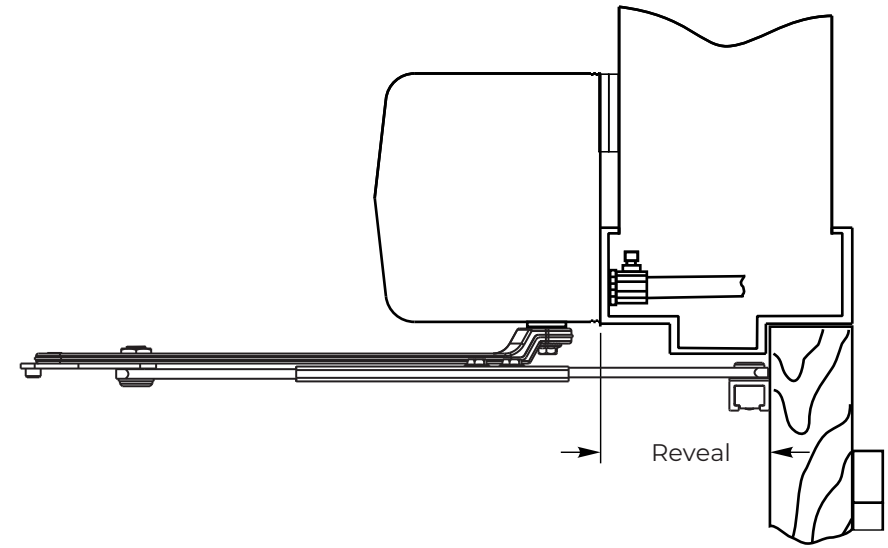


TEMPLATE NUMBER	REV	DATE
7360-1049	2	05/23



Door Angle	Dim A
85°	13-1/4" (337mm)
90°	12-5/8" (320mm)
95°	12" (305mm)
100°	11-1/2" (292mm)
105°	11-1/8" (283mm)
110°	10-3/4" (273mm)

Ø3/8 (9.5)  
Sex Nuts  
(2 Places)





**NOTES:**

- Do not scale drawing.
- Left hand door shown for push side.
- All dimensions are given in inches and millimeters.
- Recommended thickness for reinforcements in hollow-metal doors and frames should provide a combined material thickness of .164 (4.2) MIN.
- This template information based upon use of 5 (127) maximum width butt hinges or 3/4 (19) offset pivots.

**6061 Series Template  
 for 36"-48" frames with up to 5" Butt Hinges  
 (shown on 36" and 37"-48" wide frames)  
 Reveal of 2-1/4" to 4-3/4" and Opening of 85° to 110°**

Approved 2023-07-12

<b>Page 3</b>	 <b>NORTON RIXSON</b>	
	 <b>ASSA ABLOY</b>	
TEMPLATE NUMBER	REV	DATE
7360-1049	2	05/23