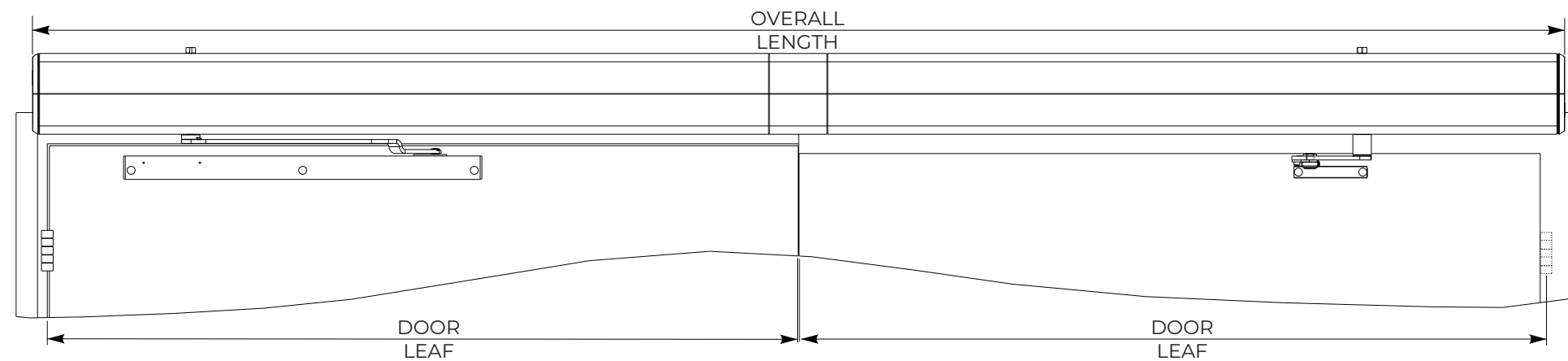
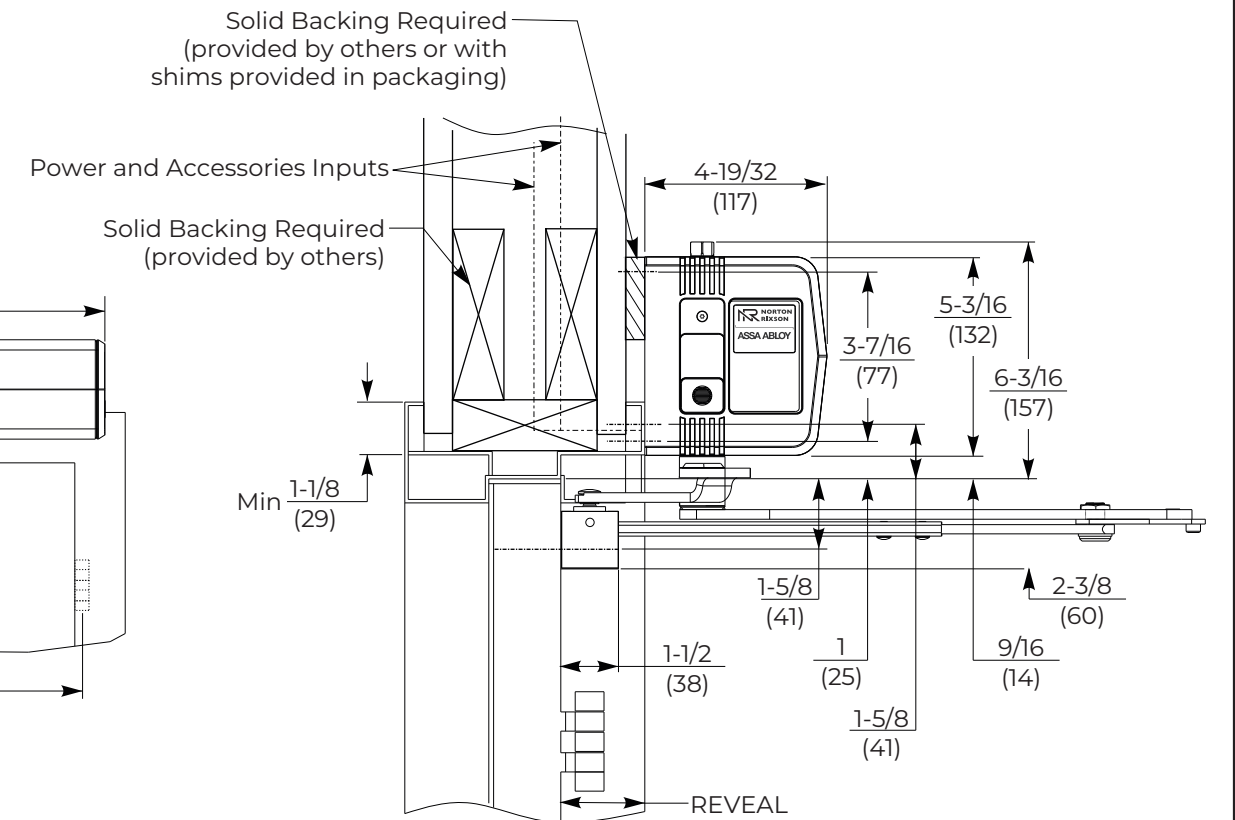


	Door Leaf Width	OAL (Overall Length)	Dim A	Dim B	Dim D
D6001DER1-36	36 (914)	74-1/4 (1886)	5-9/16 (141)	30-9/16 (776)	30-9/16 (776)
D6001DER1-38	38 (965)	78-1/4 (1988)	7-9/16 (192)	32-9/16 (827)	32-9/16 (827)
D6001DER1-40	40 (1016)	82-1/4 (2089)	9-9/16 (243)	34-9/16 (878)	34-9/16 (878)
D6001DER1-42	42 (1067)	86-1/4 (2191)	11-9/16 (294)	36-9/16 (929)	36-9/16 (929)
D6001DER1-44	44 (1118)	90-1/4 (2292)	13-9/16 (344)	38-9/16 (979)	38-9/16 (979)
D6001DER1-46	46 (1168)	94-1/4 (2394)	15-9/16 (395)	40-9/16 (1030)	40-9/16 (1017)
D6001DER1-48	48 (1219)	98-1/4 (2496)	17-9/16 (446)	42-9/16 (1081)	42-9/16 (1081)

Door Open Angle	Dim G
85°	13-1/4 (337)
90°	12-5/8 (320)
95°	12 (305)
100°	11-1/2 (292)
105°	11-1/8 (283)
110°	10-3/4 (273)



NOTES:

- Dimensions shown in inches / (mm) unless specified otherwise.
- Electrical requirements:
 - Power input of 120VAC, 5Amp minimum
 - Accessories circuit for activation to operator and low voltage
- For initial set up, doors must be un-latched and free to move
- For additional installation instructions, see instruction sheet 80-9360-1047-020. Visit www.NortonRixson.com
- Refer to page 2 for proper handling of product

This application uses the 6051-2R arm and track for the Pull Side door and 6061-1 arm assembly for the Push Side door

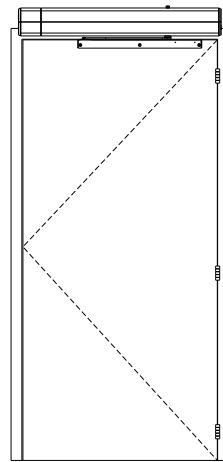
D6001DER1 Series Template
 shown on pairs of 36", 38", 40", 42", 44", 46" and 48" frames
 shown with up to 5" Butt Hinges
 Reveal of 3" (76) to 4-3/4" (121) on Push and Pull sides Maximum Opening of 110°

Page 1

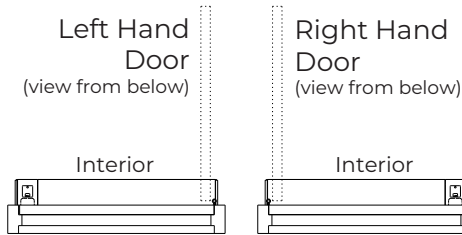


TEMPLATE NUMBER	REV	DATE
7360-1059	2	05/23

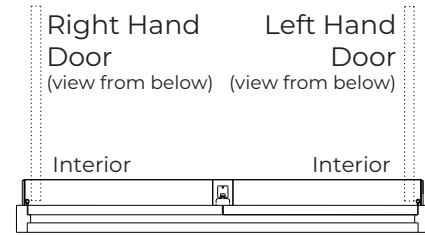
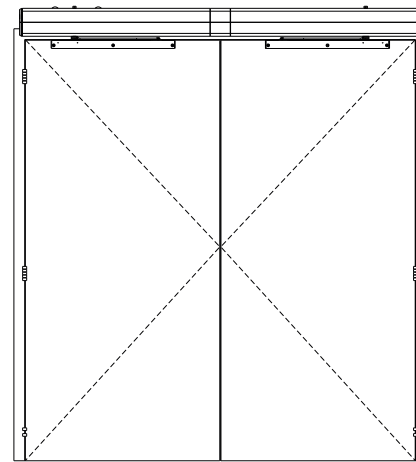
Single Pull Side



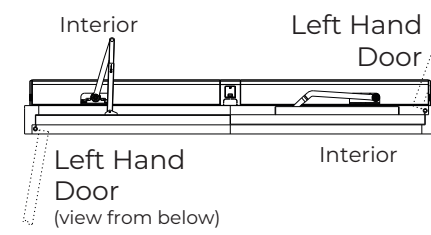
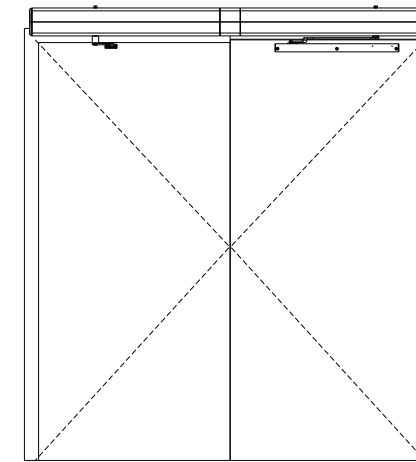
NOTE:
 - All illustrations on this page
 shown with 36" (914mm) wide
 doors



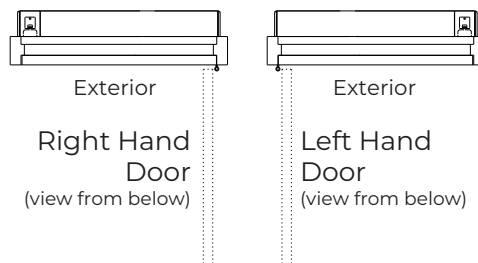
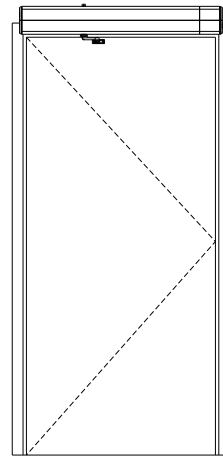
Double Door Pull Side



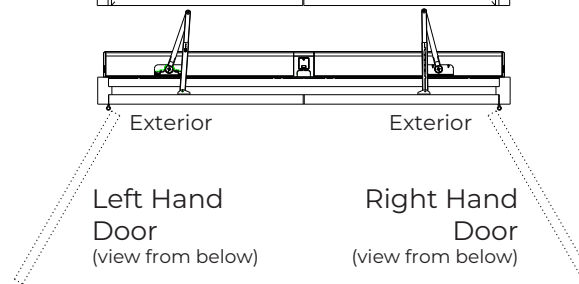
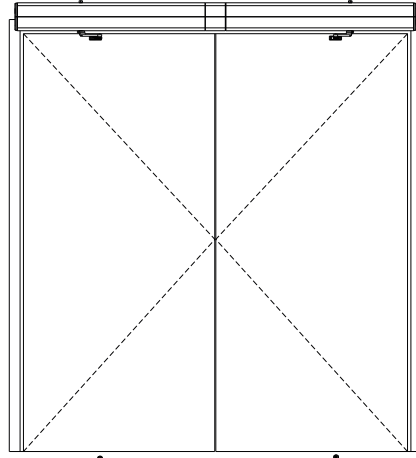
Double Door Double Egress Left Hand



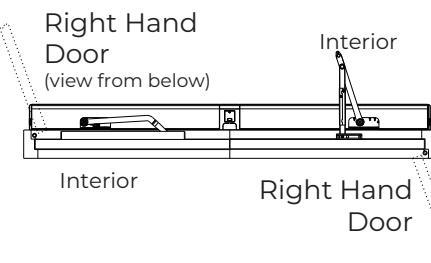
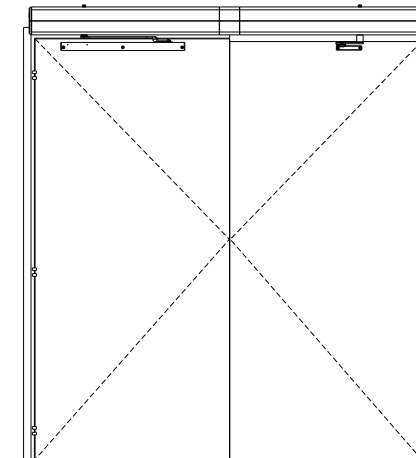
Single Push Side



Double Door Push Side



Double Door Double Egress Right Hand

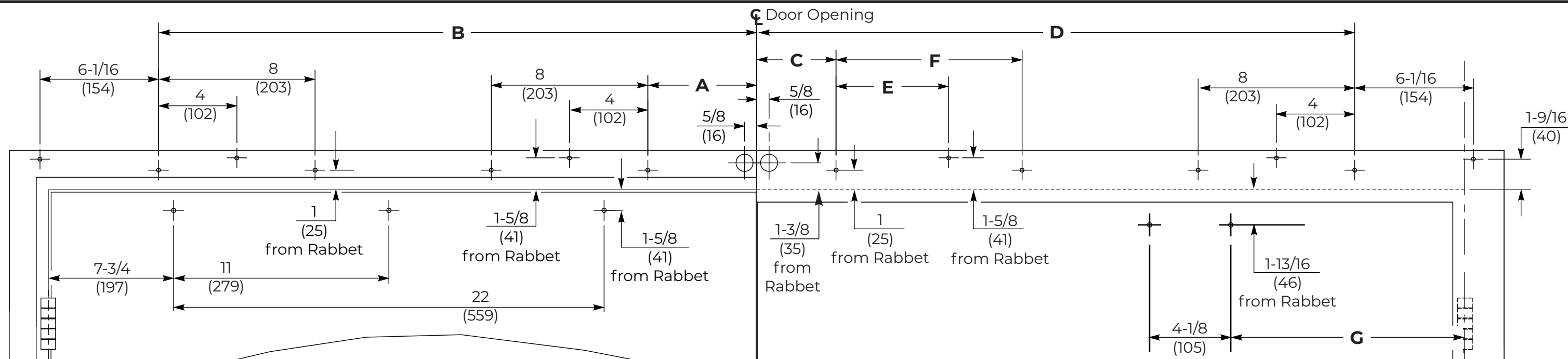


D6001DER1 Series Template
 shown on pairs of 36", 38", 40", 42", 44", 46" and 48" frames
 shown with up to 5" Butt Hinges
 Reveal of 3" (76) to 4-3/4" (121) on Push and Pull sides Maximum Opening of 110°

Page 2

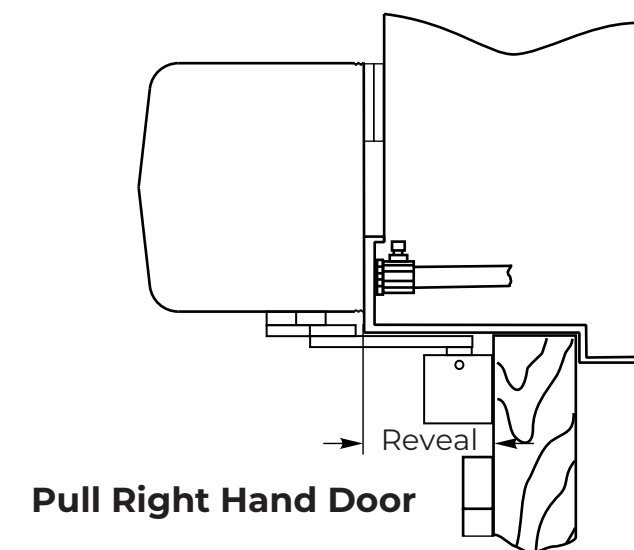
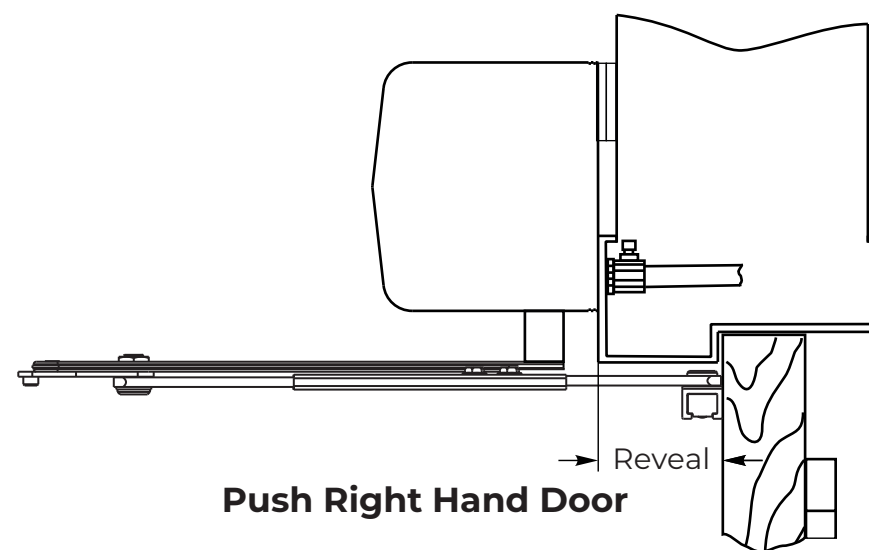
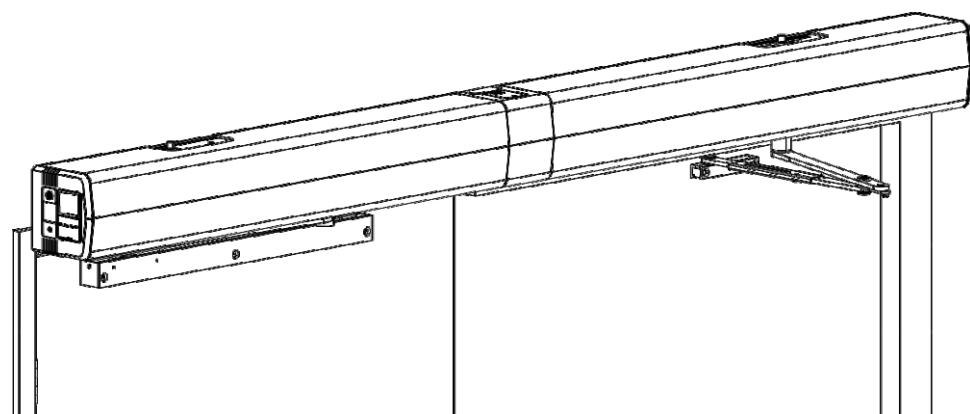


TEMPLATE NUMBER	REV	DATE
7360-1059	2	05/23



	Dim A	Dim B	Dim C	Dim D	Dim E	Dim F
D6001DER1-36	5-9/16 (141)	30-9/16 (776)	4-1/16 (103)	30-9/16 (776)	5-3/4 (146)	9-1/2 (241)
D6001DER1-38	7-9/16 (192)	32-9/16 (827)	4-1/16 (103)	32-9/16 (827)	7-3/4 (197)	11-1/2 (292)
D6001DER1-40	9-9/16 (243)	34-9/16 (878)	9-9/16 (243)	34-9/16 (878)	4 (102)	8 (203)
D6001DER1-42	11-9/16 (294)	36-9/16 (929)	10-1/16 (256)	36-9/16 (929)	5-3/4 (146)	9-1/2 (241)
D6001DER1-44	13-9/16 (344)	38-9/16 (979)	12-1/16 (306)	38-9/16 (979)	5-3/4 (146)	9-1/2 (241)
D6001DER1-46	15-9/16 (395)	40-9/16 (1030)	14-1/16 (356)	40-9/16 (1017)	5-3/4 (146)	9-1/2 (241)
D6001DER1-48	17-9/16 (446)	42-9/16 (1081)	16-1/16 (408)	42-9/16 (1081)	5-3/4 (146)	9-1/2 (241)

Door Open Angle	Dim G
85°	13-1/4 (337)
90°	12-5/8 (320)
95°	12 (305)
100°	11-1/2 (292)
105°	11-1/8 (283)
110°	10-3/4 (273)



NOTES:

- Do not scale drawing.
- Operator shown for push side double door application.
- All dimensions are given in inches and millimeters.
- Recommended thickness for reinforcements in hollow-metal doors and frames should provide a combined material thickness of .164 (4.2) MIN.
- This template information based upon use of 5 (127) maximum width butt hinges or 3/4 (19) offset pivots.

This application uses the 6051-2R arm and track for the Pull Side door and 6061-1 arm assembly for the Push Side door

D6001DER1 Series Template
 shown on pairs of 36", 38", 40", 42", 44", 46" and 48" frames
 shown with up to 5" Butt Hinges
Reveal of 3" (76) to 4-3/4" (121) on Push and Pull sides Maximum Opening of 110°

Page 3



TEMPLATE NUMBER	REV	DATE
7360-1059	2	05/23