

	Door Leaf Width	OAL (Overall Length)	Dim A	Dim B	Dim D
D6021-36	36 (914)	74-1/4 (1886)	5-9/16 (141)	30-9/16 (776)	30-9/16 (776)
D6021-38	38 (965)	78-1/4 (1988)	7-9/16 (192)	32-9/16 (827)	32-9/16 (827)
D6021-40	40 (1016)	82-1/4 (2089)	9-9/16 (243)	34-9/16 (878)	34-9/16 (878)
D6021-42	42 (1067)	86-1/4 (2191)	11-9/16 (294)	36-9/16 (929)	36-9/16 (929)
D6021-44	44 (1118)	90-1/4 (2292)	13-9/16 (344)	38-9/16 (979)	38-9/16 (979)
D6021-46	46 (1168)	94-1/4 (2394)	15-9/16 (395)	40-9/16 (1030)	40-9/16 (1017)
D6021-48	48 (1219)	98-1/4 (2496)	17-9/16 (446)	42-9/16 (1081)	42-9/16 (1081)

**NOTES:**

- Dimensions shown in inches / (mm) unless specified otherwise.
- Electrical requirements:
  - Power input of 120VAC, 5Amp minimum
  - Accessories circuit for activation to operator and low voltage
- For initial set up, doors must be un-latched and free to move
- For additional installation instructions, see instruction sheet 80-9360-1045-020. Visit [www.NortonRixson.com](http://www.NortonRixson.com)
- Refer to page 2 for proper handling of product

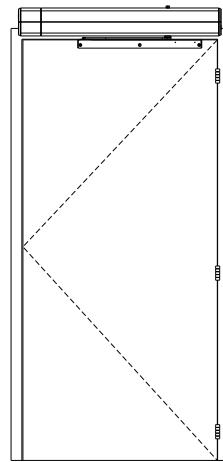
**D6021 Series Template**  
 shown on pairs of 36", 38", 40", 42", 44", 46", and 48" frames  
 shown with up to 5" Butt Hinges  
 Maximum reveal of 6-7/8" and Maximum of 110° of opening

Page 1

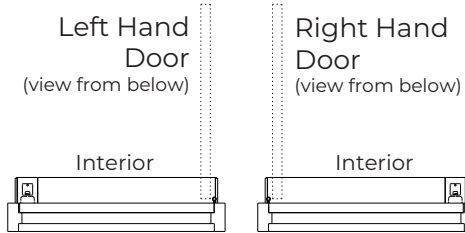


TEMPLATE NUMBER	REV	DATE
7360-1052	3	05/23

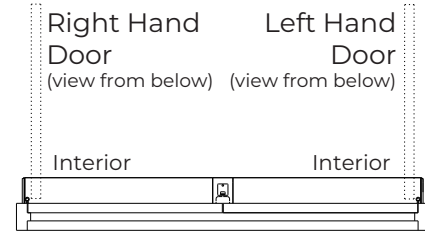
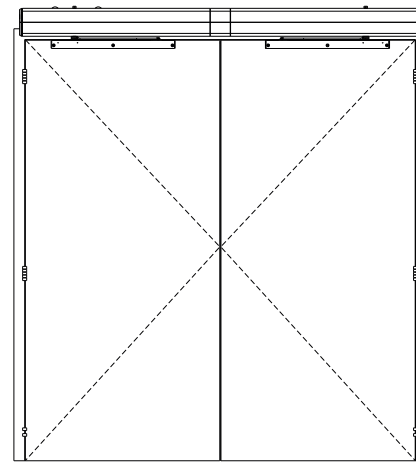
Single Pull Side



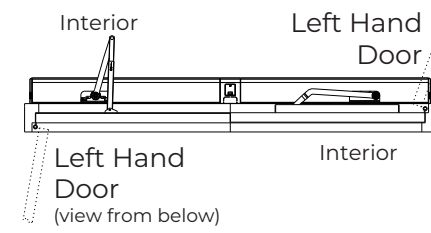
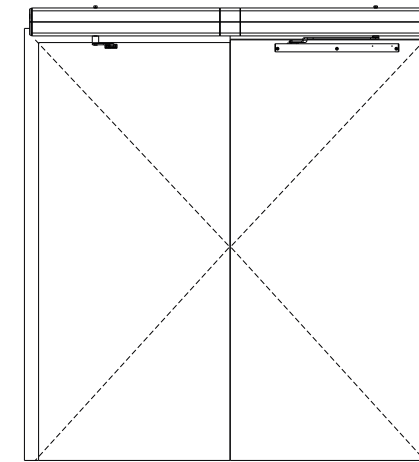
**NOTE:**  
 - All illustrations on this page  
 shown with 36" (914mm) wide  
 doors



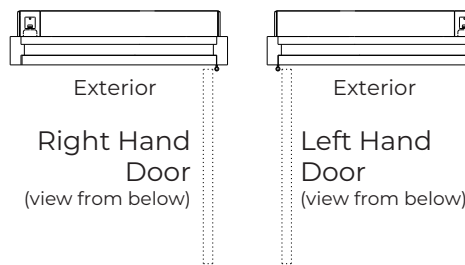
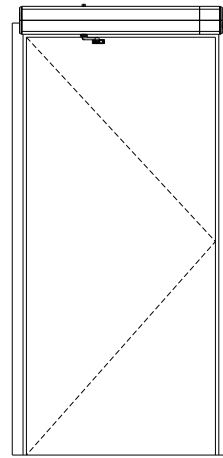
Double Door Pull Side



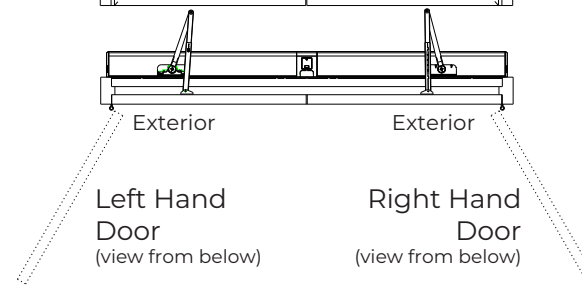
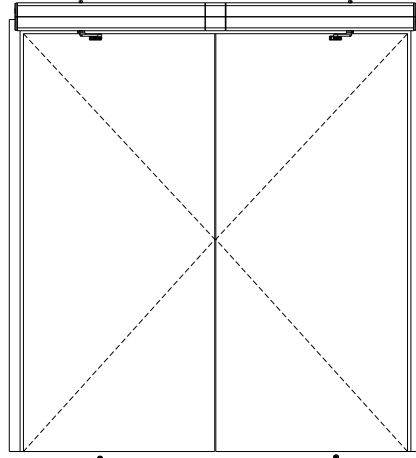
Double Door Double Egress Left Hand



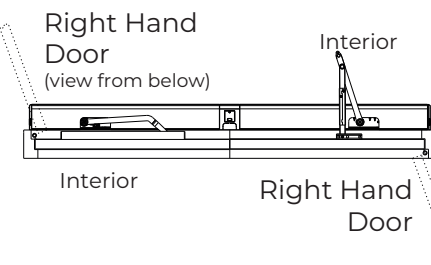
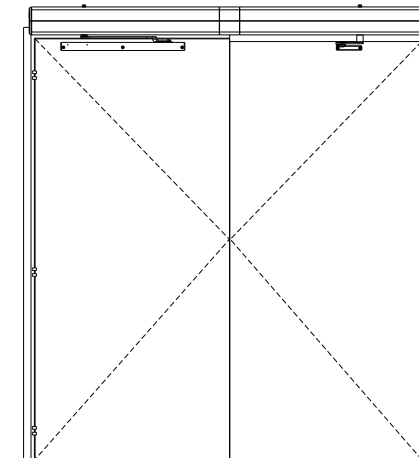
Single Push Side



Double Door Push Side

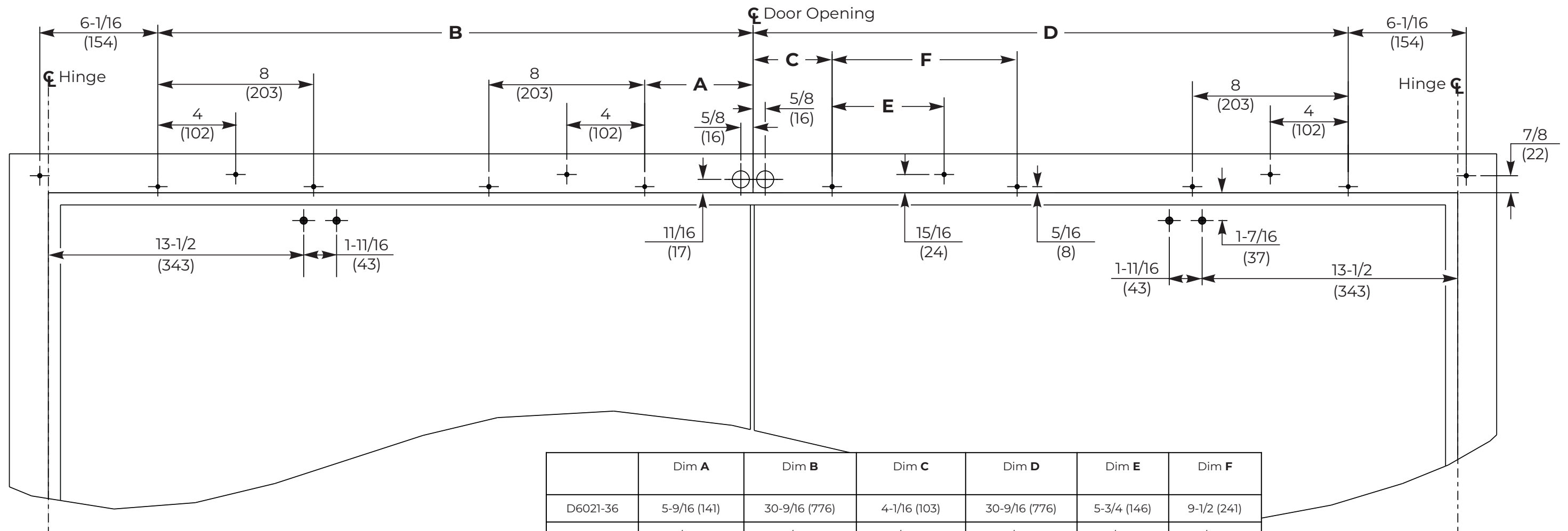


Double Door Double Egress Right Hand

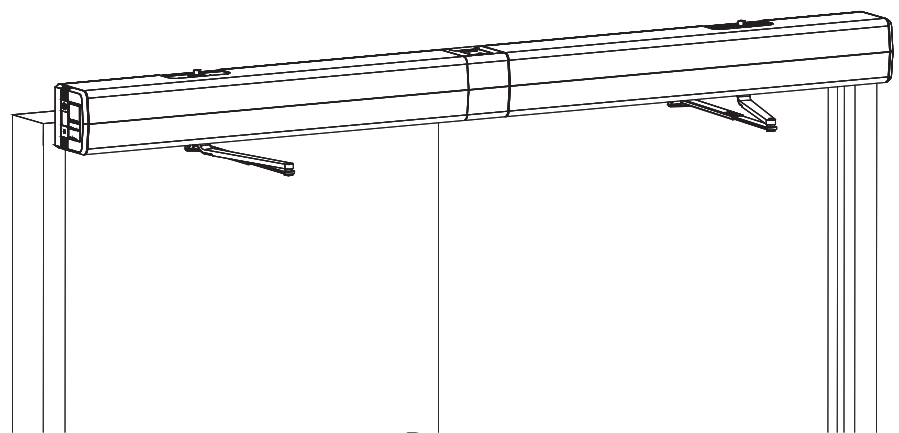


**D6021 Series Template**  
 shown on pairs of 36", 38", 40", 42", 44", 46", and 48" frames  
 shown with up to 5" Butt Hinges  
 Maximum reveal of 6-7/8" and Maximum of 110° of opening

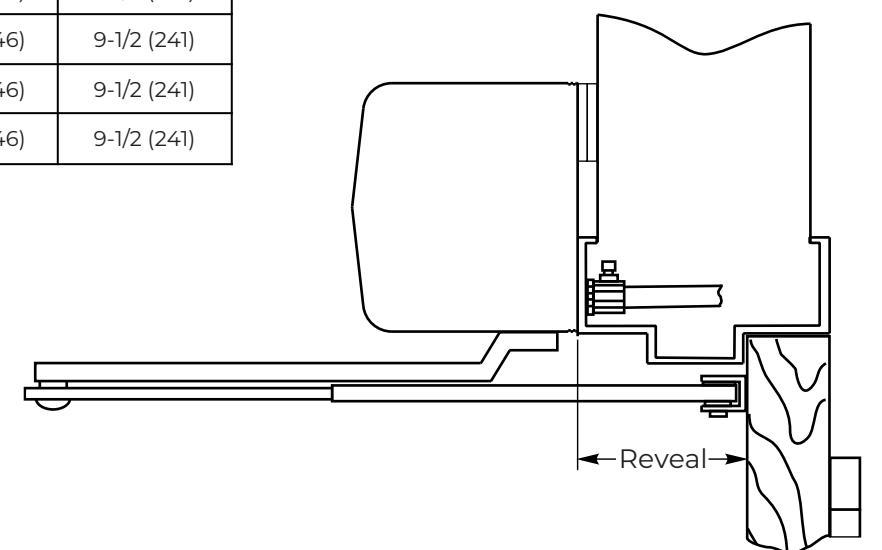
Page 2			
	TEMPLATE NUMBER 7360-1052	REV 3	DATE 05/23



	Dim A	Dim B	Dim C	Dim D	Dim E	Dim F
D6021-36	5-9/16 (141)	30-9/16 (776)	4-1/16 (103)	30-9/16 (776)	5-3/4 (146)	9-1/2 (241)
D6021-38	7-9/16 (192)	32-9/16 (827)	4-1/16 (103)	32-9/16 (827)	7-3/4 (197)	11-1/2 (292)
D6021-40	9-9/16 (243)	34-9/16 (878)	9-9/16 (243)	34-9/16 (878)	4 (102)	8 (203)
D6021-42	11-9/16 (294)	36-9/16 (929)	10-1/16 (256)	36-9/16 (929)	5-3/4 (146)	9-1/2 (241)
D6021-44	13-9/16 (344)	38-9/16 (979)	12-1/16 (306)	38-9/16 (979)	5-3/4 (146)	9-1/2 (241)
D6021-46	15-9/16 (395)	40-9/16 (1030)	14-1/16 (356)	40-9/16 (1017)	5-3/4 (146)	9-1/2 (241)
D6021-48	17-9/16 (446)	42-9/16 (1081)	16-1/16 (408)	42-9/16 (1081)	5-3/4 (146)	9-1/2 (241)



Doors  
 Open  
 Into Page



- NOTES:**
- Do not scale drawing.
  - Operator shown for push side double door application.
  - All dimensions are given in inches and millimeters.
  - Recommended thickness for reinforcements in hollow-metal doors and frames should provide a combined material thickness of .164 (4.2) MIN.
  - This template information based upon use of 5 (127) maximum width butt hinges or 3/4 (19) offset pivots.

**D6021 Series Template**  
 shown on pairs of 36", 38", 40", 42", 44", 46", and 48" frames  
 shown with up to 5" Butt Hinges  
 Maximum reveal of 6-7/8" and Maximum of 110° of opening

Page 3

**NORTON RIXSON**  
**ASSA ABLOY**

TEMPLATE NUMBER	REV	DATE
7360-1052	3	05/23