

Table A

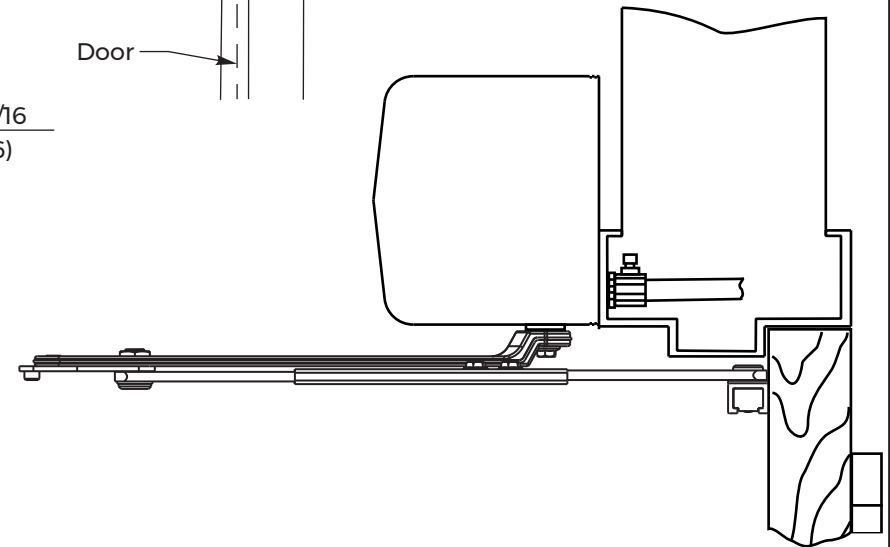
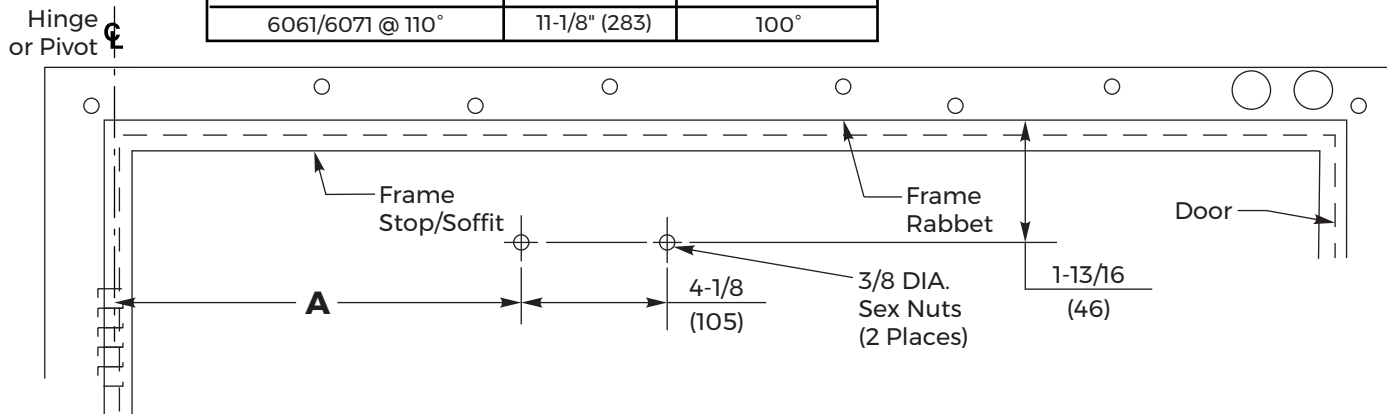
Model Being Installed	Mounted on Door Leaf Width	Installation Instruction
D6061-36 / D6071-36	38"	80-9360-1031-020
D6061-42 / D6071-42	44"	
D6061-48 / D6071-48	50"	
D6001DEL-36 / D6001DER-36	38"	80-9360-1035-020 or 80-9360-1037-030
D6001DEL-42 / D6001DER-42	44"	
D6001DEL-48 / D6001DER-48	50"	

Table B

LAP Position on Back Plate	Dim "A"	Door Opening Angle
6061/6071 @ 95°	13" (330)	85°
6061/6071 @ 100°	12-3/8" (314)	90°
6061/6071 @ 105°	11-3/4" (298)	95°
6061/6071 @ 110°	11-1/8" (283)	100°

Installation Sequence:

- Determine product being installed and door leaf width.
NOTE: for 36", 42" 48" door leaves this template is not required.
- Prep frame based on installation instructions supplied with product.
 See **Table A** for instructions.
- Determine desired degree of door opening (**100° is max door opening** with this template).
- Prep door for push side heavy duty arm based on template below and **Table B**.
- When installing Push Side LAP to heavy duty arms, use **Table B** for correct LAP position based on door opening desired.
- Continue installation using installation instructions supplied with product.



NOTES:

- Do not scale drawing.
- Left hand door shown for push side.
- Recommended thickness for reinforcements in hollow-metal doors and frames should provide a combined material thickness of .164 (4.2) MIN.
- This template information based upon use of 5 (127) maximum width butt hinges or 3/4 (19) offset pivots.
- Dimensions in inches (mm).

**D6001 Series Product with Heavy Duty Arms on Special Door Widths -
 36" product mounted on 38" leaf, 42" product on 44" leaf,
 or 48" product on 50" leaf
 100° maximum door opening**

Approved 2023-09-15



ASSA ABLOY

TEMPLATE NUMBER	REV	DATE
7360-1035	2	09/23