

**Table A**

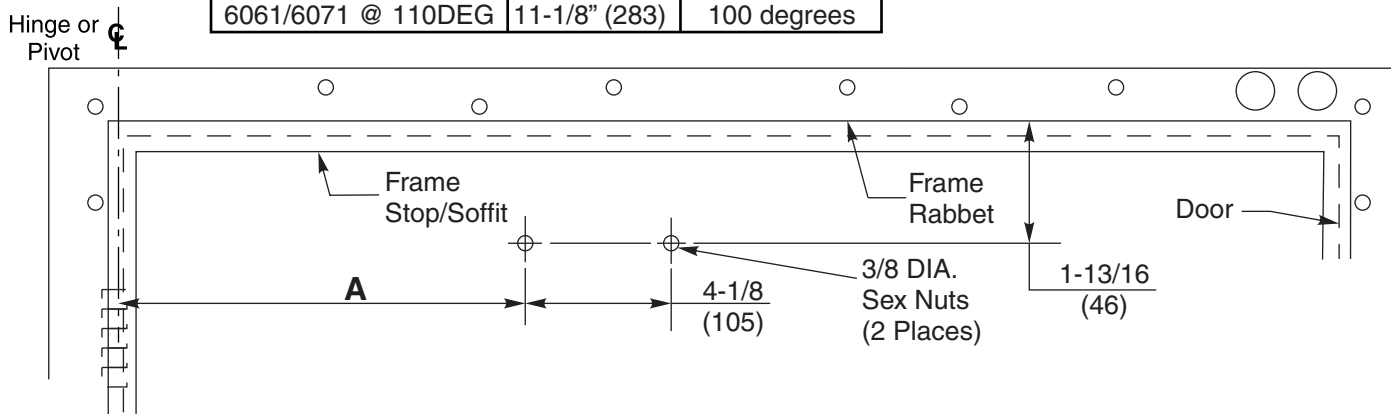
Model being installed	Mounted on Door Leaf width	Installation Instruction
D6061-36 / D6071-36	38"	80-9360-1031-020
D6061-42 / D6071-42	44"	
D6061-48 / D6071-48	50"	
D6001DEL-36 / D6001DER-36	38"	80-9360-1035-020 or
D6001DEL-42 / D6001DER-42	44"	
D6001DEL-48 / D6001DER-48	50"	80-9360-1037-030

**Table B**

LAP position on Back Plate	Dim "A"	Door Opening Angle
6061/6071 @ 95DEG	13" (330)	85 degrees
6061/6071 @ 100DEG	12-3/8" (314)	90 degrees
6061/6071 @ 105DEG	11-3/4" (298)	95 degrees
6061/6071 @ 110DEG	11-1/8" (283)	100 degrees

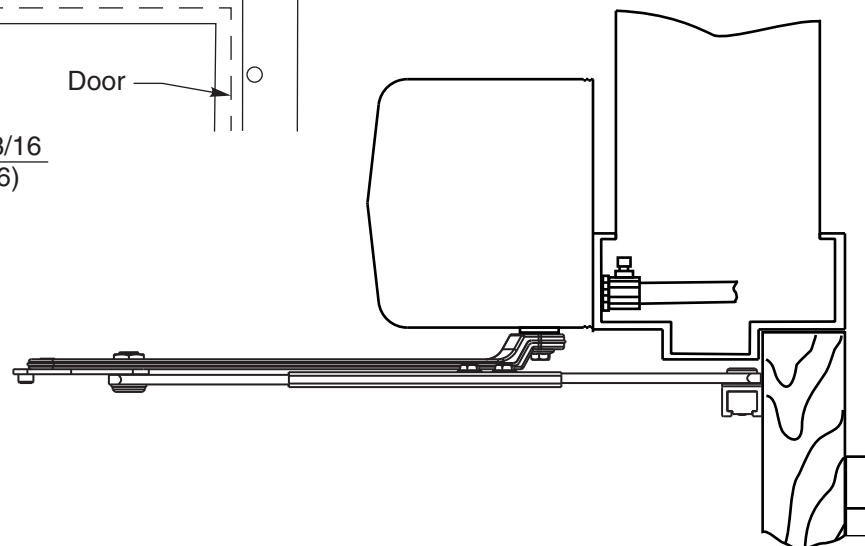
**Installation Sequence:**

1. Determine product being installed and door leaf width. Note: for 36", 42" 48" door leaves this template is not required.
2. Prep frame based on installation instructions supplied with product. See **Table A** for instructions.
3. Determine desired degree of door opening (**100 degrees is max door opening** with this template).
4. Prep door for push side heavy duty arm based on template and **Table B** below.
5. When installing Push Side LAP to heavy duty arms, use **Table B** below for correct LAP position based on door opening desired.
6. Continue installation using installation instructions supplied with product.



**Notes:**

- Do not scale drawing.
- Left hand door shown for push side.
- Recommended thickness for reinforcements in hollow-metal doors and frames should provide a combined material thickness of .164 (4.2) MIN.
- This template information based upon use of 5 (127) maximum width butt hinges or 3/4 (19) offset pivots.



**6001 Series Product Special Door Widths -  
36" product mounted on 38" leaf, 42" product on 44" leaf,  
or 48" product on 50" leaf  
100 Degrees maximum door opening**

**Norton®**

**ASSA ABLOY**

www.nortondoorcontrols.com

TEMPLATE NUMBER	REV	DATE
<b>80-7360-1035-020</b>	<b>1</b>	<b>03/20</b>