

Door Angle	Dim A
85 Deg	13-1/4" (337mm)
90 Deg	12-5/8" (320mm)
95 Deg	12" (305mm)
100 Deg	11-1/2" (292mm)
105 Deg	11-1/8" (283mm)
110 Deg	10-3/4" (273mm)

Ø3/8 (9,5)
Sex Nuts
(2 Places)

1/4-20 Machine Screws
or No. 14 Wood Screws

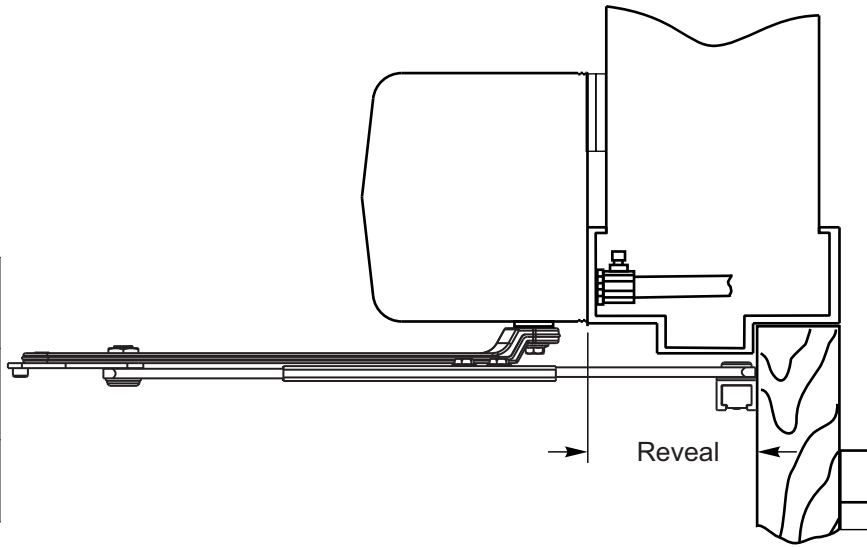
Ø7/8 (23)
For Concealed
Wired Units Only
(2 Places)
Frame
Stop/Soffit

Frame
Rabbit

Notes:

- Do not scale drawing.
- Left hand door shown for push side.
- All dimensions are given in inches and millimeters.
- Recommended thickness for reinforcements in hollow-metal doors and frames should provide a combined material thickness of .164 (4.2) MIN.
- This template information based upon use of 5 (127) maximum width butt hinges or 3/4 (19) offset pivots.

Reveal	Operator Model
2-1/4" (57mm) to 4-3/4" (121mm)	6061
4-13/16" (122mm) to 7-3/8" (187mm)	6071



**6061/6071 Series Operator Installation Template
for Push Side Mount
shown on 36" wide doors
For Reveal of 2-1/4" (57mm) to 7-3/8" (187mm)**

Norton®
ASSA ABLOY
www.nortondoorcontrols.com

TEMPLATE NUMBER	REV	DATE
80-7360-1038-020	1	05/20