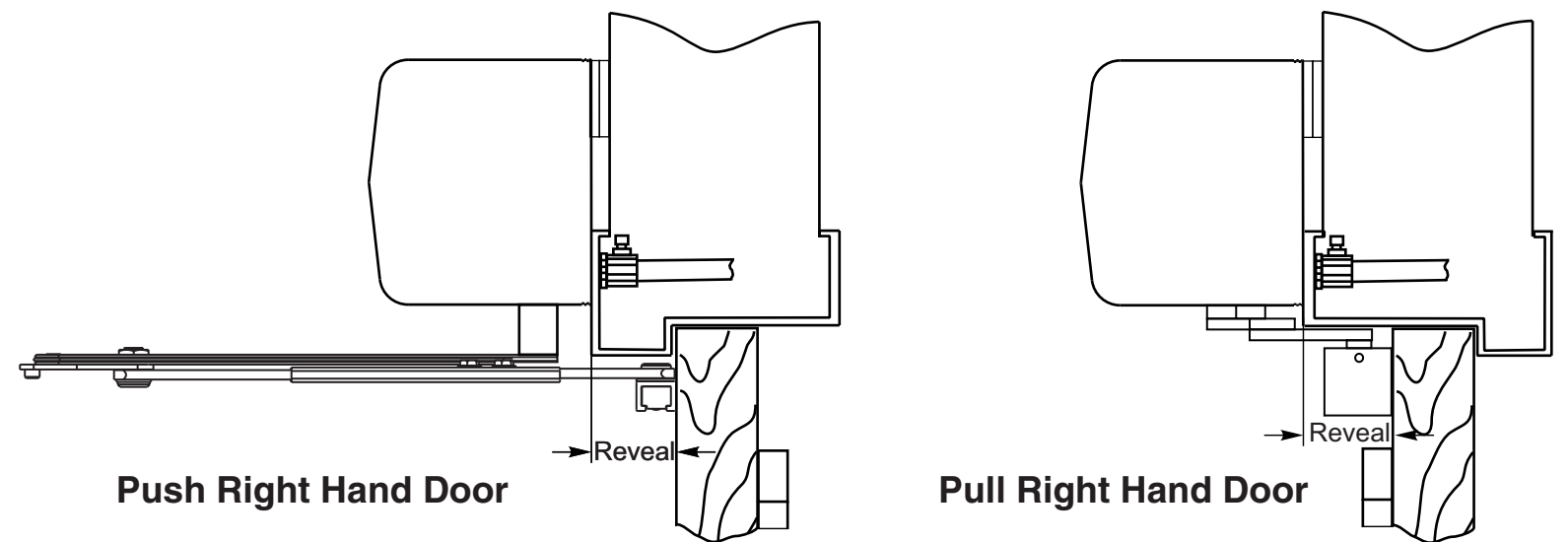
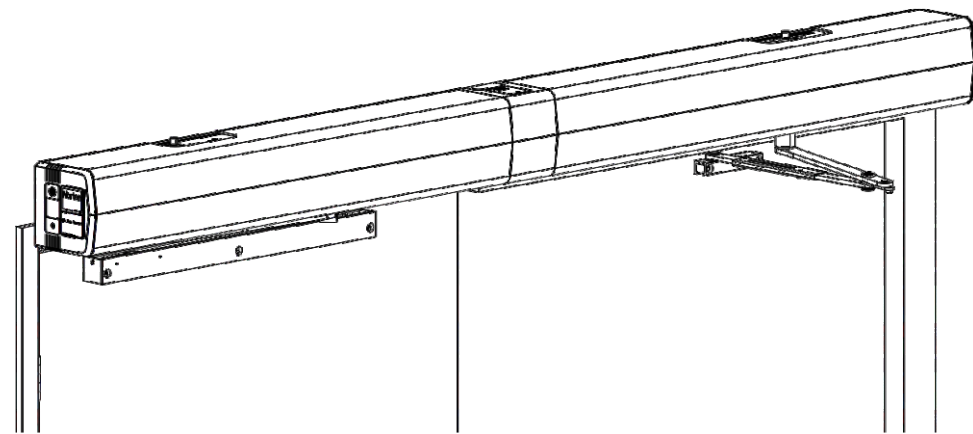


	Dim A	Dim B	Dim C	Dim D
D6001 - 36	5-9/16 (141)	30-9/16 (776)	4-1/16 (103)	30-9/16 (776)
D6001 - 42	11-9/16 (294)	36-9/16 (929)	10-1/16 (255.5)	36-9/16 (929)
D6001 - 48	17-9/16 (446)	42-9/16 (1081)	16-1/16 (408)	42-9/16 (1081)



Notes:

- Do not scale drawing.
- Operator shown for push side double door application.
- All dimensions are given in inches and millimeters.
- Recommended thickness for reinforcements in hollow-metal doors and frames should provide a combined material thickness of .164 (4.2) MIN.
- This template information based upon use of 5 (127) maximum width butt hinges or 3/4 (19) offset pivots.

D6001DE-R Series Operator Installation Template
for Double Door Double Egress Frame with Right Hand Doors
on 36" (914mm), 42" (1067mm), or 48" (1219mm) leaves (shown on 36" wide leaves)
For Reveal of 1/8" (3mm) to 3" (76mm) for Pull Side Door
and 2-1/4" (57mm) to 4-3/4" (121mm) for Push Side Door

Norton
ASSA ABLOY
www.nortondoorcontrols.com

TEMPLATE NUMBER	REV	DATE
80-7360-1042-020	1	05/20