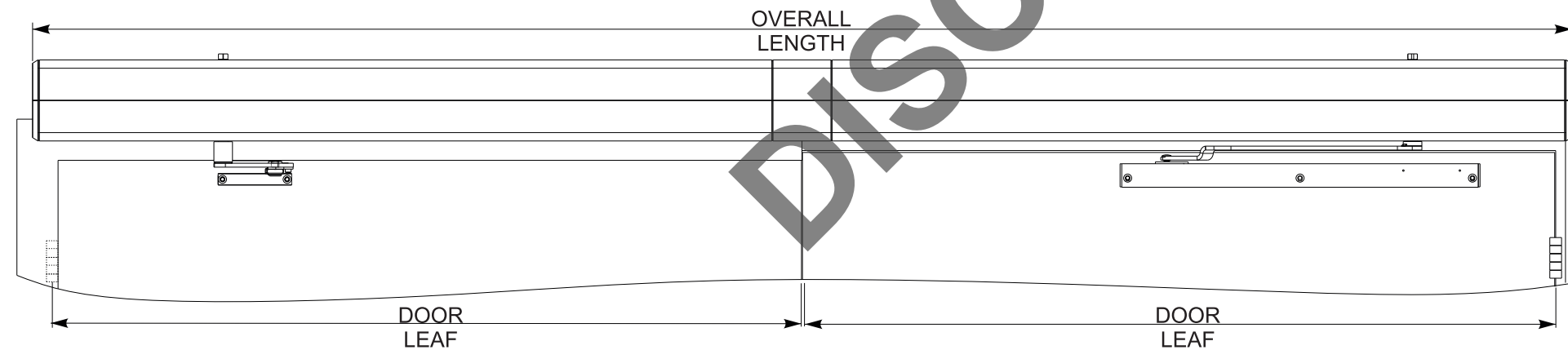
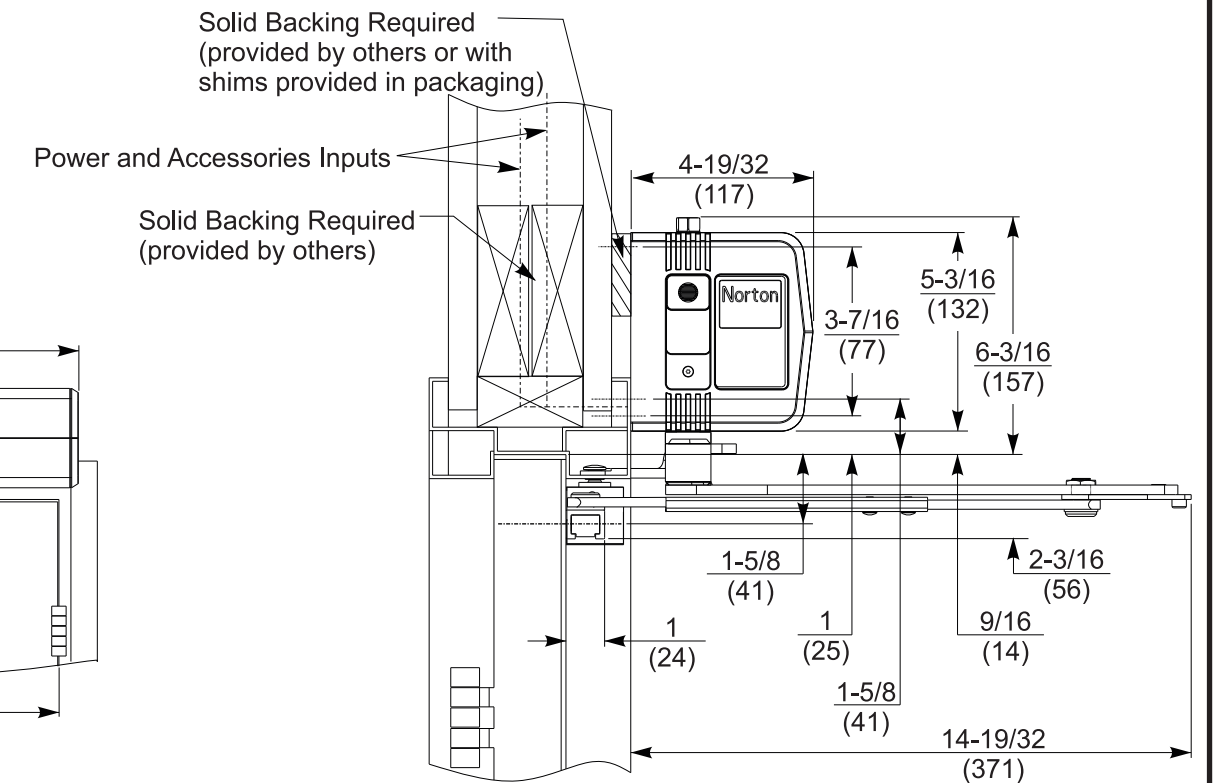


	Door Leaf Width	OAL (Overall Length)	Dim A	Dim B	Dim D
D6001DEL-36	36 (914)	74-1/4 (1886)	5-9/16 (141)	30-9/16 (776)	30-9/16 (776)
D6001DEL-38	38 (965)	78-1/4 (1988)	7-9/16 (192)	32-9/16 (827)	32-9/16 (827)
D6001DEL-40	40 (1016)	82-1/4 (2089)	9-9/16 (243)	34-9/16 (878)	34-9/16 (878)
D6001DEL-42	42 (1067)	86-1/4 (2191)	11-9/16 (294)	36-9/16 (929)	36-9/16 (929)
D6001DEL-44	44 (1118)	90-1/4 (2292)	13-9/16 (344)	38-9/16 (979)	38-9/16 (979)
D6001DEL-46	46 (1168)	94-1/4 (2394)	15-9/16 (395)	40-9/16 (1030)	40-9/16 (1017)
D6001DEL-48	48 (1219)	98-1/4 (2496)	17-9/16 (446)	42-9/16 (1081)	42-9/16 (1081)

Door Open Angle	Dim G
85°	13-1/4 (337)
90°	12-5/8 (320)
95°	12 (305)
100°	11-1/2 (292)
105°	11-1/8 (283)
110°	10-3/4 (273)

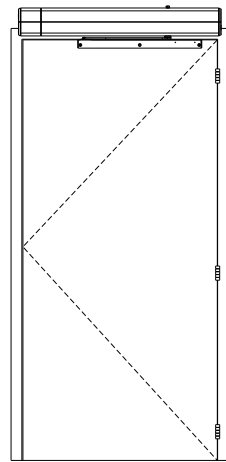


- Notes:
- Dimensions shown in inches / (mm) unless specified otherwise.
 - Electrical requirements:
 - Power input of 120VAC, 5Amp minimum
 - Accessories circuit for activation to operator and low voltage
 - For initial set up, doors must be un-latched and free to move
 - For additional installation instructions, see instruction sheet 80-9360-1037-020. Visit www.nortondoortcontrols.com
 - Refer to page 2 for proper handling of product

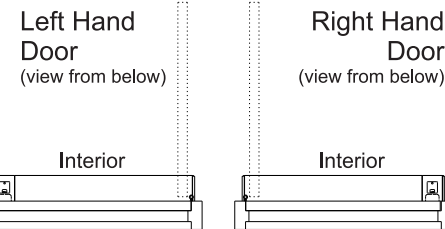
This application uses the 6051-1L arm and track for the Pull Side door and 6061-1 arm assembly for the Push Side door

<p>D6001DEL Series Template shown on pairs of 36", 38", 40", 42", 44", 46", and 48" frames shown with up to 5" Butt Hinges Reveal of up to 3" (76) on Pull and Push Side Maximum Opening of 110 degrees</p>		<p>Page 1</p>	<p>Norton ASSA ABLOY <small>www.nortondoortcontrols.com</small></p>	
<p>TEMPLATE NUMBER 80-7360-1058-020</p>			<p>REV 1</p>	<p>DATE 06/20</p>

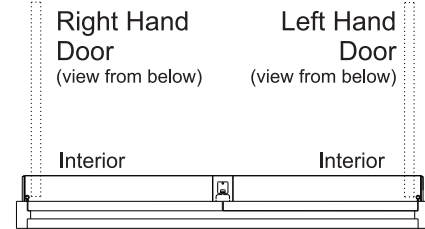
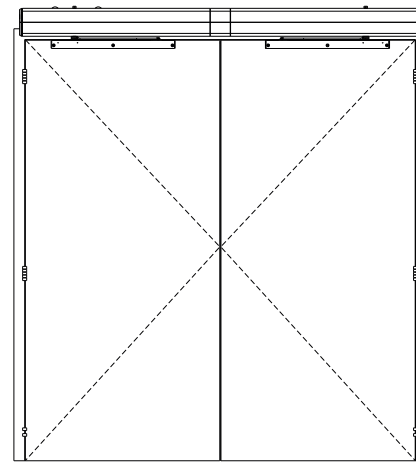
Single Pull Side



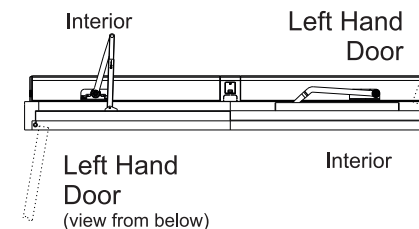
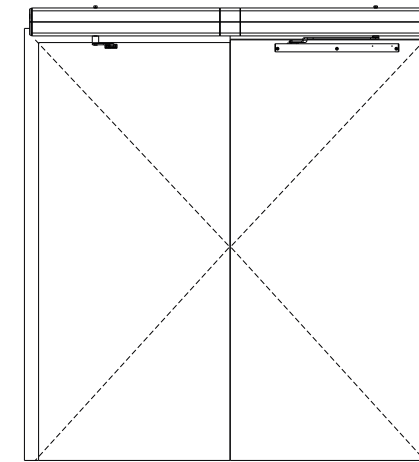
NOTE:
- All illustrations on this page shown
with 36" (914mm) wide doors



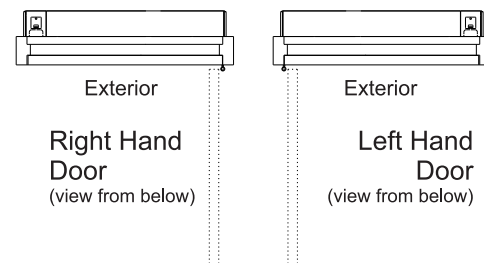
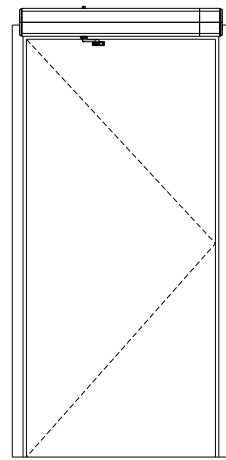
Double Door Pull Side



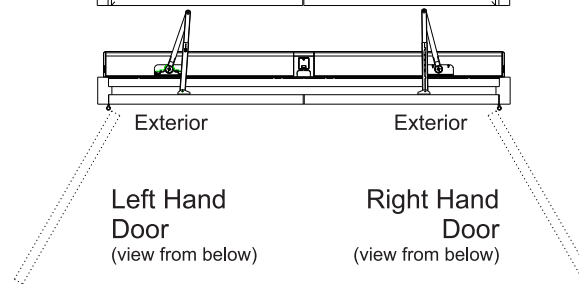
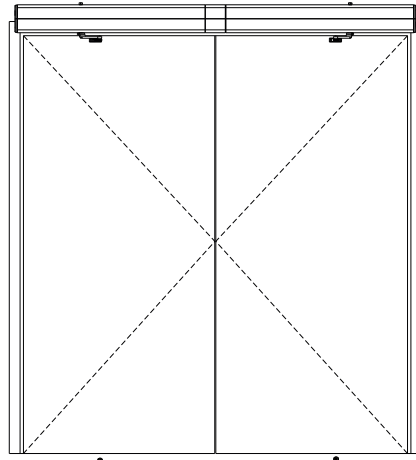
Double Door Double Egress Left Hand



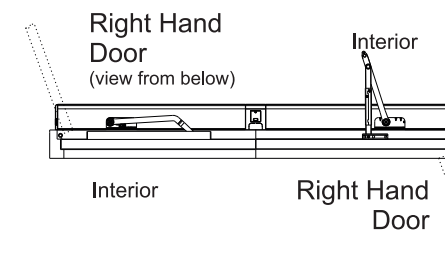
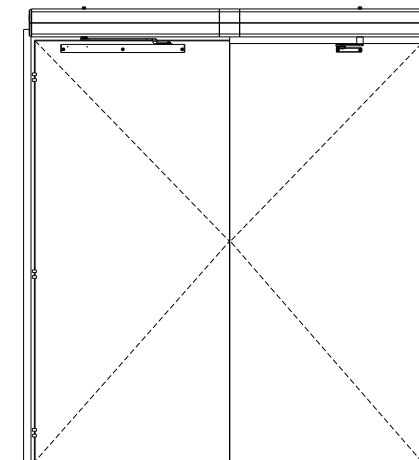
Single Push Side



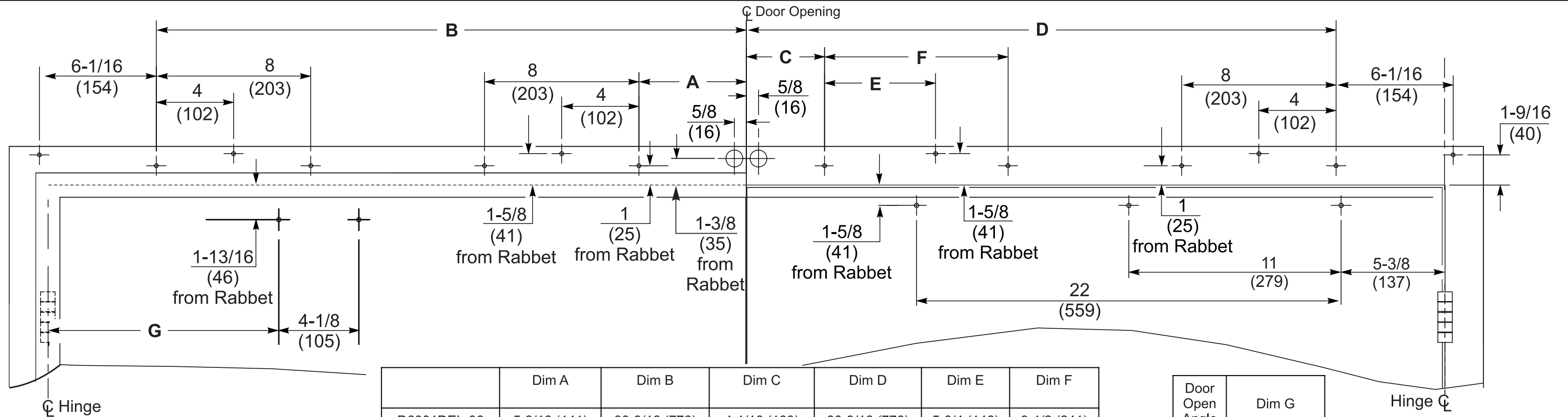
Double Door Push Side



Double Door Double Egress Right Hand

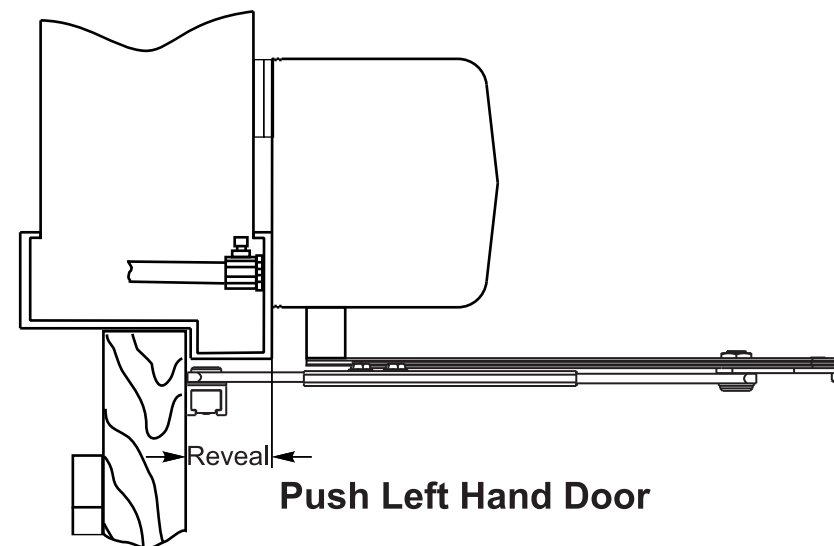
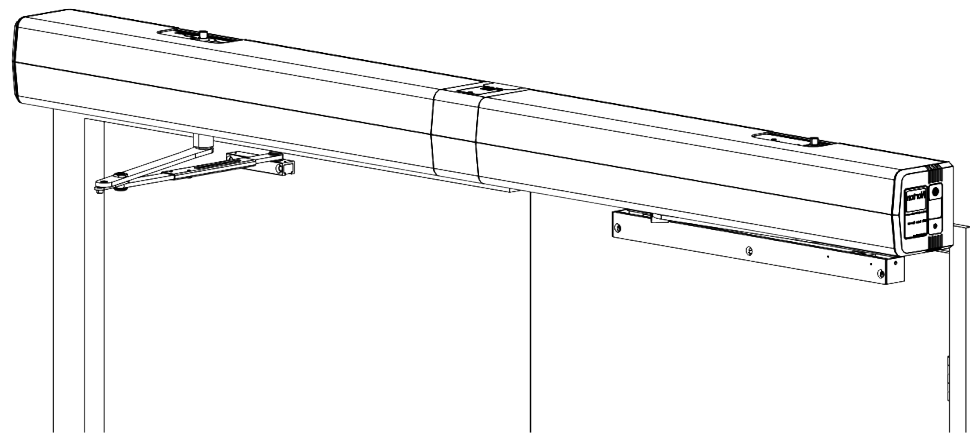


D6001DEL Series Template
shown on pairs of 36", 38", 40", 42", 44", 46", and 48" frames
shown with up to 5" Butt Hinges
Reveal of up to 3" (76) on Pull and Push Side
Maximum Opening of 110 degrees

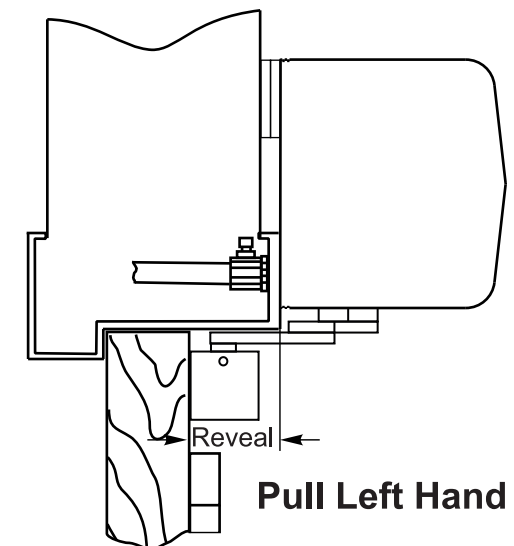


	Dim A	Dim B	Dim C	Dim D	Dim E	Dim F
D6001DEL-36	5-9/16 (141)	30-9/16 (776)	4-1/16 (103)	30-9/16 (776)	5-3/4 (146)	9-1/2 (241)
D6001DEL-38	7-9/16 (192)	32-9/16 (827)	4-1/16 (103)	32-9/16 (827)	7-3/4 (197)	11-1/2 (292)
D6001DEL-40	9-9/16 (243)	34-9/16 (878)	9-9/16 (243)	34-9/16 (878)	4 (102)	8 (203)
D6001DEL-42	11-9/16 (294)	36-9/16 (929)	10-1/16 (256)	36-9/16 (929)	5-3/4 (146)	9-1/2 (241)
D6001DEL-44	13-9/16 (344)	38-9/16 (979)	12-1/16 (306)	38-9/16 (979)	5-3/4 (146)	9-1/2 (241)
D6001DEL-46	15-9/16 (395)	40-9/16 (1030)	14-1/16 (356)	40-9/16 (1017)	5-3/4 (146)	9-1/2 (241)
D6001DEL-48	17-9/16 (446)	42-9/16 (1081)	16-1/16 (408)	42-9/16 (1081)	5-3/4 (146)	9-1/2 (241)

Door Open Angle	Dim G
85°	13-1/4 (337)
90°	12-5/8 (320)
95°	12 (305)
100°	11-1/2 (292)
105°	11-1/8 (283)
110°	10-3/4 (273)



Push Left Hand Door



Pull Left Hand Door

- Notes:**
- Do not scale drawing.
 - Operator shown for push side double door application.
 - All dimensions are given in inches and millimeters.
 - Recommended thickness for reinforcements in hollow-metal doors and frames should provide a combined material thickness of .164 (4.2) MIN.
 - This template information based upon use of 5 (127) maximum width butt hinges or 3/4 (19) offset pivots.

This application uses the 6051-1R arm and track for the Pull Side door and 6061-1 arm assembly for the Push Side door

D6001DEL Series Template
 shown on pairs of 36", 38", 40", 42", 44", 46", and 48" frames
 shown with up to 5" Butt Hinges
 Reveal of up to 3" (76) on Pull and Push Side
 Maximum Opening of 110 degrees



TEMPLATE NUMBER	REV	DATE
80-7360-1058-020	1	06/20