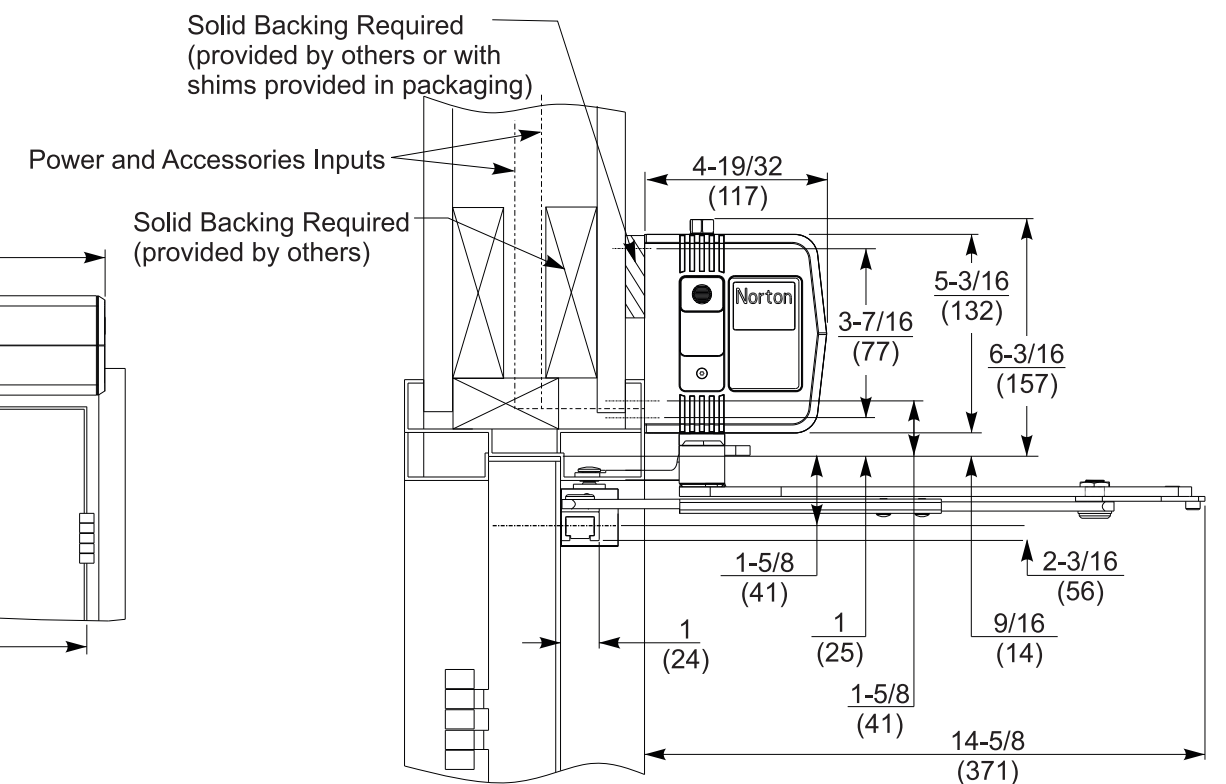
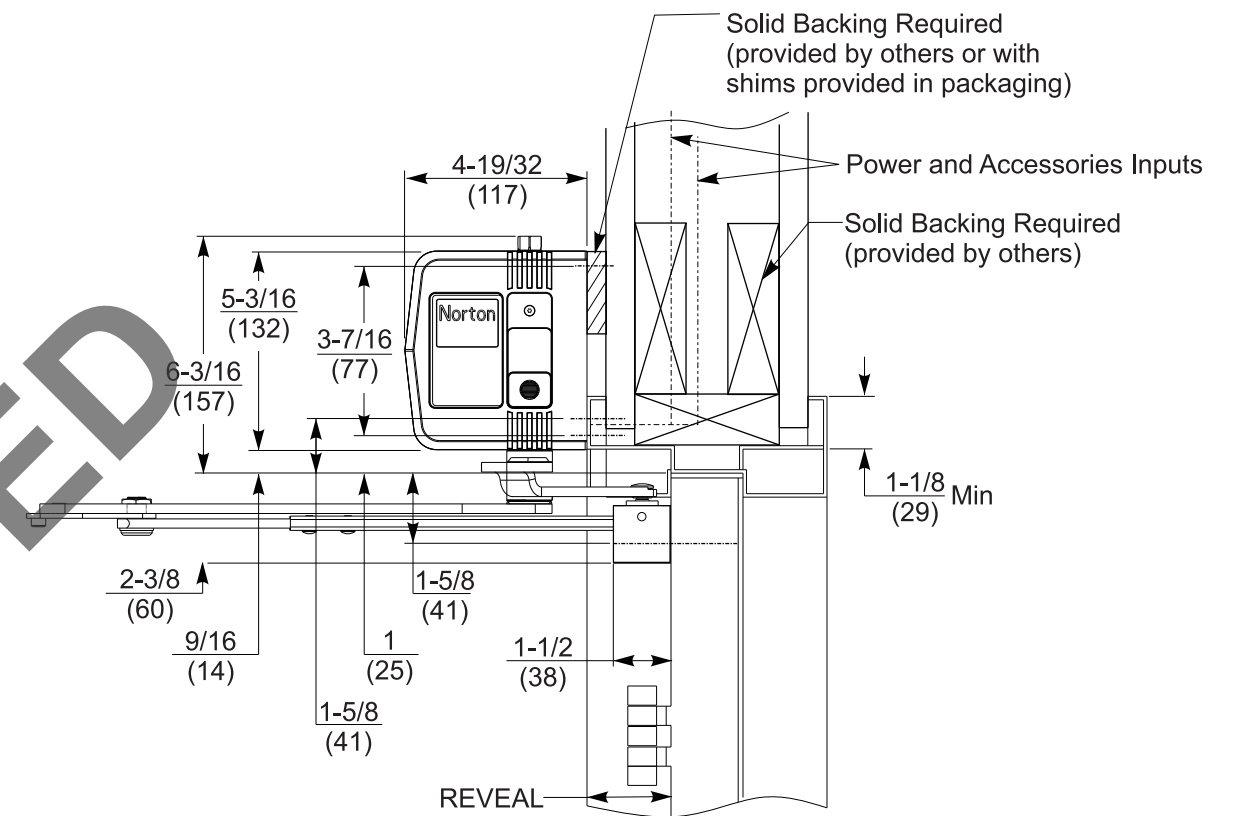
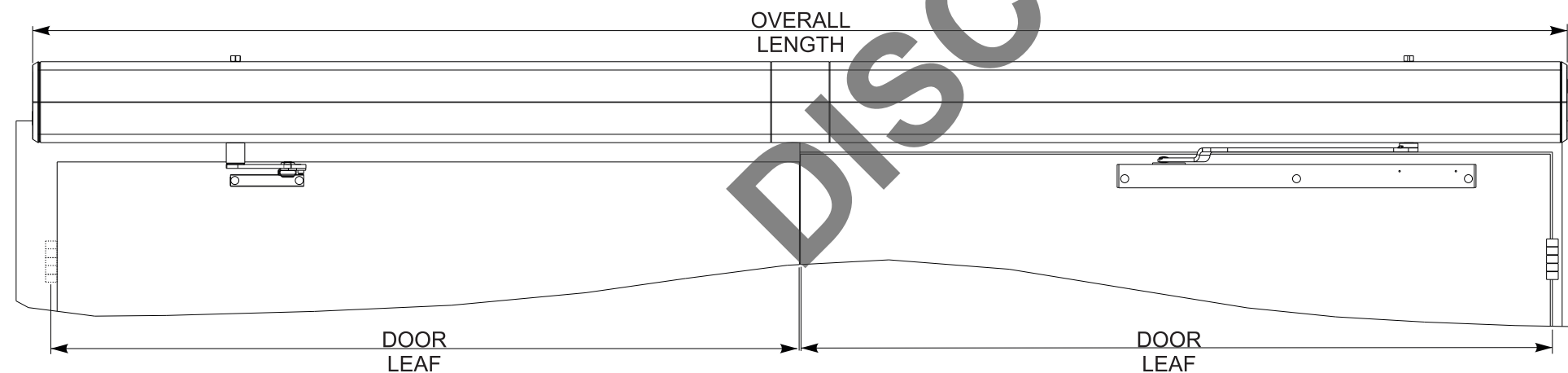


	Door Leaf Width	OAL (Overall Length)	Dim A	Dim B	Dim D
D6001DEL1-36	36 (914)	74-1/4 (1886)	5-9/16 (141)	30-9/16 (776)	30-9/16 (776)
D6001DEL1-38	38 (965)	78-1/4 (1988)	7-9/16 (192)	32-9/16 (827)	32-9/16 (827)
D6001DEL1-40	40 (1016)	82-1/4 (2089)	9-9/16 (243)	34-9/16 (878)	34-9/16 (878)
D6001DEL1-42	42 (1067)	86-1/4 (2191)	11-9/16 (294)	36-9/16 (929)	36-9/16 (929)
D6001DEL1-44	44 (1118)	90-1/4 (2292)	13-9/16 (344)	38-9/16 (979)	38-9/16 (979)
D6001DEL1-46	46 (1168)	94-1/4 (2394)	15-9/16 (395)	40-9/16 (1030)	40-9/16 (1017)
D6001DEL1-48	48 (1219)	98-1/4 (2496)	17-9/16 (446)	42-9/16 (1081)	42-9/16 (1081)

Door Open Angle	Dim G
85°	13-1/4 (337)
90°	12-5/8 (320)
95°	12 (305)
100°	11-1/2 (292)
105°	11-1/8 (283)
110°	10-3/4 (273)



- Notes:
- Dimensions shown in inches / (mm) unless specified otherwise.
  - Electrical requirements:
    - Power input of 120VAC, 5Amp minimum
    - Accessories circuit for activation to operator and low voltage
  - For initial set up, doors must be un-latched and free to move
  - For additional installation instructions, see instruction sheet 80-9360-1037-020. Visit [www.nortondoortcontrols.com](http://www.nortondoortcontrols.com)
  - Refer to page 2 for proper handling of product

**This application uses the 6051-2L arm and track for the Pull Side door and 6061-1 arm assembly for the Push Side door**

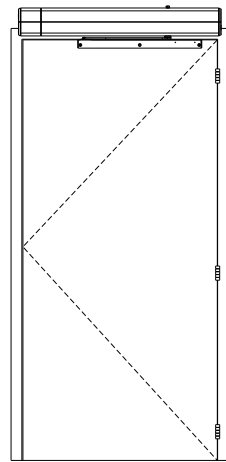
**D6001DEL1 Series Template**  
 shown on pairs of 36", 38", 40", 42", 44", 46" and 48" frames  
 shown with up to 5" Butt Hinges  
 Reveal of 3" (76) to 4-3/4" (121) on Push and Pull sides  
 Maximum Opening of 110 degrees

Page 1

**Norton**  
**ASSA ABLOY**  
 www.nortondoortcontrols.com

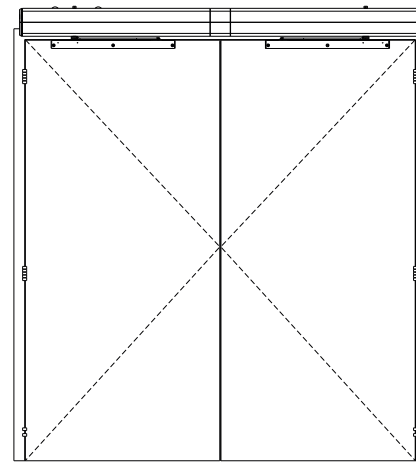
TEMPLATE NUMBER: 80-7360-1060-020  
 REV: 1  
 DATE: 10/20

Single Pull Side

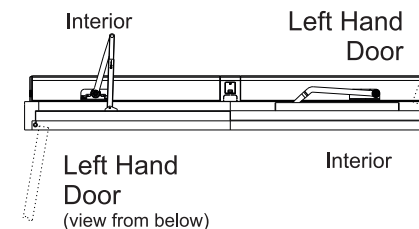
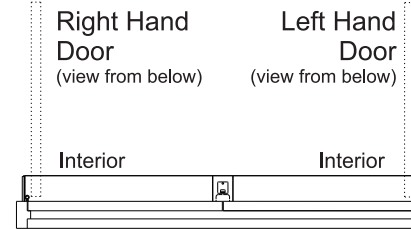
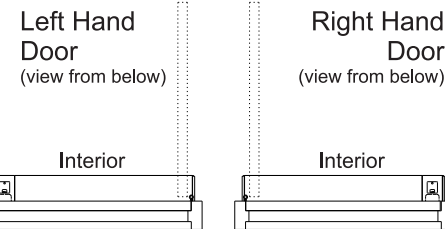
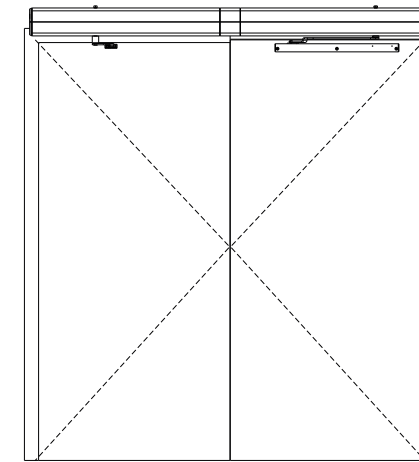


NOTE:  
- All illustrations on this page shown  
with 36" (914mm) wide doors

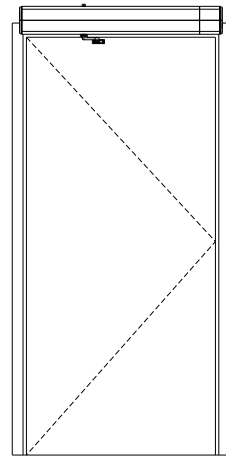
Double Door Pull Side



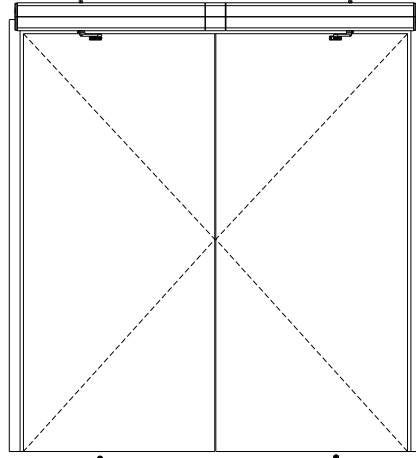
Double Door Double Egress Left Hand



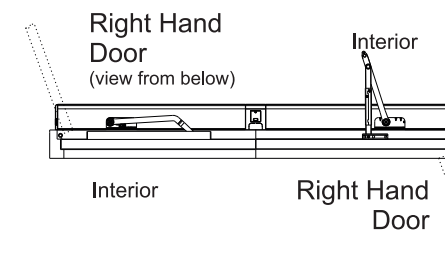
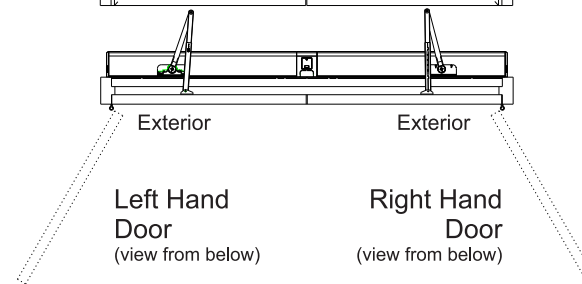
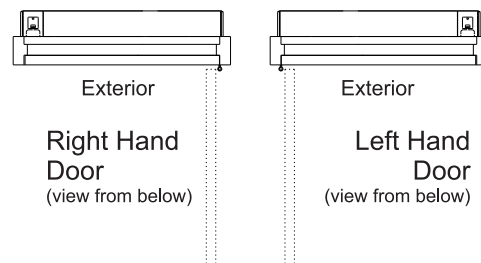
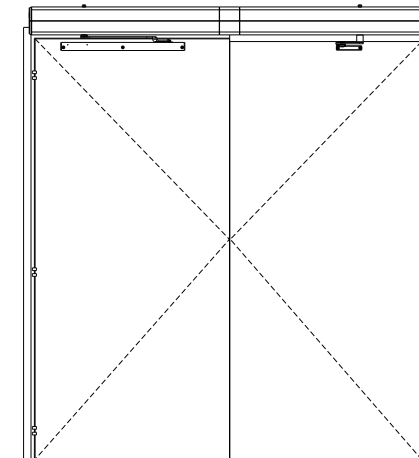
Single Push Side



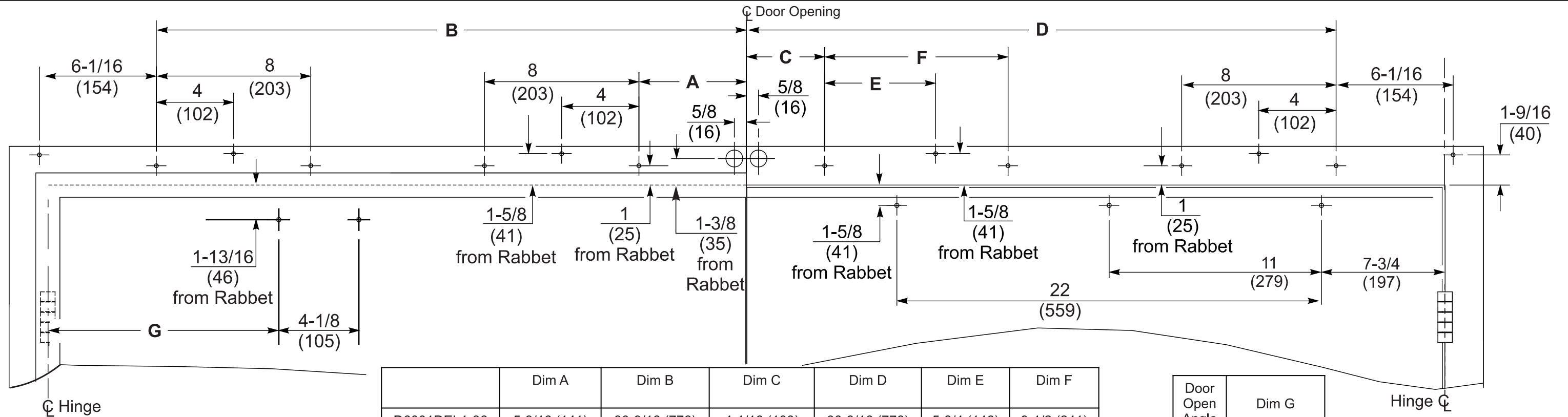
Double Door Push Side



Double Door Double Egress Right Hand

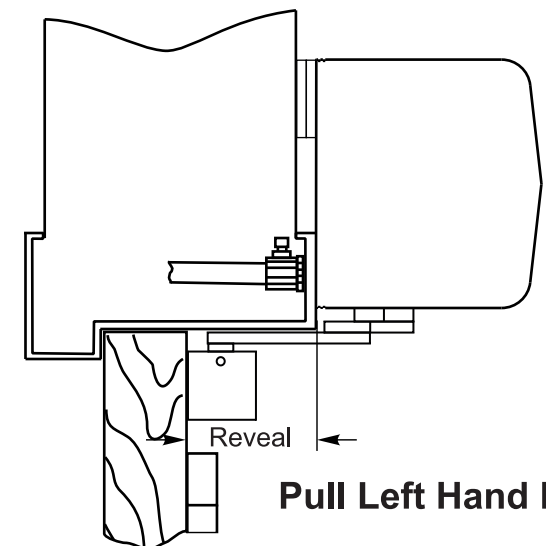
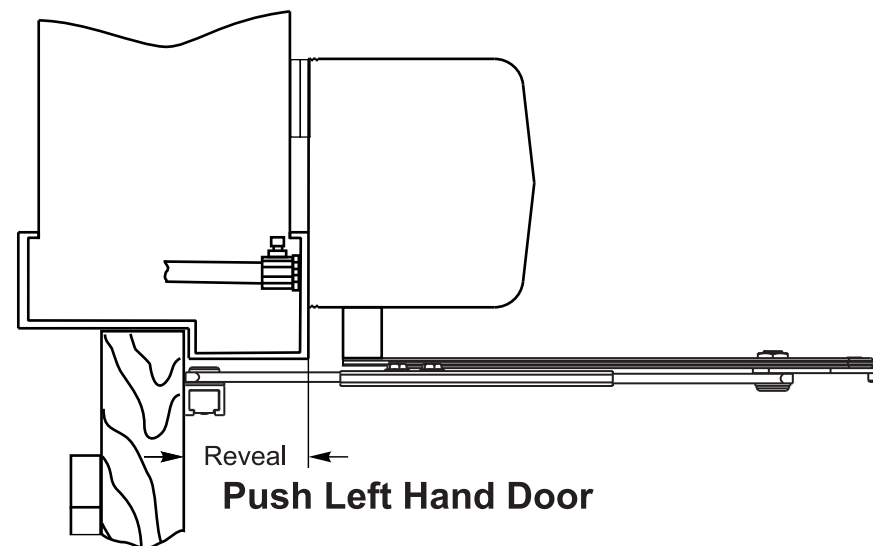
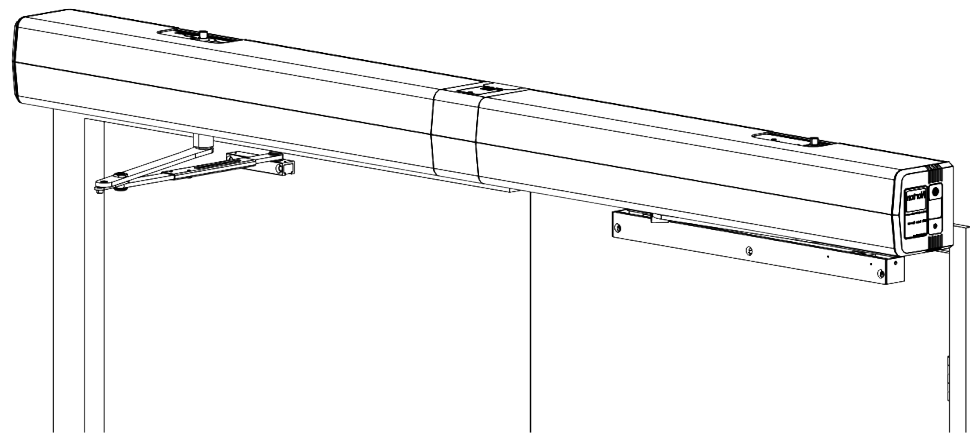


D6001DEL1 Series Template  
shown on pairs of 36", 38", 40", 42", 44", 46" and 48" frames  
shown with up to 5" Butt Hinges  
Reveal of 3" (76) to 4-3/4" (121) on Push and Pull sides  
Maximum Opening of 110 degrees



	Dim A	Dim B	Dim C	Dim D	Dim E	Dim F
D6001DEL1-36	5-9/16 (141)	30-9/16 (776)	4-1/16 (103)	30-9/16 (776)	5-3/4 (146)	9-1/2 (241)
D6001DEL1-38	7-9/16 (192)	32-9/16 (827)	4-1/16 (103)	32-9/16 (827)	7-3/4 (197)	11-1/2 (292)
D6001DEL1-40	9-9/16 (243)	34-9/16 (878)	9-9/16 (243)	34-9/16 (878)	4 (102)	8 (203)
D6001DEL1-42	11-9/16 (294)	36-9/16 (929)	10-1/16 (256)	36-9/16 (929)	5-3/4 (146)	9-1/2 (241)
D6001DEL1-44	13-9/16 (344)	38-9/16 (979)	12-1/16 (306)	38-9/16 (979)	5-3/4 (146)	9-1/2 (241)
D6001DEL1-46	15-9/16 (395)	40-9/16 (1030)	14-1/16 (356)	40-9/16 (1017)	5-3/4 (146)	9-1/2 (241)
D6001DEL1-48	17-9/16 (446)	42-9/16 (1081)	16-1/16 (408)	42-9/16 (1081)	5-3/4 (146)	9-1/2 (241)

Door Open Angle	Dim G
85°	13-1/4 (337)
90°	12-5/8 (320)
95°	12 (305)
100°	11-1/2 (292)
105°	11-1/8 (283)
110°	10-3/4 (273)



- Notes:**
- Do not scale drawing.
  - Operator shown for push side double door application.
  - All dimensions are given in inches and millimeters.
  - Recommended thickness for reinforcements in hollow-metal doors and frames should provide a combined material thickness of .164 (4.2) MIN.
  - This template information based upon use of 5 (127) maximum width butt hinges or 3/4 (19) offset pivots.

**This application uses the 6051-2L arm and track for the Pull Side door and 6061-1 arm assembly for the Push Side door**

**D6001DEL1 Series Template**  
 shown on pairs of 36", 38", 40", 42", 44", 46" and 48" frames  
 shown with up to 5" Butt Hinges  
 Reveal of 3" (76) to 4-3/4" (121) on Push and Pull sides  
 Maximum Opening of 110 degrees

**Norton**  
**ASSA ABLOY**  
 www.nortondoortcontrols.com

TEMPLATE NUMBER	REV	DATE
80-7360-1060-020	1	10/20