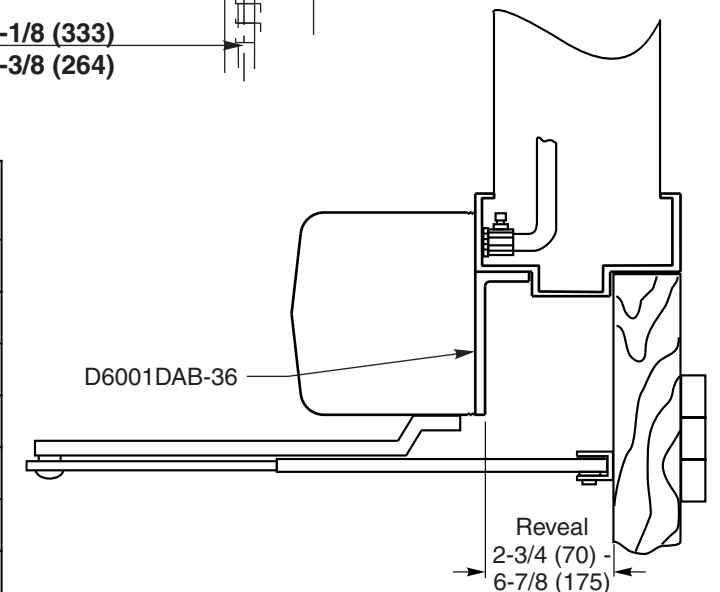


- Notes:**
- Do not scale drawing.
 - Doors shown for push side.
 - All dimensions are given in inches and millimeters.
 - Recommended thickness for reinforcements in hollow-metal doors and frames should provide a combined material thickness of .164 (4.2) MIN.
 - This template information based upon use of 5 (127) maximum width butt hinges or 3/4 (19) offset pivots.



Door Width	Dim A	Dim B	Dim C	Dim D	Dim E	Dim F	Dim G	Dim H	Dim J	Dim K	Dim L	Dim M
36 (914)	4-1/16 (102)	30-9/16 (776)	5-9/16 (141)	30-9/16 (776)	4-1/4 (108)	8 (203)	5-1/2 (140)	9-1/2 (241)	8-5/8 (204)	8-5/8 (204)	3/4 (19)	13/16 (21)
38 (965)	4-1/16 (102)	32-9/16 (827)	7-9/16 (192)	32-9/16 (827)	4-1/4 (108)	8 (203)	7-1/2 (203)	11-1/2 (292)	9-1/8 (232)	9-1/8 (232)	13/16 (21)	13/16 (21)
40 (1016)	9-11/16 (246)	34-9/16 (878)	9-9/16 (243)	34-9/16 (878)	4 (102)	8 (203)	3-7/8 (77)	7-7/8 (179)	7-3/4 (197)	7-7/8 (200)	5/8 (16)	5/8 (16)
42 (1067)	10-1/16 (256)	36-9/16 (929)	11-9/16 (294)	36-9/16 (929)	4-1/4 (108)	8 (203)	5-1/2 (140)	9-1/2 (241)	8 (203)	8-1/4 (210)	15/16 (24)	15/16 (24)
44 (1118)	12-1/16 (306)	38-9/16 (979)	13-9/16 (344)	38-9/16 (979)	4-1/4 (108)	8 (203)	5-1/2 (140)	9-1/2 (241)	8-1/2 (216)	8-1/4 (210)	7/8 (22)	7/8 (22)
46 (1168)	14-1/16 (357)	40-9/16 (1030)	15-9/16 (395)	40-9/16 (1017)	4-1/4 (108)	8 (203)	5-1/2 (140)	9-1/2 (241)	9 (229)	8-3/4 (222)	5/8 (16)	5/8 (16)
48 (1219)	16-1/16 (408)	42-9/16 (1081)	17-9/16 (446)	42-9/16 (1081)	4-1/4 (108)	8 (203)	5-1/2 (140)	9-1/2 (241)	9-1/4 (235)	9-1/2 (241)	13/16 (21)	13/16 (21)

D6021/D6031-XX Series Operator Installation Template
for Drop Application using D6001DAB-XX Drop Angle Bracket where XX is the Door Width
on 36" wide doors with up to 110 Degrees max opening for D6021 or
With up to 180 Degrees max opening for D6031
For Reveal of 2-3/4" (70mm) to 6-7/8" (175mm)

Norton
ASSA ABLOY
www.nortondoorcontrols.com

TEMPLATE NUMBER	REV	DATE
80-7360-1014-020	2	12/20