

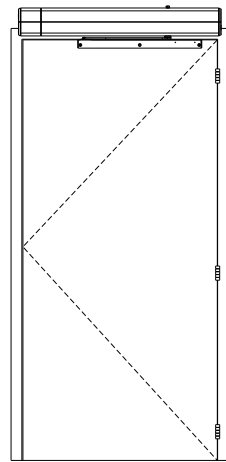
	Door Leaf Width	OAL (Overall Length)	Dim A	Dim B	Dim D
D6061-36	36 (914)	74-1/4 (1886)	5-9/16 (141)	30-9/16 (776)	30-9/16 (776)
D6061-38	38 (965)	78-1/4 (1988)	7-9/16 (192)	32-9/16 (827)	32-9/16 (827)
D6061-40	40 (1016)	82-1/4 (2089)	9-9/16 (243)	34-9/16 (878)	34-9/16 (878)
D6061-42	42 (1067)	86-1/4 (2191)	11-9/16 (294)	36-9/16 (929)	36-9/16 (929)
D6061-44	44 (1118)	90-1/4 (2292)	13-9/16 (344)	38-9/16 (979)	38-9/16 (979)
D6061-46	46 (1168)	94-1/4 (2394)	15-9/16 (395)	40-9/16 (1030)	40-9/16 (1017)
D6061-48	48 (1219)	98-1/4 (2496)	17-9/16 (446)	42-9/16 (1081)	42-9/16 (1081)

- Notes:
- Dimensions shown in inches / (mm) unless specified otherwise.
  - Electrical requirements:
    - Power input of 120VAC, 5Amp minimum
    - Accessories circuit for activation to operator and low voltage
  - For initial set up, doors must be un-latched and free to move
  - For additional installation instructions, see instruction sheet 80-9360-1031-020. Visit [www.nortondoortcontrols.com](http://www.nortondoortcontrols.com)
  - Refer to page 2 for proper handling of product

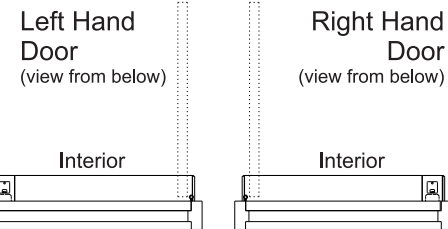
	85°	90°	95°	100°	105°	110°
Dim E	13-1/4 (337)	12-5/8 (320)	12 (305)	11-1/2 (292)	11-1/8 (283)	10-3/4 (273)

D6061 Series Template  
 shown on pairs of 36", 38", 40", 42", 44", 46", and 48" frames  
 shown with up to 5" Butt Hinges  
 Reveal of 2-1/4" to 4-3/4" and  
 Opening of 85 to 110 degrees

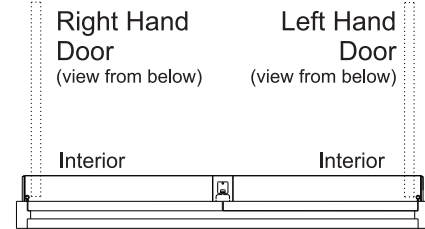
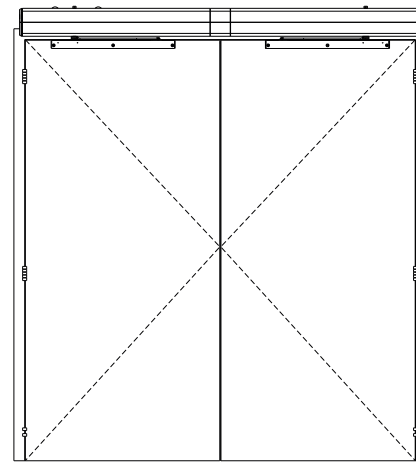
Single Pull Side



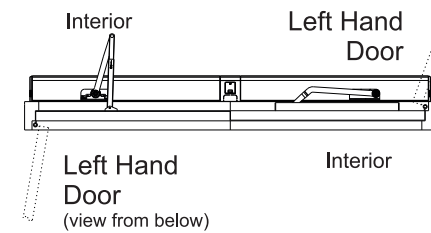
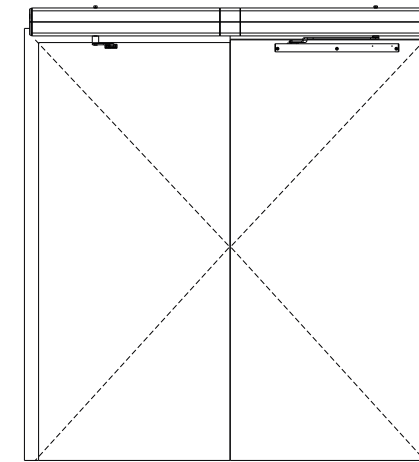
NOTE:  
- All illustrations on this page shown  
with 36" (914mm) wide doors



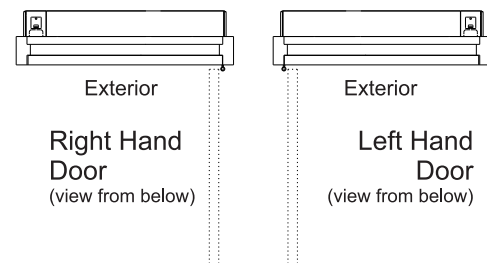
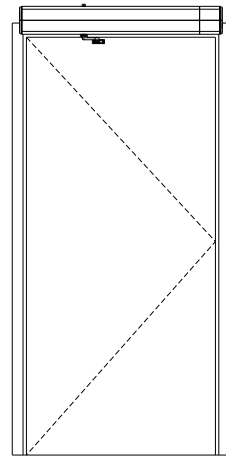
Double Door Pull Side



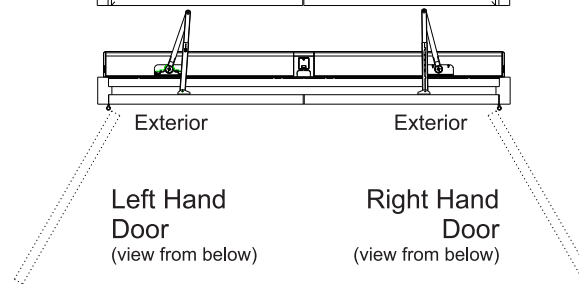
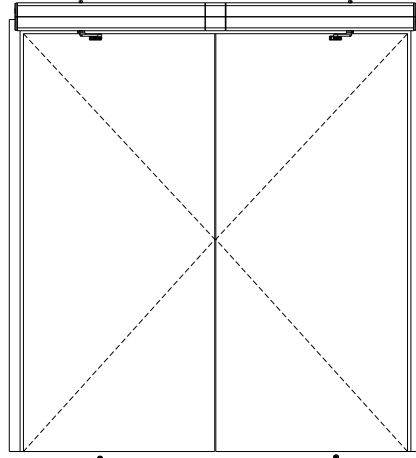
Double Door Double Egress Left Hand



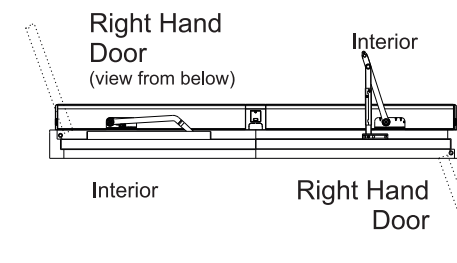
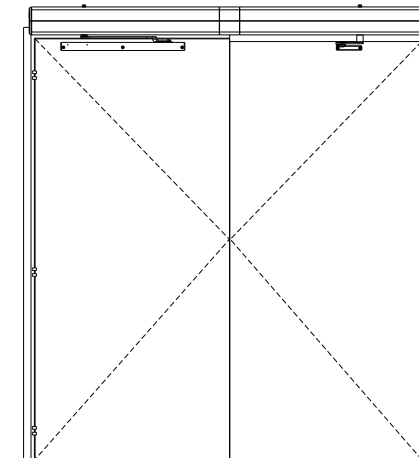
Single Push Side



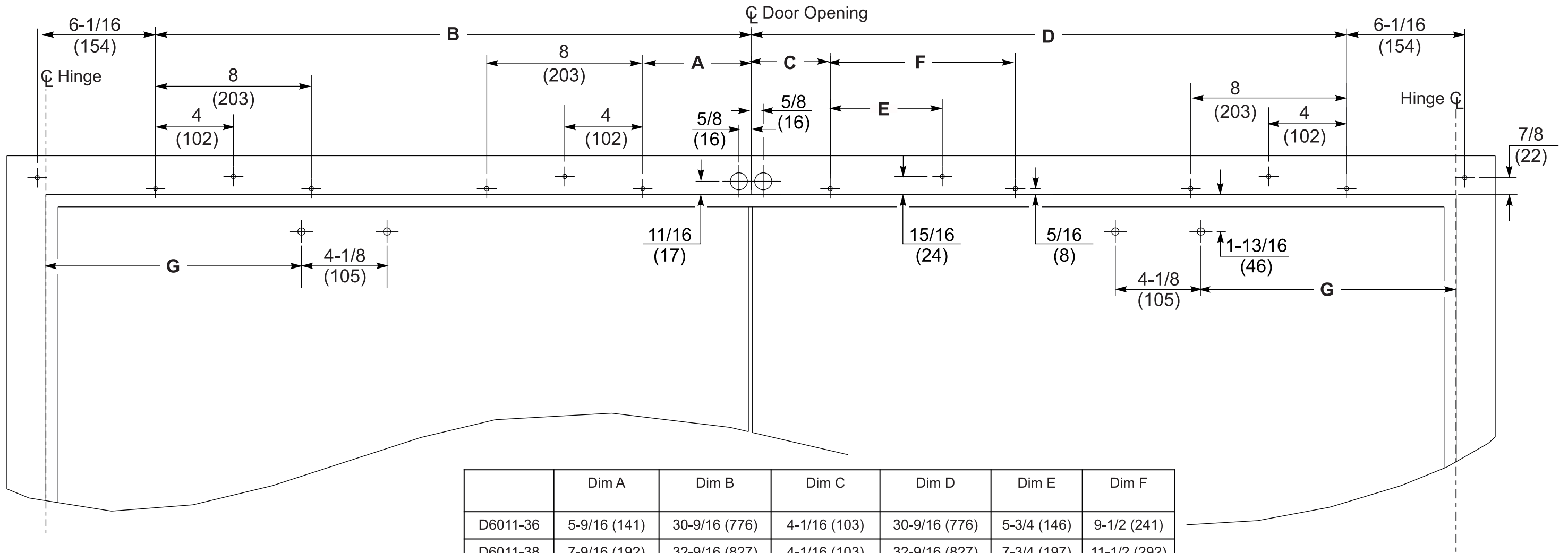
Double Door Push Side



Double Door Double Egress Right Hand

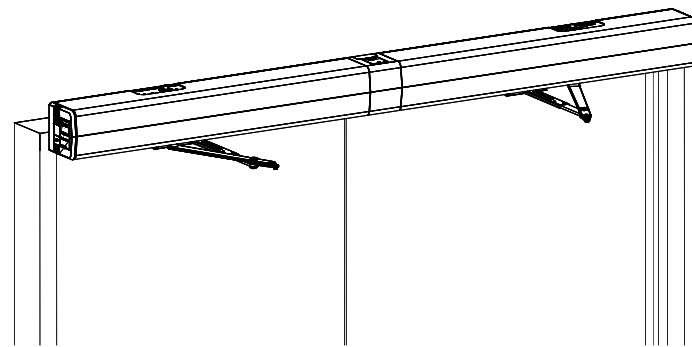


D6061 Series Template  
shown on pairs of 36", 38", 40", 42", 44", 46", and 48" frames  
shown with up to 5" Butt Hinges  
Reveal of 2-1/4" to 4-3/4" and  
Opening of 85 to 110 degrees

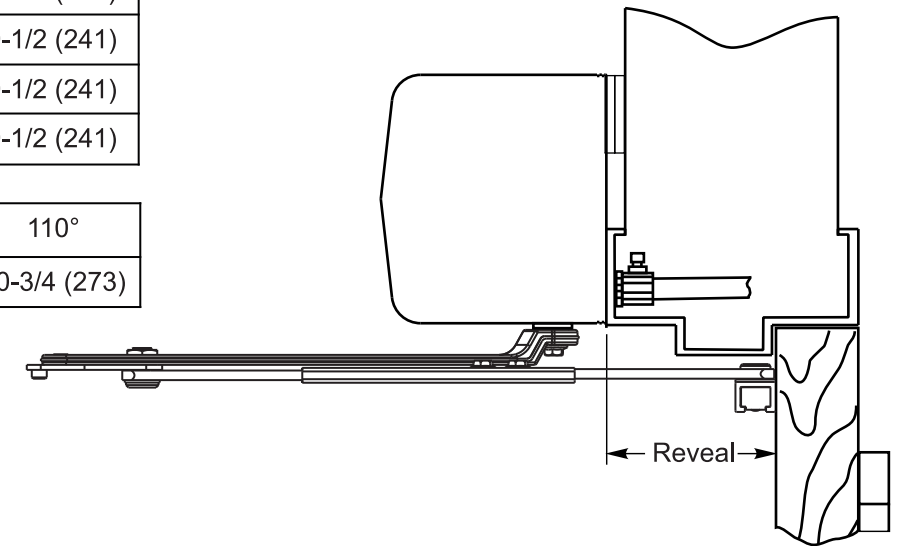


	Dim A	Dim B	Dim C	Dim D	Dim E	Dim F
D6011-36	5-9/16 (141)	30-9/16 (776)	4-1/16 (103)	30-9/16 (776)	5-3/4 (146)	9-1/2 (241)
D6011-38	7-9/16 (192)	32-9/16 (827)	4-1/16 (103)	32-9/16 (827)	7-3/4 (197)	11-1/2 (292)
D6011-40	9-9/16 (243)	34-9/16 (878)	9-9/16 (243)	34-9/16 (878)	4 (102)	8 (203)
D6011-42	11-9/16 (294)	36-9/16 (929)	10-1/16 (256)	36-9/16 (929)	5-3/4 (146)	9-1/2 (241)
D6011-44	13-9/16 (344)	38-9/16 (979)	12-1/16 (306)	38-9/16 (979)	5-3/4 (146)	9-1/2 (241)
D6011-46	15-9/16 (395)	40-9/16 (1030)	14-1/16 (356)	40-9/16 (1017)	5-3/4 (146)	9-1/2 (241)
D6011-48	17-9/16 (446)	42-9/16 (1081)	16-1/16 (408)	42-9/16 (1081)	5-3/4 (146)	9-1/2 (241)

	85°	90°	95°	100°	105°	110°
Dim G	13-1/4 (337)	12-5/8 (320)	12 (305)	11-1/2 (292)	11-1/8 (283)	10-3/4 (273)



Doors Open Into Page



- Notes:
- Do not scale drawing.
  - Operator shown for push side double door application.
  - All dimensions are given in inches and millimeters.
  - Recommended thickness for reinforcements in hollow-metal doors and frames should provide a combined material thickness of .164 (4.2) MIN.
  - This template information based upon use of 5 (127) maximum width butt hinges or 3/4 (19) offset pivots.

**D6061 Series Template**  
 shown on pairs of 36", 38", 40", 42", 44", 46", and 48" frames  
 shown with up to 5" Butt Hinges  
 Reveal of 2-1/4" to 4-3/4" and  
 Opening of 85 to 110 degrees