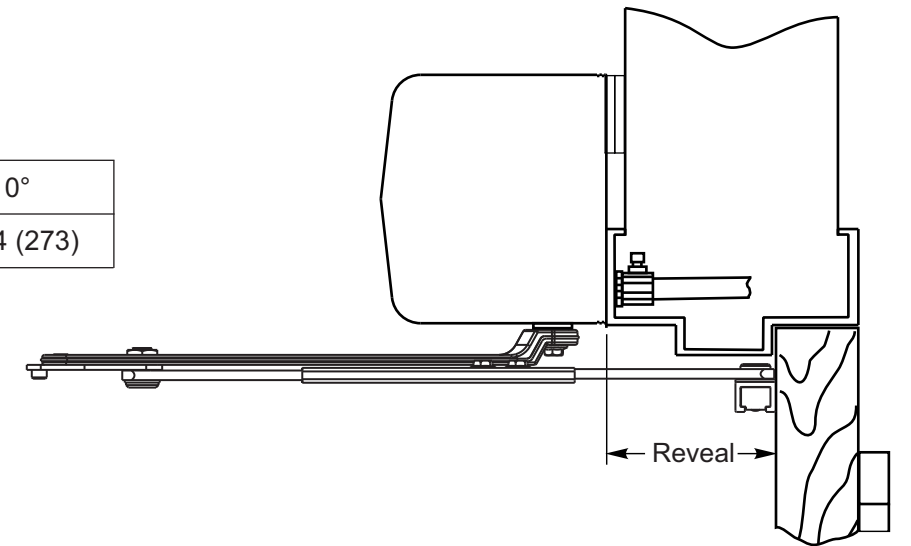


	Dim A	Dim B	Dim C	Dim D
D6061/6071 - 36	5-9/16 (141)	30-9/16 (776)	4-1/16 (103)	30-9/16 (776)
D6061/6071 - 42	11-9/16 (294)	36-9/16 (929)	10-1/16 (255.5)	36-9/16 (929)
D6061/6071 - 48	17-9/16 (446)	42-9/16 (1081)	16-1/16 (408)	42-9/16 (1081)

	85°	90°	95°	100°	105°	110°
Dim E	13-1/4 (336.5)	12-5/8 (320)	12 (305)	11-1/2 (292)	11-1/8 (282.5)	10-3/4 (273)



Notes:

- Do not scale drawing.
- Operator shown for push side double door application.
- All dimensions are given in inches and millimeters.
- Recommended thickness for reinforcements in hollow-metal doors and frames should provide a combined material thickness of .164 (4.2) MIN.
- This template information based upon use of 5 (127) maximum width butt hinges or 3/4 (19) offset pivots.

**D6061/D6071 Series Operator Installation Template
for Double Door Push Side Mount
on 36" (914mm), 42" (1067mm), or 48" (1219mm) leaves (shown on 36" wide leaves)
For Reveal of 2-1/4" (57mm) to 4-3/4" (121mm) for D6061
or 4-13/16" (122mm) to 7-3/8" (187mm) for D6071**

Norton
ASSA ABLOY
www.nortondoorcontrols.com

TEMPLATE NUMBER	REV	DATE
80-7360-1041-020	1	05/20