

Door Leaf Width	OAL (Overall Length)	Dim A	Dim B	Dim D
36 (914)	74-1/4 (1886)	5-9/16 (141)	30-9/16 (776)	30-9/16 (776)
38 (965)	78-1/4 (1988)	7-9/16 (192)	32-9/16 (827)	32-9/16 (827)
40 (1016)	82-1/4 (2089)	9-9/16 (243)	34-9/16 (878)	34-9/16 (878)
42 (1067)	86-1/4 (2191)	11-9/16 (294)	36-9/16 (929)	36-9/16 (929)
44 (1118)	90-1/4 (2292)	13-9/16 (344)	38-9/16 (979)	38-9/16 (979)
46 (1168)	94-1/4 (2394)	15-9/16 (395)	40-9/16 (1030)	40-9/16 (1017)
48 (1219)	98-1/4 (2496)	17-9/16 (446)	42-9/16 (1081)	42-9/16 (1081)

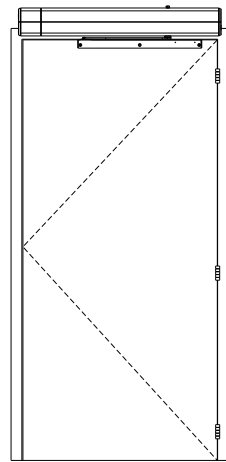
	85°	90°	95°	100°	105°	110°
Dim G	13-1/4 (337)	12-5/8 (320)	12 (305)	11-1/2 (292)	11-1/8 (283)	10-3/4 (273)

Notes:

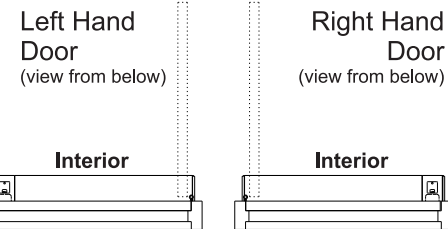
- Dimensions shown in inches / (mm) unless specified otherwise.
- Electrical requirements:
 - Power input of 120VAC, 5Amp minimum
 - Accessories circuit for activation to operator and low voltage
- For initial set up, doors must be un-latched and free to move
- For additional installation instructions, see instruction sheet 80-9360-1031-020. Visit www.nortondoorcontrols.com
- Refer to page 2 for proper handling of product

D6061/D6071 Series Template for Transom Bracket Install shown on pairs of 36", 38", 40", 42", 44", 46", and 48" frames shown with up to 5" Butt Hinges Reveal of 2-1/4" to 4-3/4" and Opening of 85 to 110 degrees

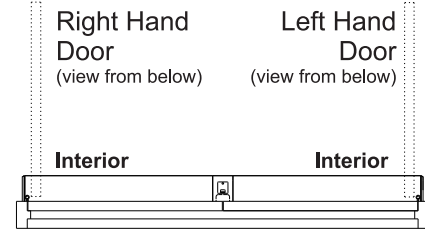
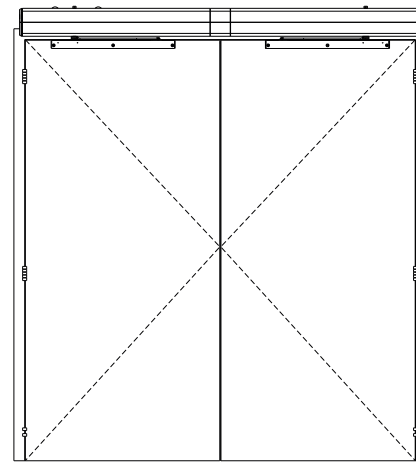
Single Pull Side



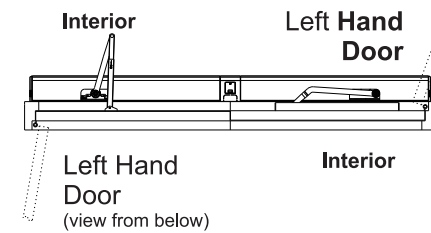
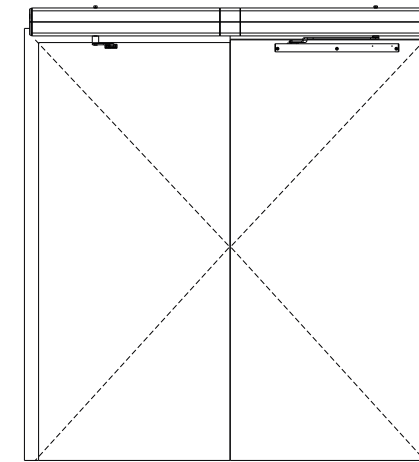
NOTE:
- All illustrations on this page shown
with 36" (914mm) wide doors



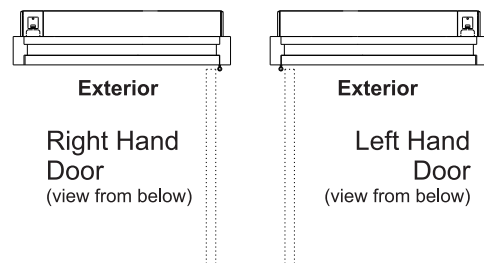
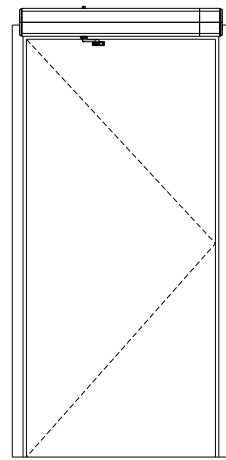
Double Door Pull Side



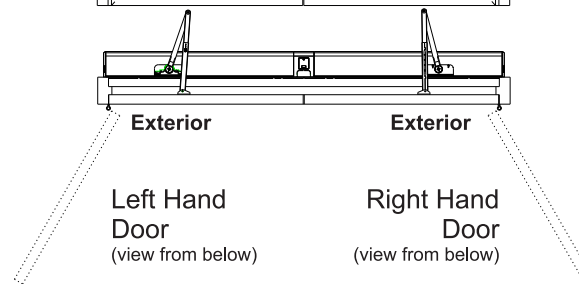
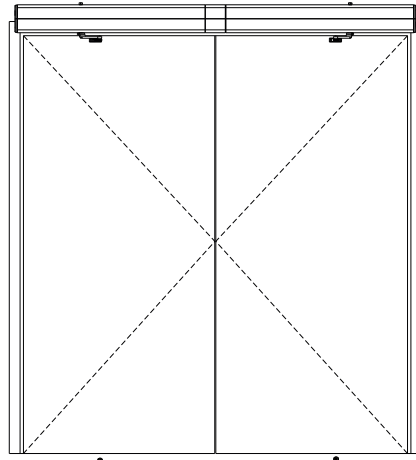
Double Door Double Egress Left Hand



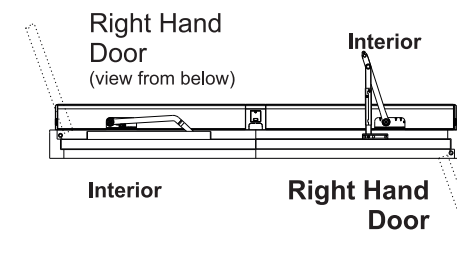
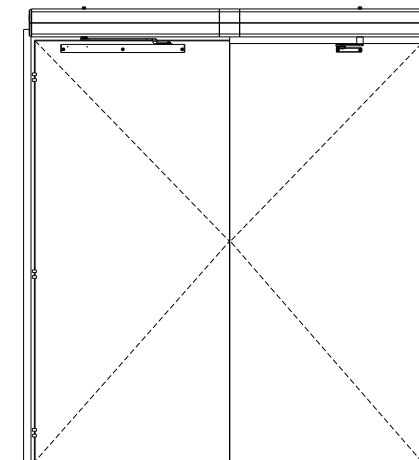
Single Push Side



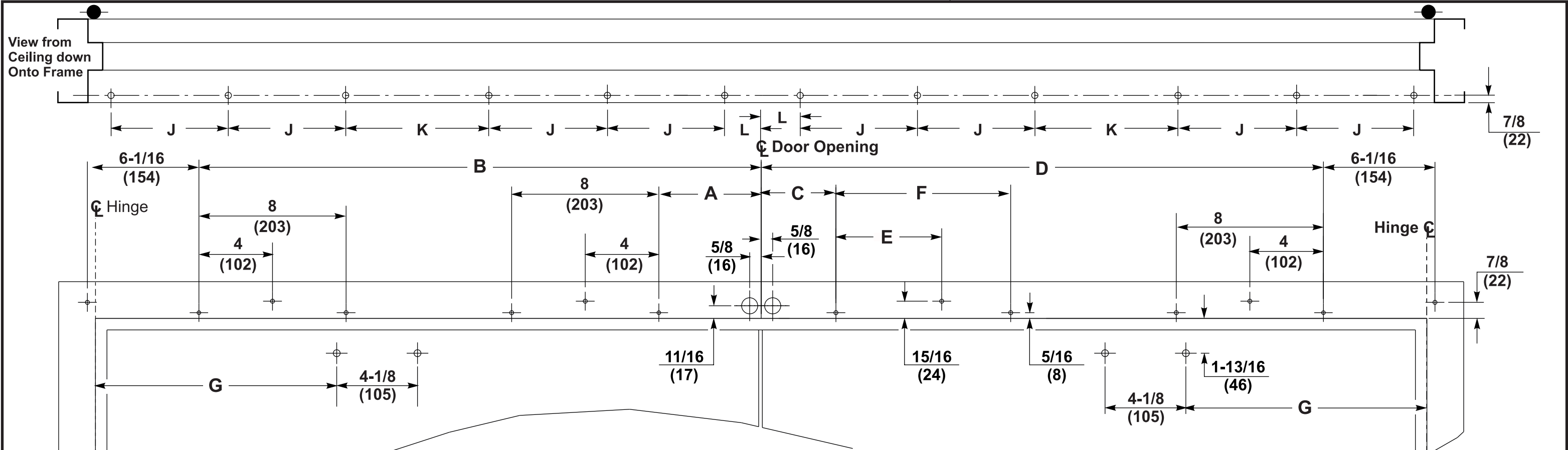
Double Door Push Side



Double Door Double Egress Right Hand



D6061/D6071 Series Template for Transom Bracket Install
shown on pairs of 36", 38", 40", 42", 44", 46", and 48" frames
shown with up to 5" Butt Hinges
Reveal of 2-1/4" to 4-3/4" and
Opening of 85 to 110 degrees

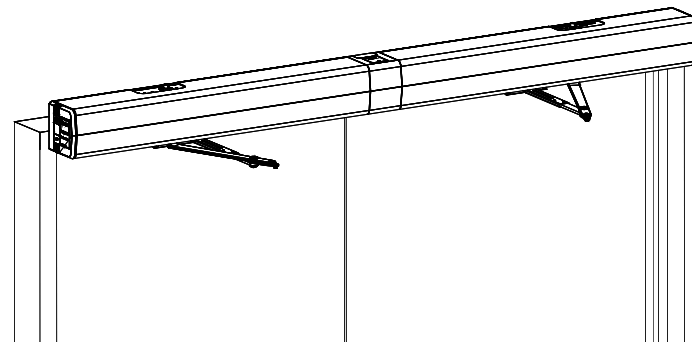


Door Width	Dim A	Dim B	Dim C	Dim D	Dim E	Dim F	Dim J	Dim K	Dim L
36 (914)	5-9/16 (141)	30-9/16 (776)	4-1/16 (103)	30-9/16 (776)	5-3/4 (146)	9-1/2 (241)	7 (178)	6-3/4 (171)	11/16 (17)
38 (965)	7-9/16 (192)	32-9/16 (827)	4-1/16 (103)	32-9/16 (827)	7-3/4 (197)	11-1/2 (292)	7-1/4 (184)	7-5/8 (194)	3/4 (19)
40 (1016)	9-9/16 (243)	34-9/16 (878)	9-9/16 (243)	34-9/16 (878)	4 (102)	8 (203)	7-3/4 (197)	7-13/16 (198)	5/8 (16)
42 (1067)	11-9/16 (294)	36-9/16 (929)	10-1/16 (256)	36-9/16 (929)	5-3/4 (146)	9-1/2 (241)	8 (203)	8-15/16 (227)	5/8 (16)
44 (1118)	13-9/16 (344)	38-9/16 (979)	12-1/16 (306)	38-9/16 (979)	5-3/4 (146)	9-1/2 (241)	8 (203)	8-5/8 (219)	5/8 (16)
46 (1168)	15-9/16 (395)	40-9/16 (1030)	14-1/16 (356)	40-9/16 (1017)	5-3/4 (146)	9-1/2 (241)	9 (229)	8-5/8 (219)	3/4 (19)
48 (1219)	17-9/16 (446)	42-9/16 (1081)	16-1/16 (408)	42-9/16 (1081)	5-3/4 (146)	9-1/2 (241)	9-1/4 (235)	9-3/4 (248)	3/4 (19)

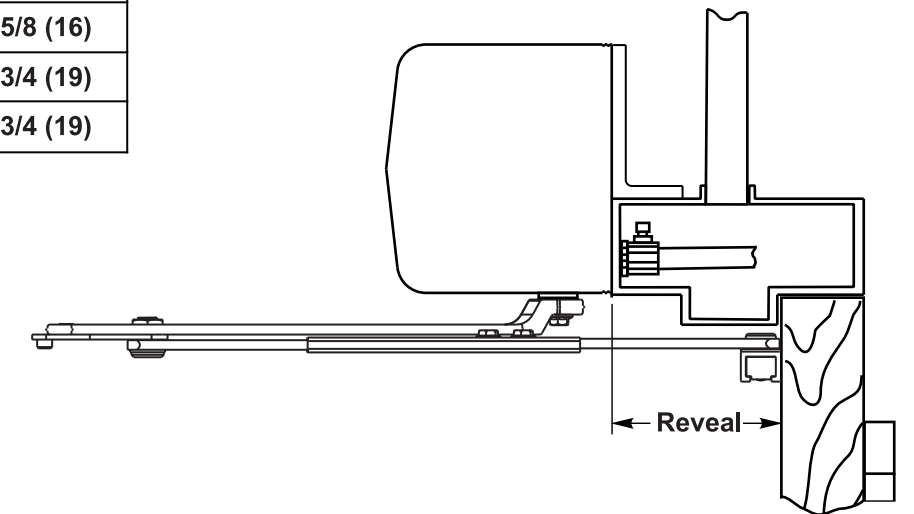
	85°	90°	95°	100°	105°	110°
Dim G	13-1/4 (337)	12-5/8 (320)	12 (305)	11-1/2 (292)	11-1/8 (283)	10-3/4 (273)

Notes:

- Do not scale drawing.
- Operator shown for push side double door application.
- All dimensions are given in inches and millimeters.
- Recommended thickness for reinforcements in hollow-metal doors and frames should provide a combined material thickness of .164 (4.2) MIN.
- This template information based upon use of 5 (127) maximum width butt hinges or 3/4 (19) offset pivots.



Doors Open Into Page



D6061/D6071 Series Template for Transom Bracket Install shown on pairs of 36", 38", 40", 42", 44", 46", and 48" frames shown with up to 5" Butt Hinges Reveal of 2-1/4" to 4-3/4" and Opening of 85 to 110 degrees