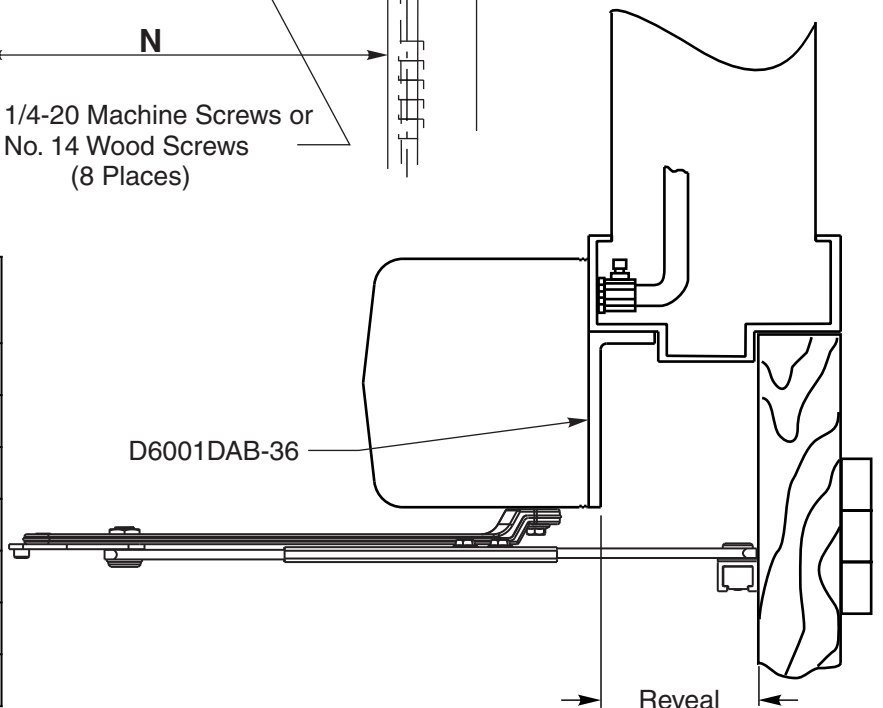


Reveal	Operator Model
2-1/4" (57mm) to 4-3/4" (121mm)	D6061
4-13/16" (122mm) to 7-3/8" (187mm)	D6071

Door Angle	Dim N
85 Deg	13-1/4" (337mm)
90 Deg	12-5/8" (320mm)
95 Deg	12" (305mm)
100 Deg	11-1/2" (292mm)
105 Deg	11-1/8" (283mm)
110 Deg	10-3/4" (273mm)

Door Width	Dim A	Dim B	Dim C	Dim D	Dim E	Dim F	Dim G	Dim H	Dim J	Dim K	Dim L	Dim M
36 (914)	4-1/16 (102)	30-9/16 (776)	5-9/16 (141)	30-9/16 (776)	4-1/4 (108)	8 (203)	5-1/2 (140)	9-1/2 (241)	8-5/8 (204)	8-5/8 (204)	3/4 (19)	13/16 (21)
38 (965)	4-1/16 (102)	32-9/16 (827)	7-9/16 (192)	32-9/16 (827)	4-1/4 (108)	8 (203)	7-1/2 (203)	11-1/2 (292)	9-1/8 (232)	9-1/8 (232)	13/16 (21)	13/16 (21)
40 (1016)	9-11/16 (246)	34-9/16 (878)	9-9/16 (243)	34-9/16 (878)	4 (102)	8 (203)	3-7/8 (77)	7-7/8 (179)	7-3/4 (197)	7-7/8 (200)	5/8 (16)	5/8 (16)
42 (1067)	10-1/16 (256)	36-9/16 (929)	11-9/16 (294)	36-9/16 (929)	4-1/4 (108)	8 (203)	5-1/2 (140)	9-1/2 (241)	8 (203)	8-1/4 (210)	15/16 (24)	15/16 (24)
44 (1118)	12-1/16 (306)	38-9/16 (979)	13-9/16 (344)	38-9/16 (979)	4-1/4 (108)	8 (203)	5-1/2 (140)	9-1/2 (241)	8-1/2 (216)	8-1/4 (210)	7/8 (22)	7/8 (22)
46 (1168)	14-1/16 (357)	40-9/16 (1030)	15-9/16 (395)	40-9/16 (1017)	4-1/4 (108)	8 (203)	5-1/2 (140)	9-1/2 (241)	9 (229)	8-3/4 (222)	5/8 (16)	5/8 (16)
48 (1219)	16-1/16 (408)	42-9/16 (1081)	17-9/16 (446)	42-9/16 (1081)	4-1/4 (108)	8 (203)	5-1/2 (140)	9-1/2 (241)	9-1/4 (235)	9-1/2 (241)	13/16 (21)	13/16 (21)



Notes:

- Do not scale drawing.
- Doors shown for push side.
- All dimensions are given in inches and millimeters.
- Recommended thickness for reinforcements in hollow-metal doors and frames should provide a combined material thickness of .164 (4.2) MIN.
- This template information based upon use of 5 (127) maximum width butt hinges or 3/4 (19) offset pivots.

D6061/D6071-XX Series Operator Installation Template
for Drop Application using D6001DAB-XX Drop Angle Bracket where XX is the Door Width
on 36" wide doors with 85 to 110 Degrees max opening
For Reveal of 2-1/4" (57mm) to 7-3/8" (187mm)



TEMPLATE NUMBER	REV	DATE
80-7360-1017-020	2	12/20