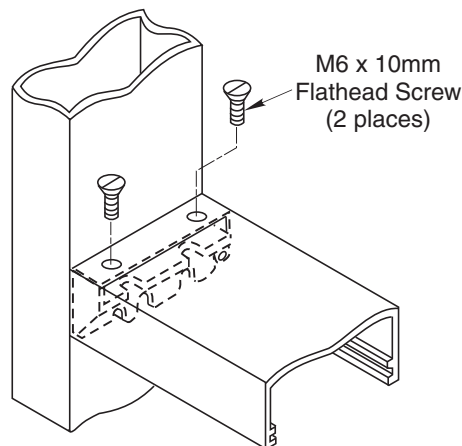
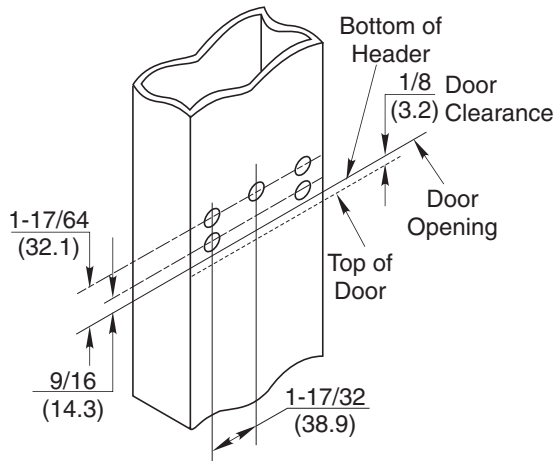


FRAME INSTALLATION For Aluminum Frames Only

(For Steel Frames See Template No. OC60400 or OC60410)

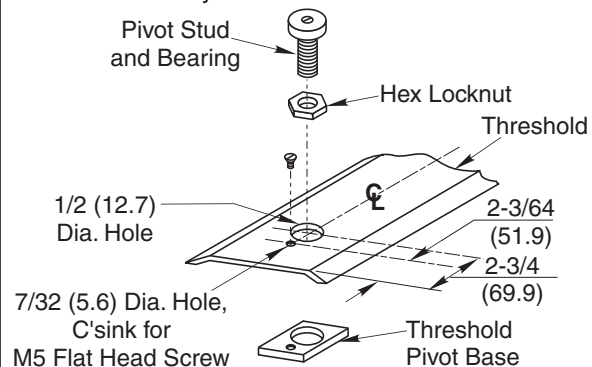
Hinge Jamb

- Drill 5 holes for M5 x 24mm screws as shown.
- Install bracket using M5 screws, lock washers, and nuts.
- Mount door header on bracket using (2) M6 x 10mm flat head screws.



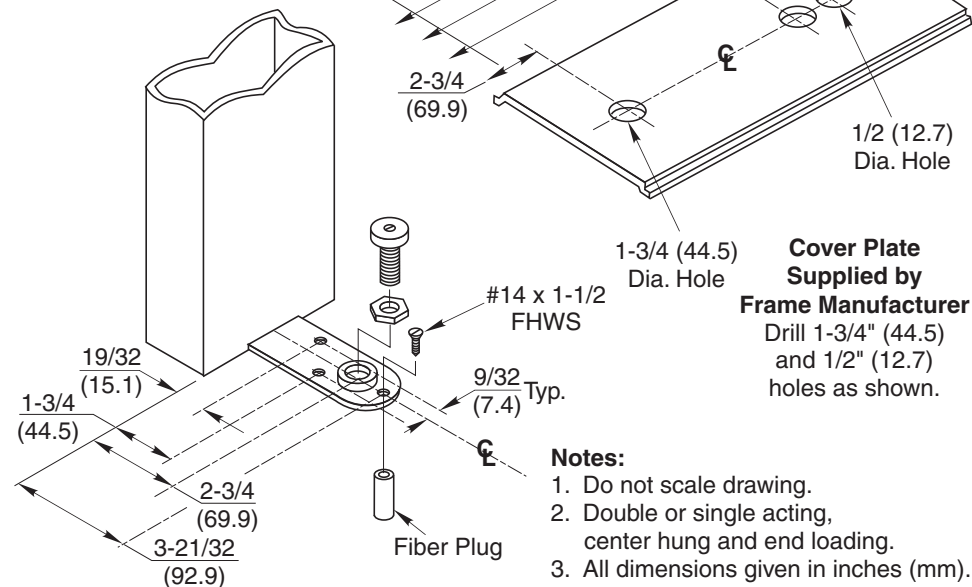
Threshold Mount Pivot

Drill 2 holes in threshold as shown. Install spindle stud and bearing with locknut from top and secure to threshold pivot base underneath. Secure M5 screw thru threshold and into pivot base. Adjust bearing height for proper door clearance and firmly tighten locknut. Cut off any excess thread.



Floor Mount Pivot

- Center pivot base against door jamb on hinge side. Mark and drill 1/4" (6.4) holes 1-1/2" (38.1) deep in floor for fiber plugs.
- Mount base using #14 x 1" fiber plugs and #14 x 1-1/2" flat head wood screws.
- Install pivot stud and bearing with hex locknut as shown and adjust bearing height for proper door clearance and firmly tighten locknut.
- When using threshold, drill 1" (25.4) hole for clearance of pivot base on centerline 2-3/4" (69.9) from hinge end of threshold.



**Cover Plate
 Supplied by
 Frame Manufacturer**
 Drill 1-3/4" (44.5)
 and 1/2" (12.7)
 holes as shown.

- Notes:**
1. Do not scale drawing.
 2. Double or single acting, center hung and end loading.
 3. All dimensions given in inches (mm).

608 Series Concealed Overhead Door Closers Double or Single Acting for Aluminum Doors & Frames Center Hung, End Loading



TEMPLATE NUMBER	REV	DATE
OC60420B	3	01/22