

# Model 61 Overhead Concealed Closer

## Cam Action Technology

### Non-Hold Open & Hold Open

#### Installation Instructions



#### **⚠ WARNING**

This product can expose you to lead which is known to the state of California to cause cancer and birth defects or other reproductive harm. For more information go to: [www.P65warnings.ca.gov](http://www.P65warnings.ca.gov).

#### **CAUTION**

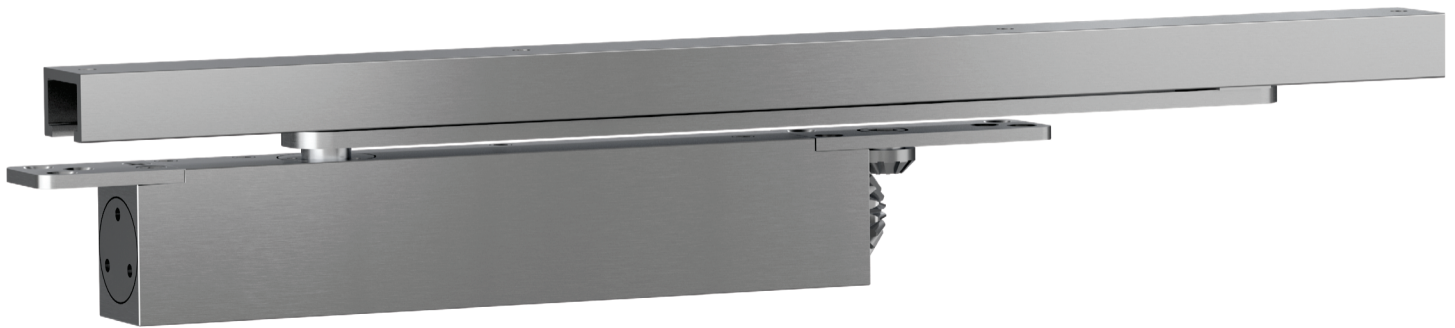
An incorrectly installed or improperly adjusted door closer can cause property damage or personal injury. These instructions should be followed to avoid the possibility of misapplication or misadjustment.

**READ AND FOLLOW ALL INSTRUCTIONS.  
SAVE THESE INSTRUCTIONS.**

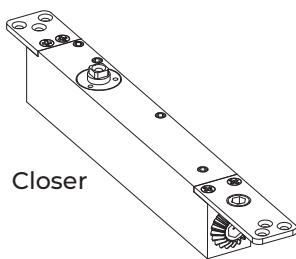
#### **NOTES:**

- Non-handed. Can be used on right or left handed doors. Refer to page 2.
- Size adjustable from 2 - 4. Refer to page 4
- Frame/Door Types: Metal & Wood
- Minimum Frame: 1" (25mm)
- Minimum Door Thickness: 1-3/4" (44mm)
- Maximum Opening Angle: 120°

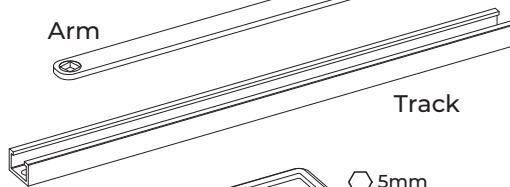
**CAUTION:** If frame and wall conditions permit the door to be opened beyond the maximum 120°, an Auxiliary Stop is required. Do not exceed 120° of opening to prevent damage.



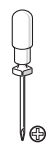
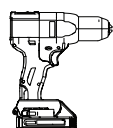
### Included Components



Arm



### Tools Required



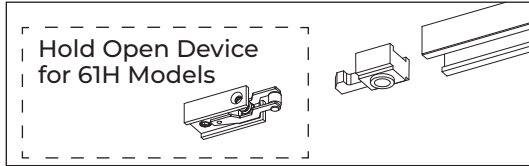
## Installation Instructions

### A. Prepare the door and frame for installation.

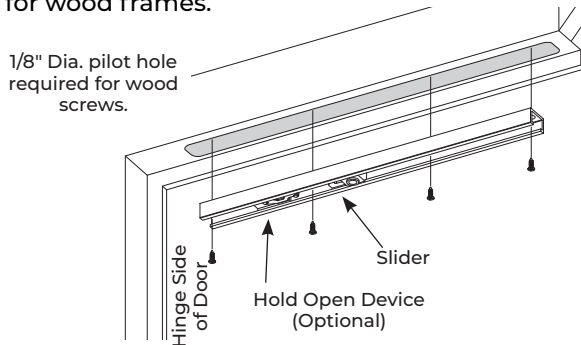
Refer to the template on page 5 for metal applications or page 6 for wood applications.

### B. Assemble and install the track in the frame.

1. Assemble the track as shown.



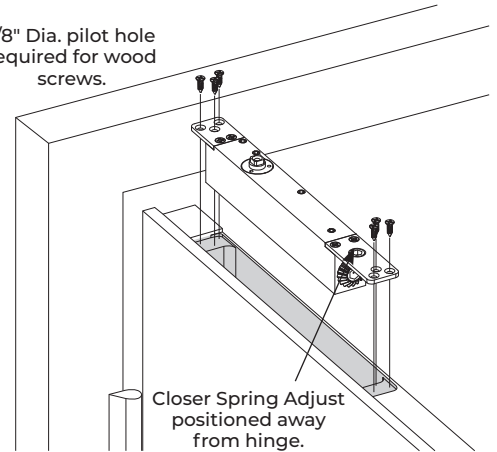
2. Mount the track to the frame using four (4) M5x16 screws for metal frames or four (4) M4.8x25 screws for wood frames.



### C. Install the closer in the door.

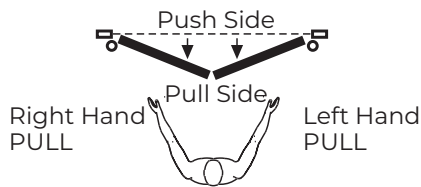
Mount the closer in the door using six (6) M5x16 screws for metal doors or six (6) M4.8x25 screws for wood doors.

1/8" Dia. pilot hole required for wood screws.

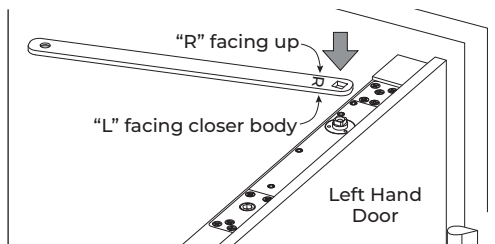
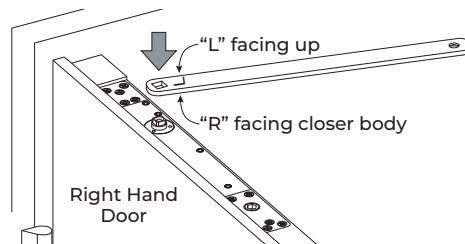


### D. Determine door handing and attach arm.

Determine the door handing using the diagram below.

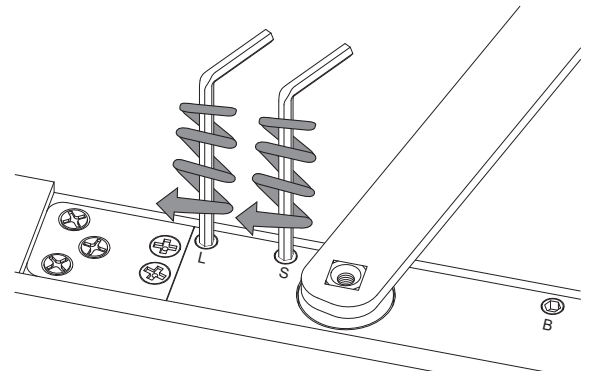


Place the square end of the arm on the closer spindle.  
**DO NOT FASTEN ARM AT THIS TIME.**



### E. Close the sweep and latch valves fully.

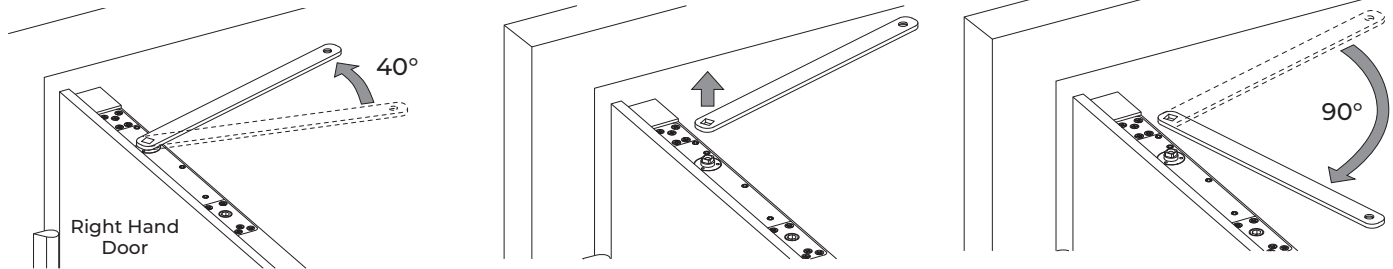
Using the 2.5mm hex wrench, close the Latch and Sweep valves fully.



### Installation Instructions (cont.)

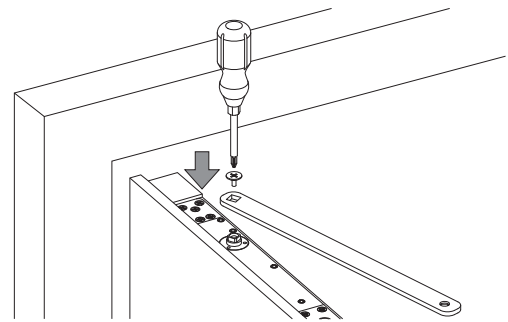
#### F. Preload the arm.

1. Rotate the arm approximately 40° as shown.
2. Remove the arm from the closer.
3. Rotate the arm 90°.



#### G. Fasten the arm to the closer.

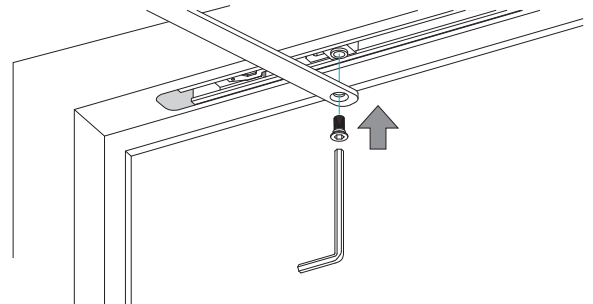
With a Philips head screwdriver, use the M6x10 screw to attach the arm to the closer.



#### H. Fasten the arm to the track.

Rotate arm to position under the frame rabbet as shown.

Use the 5mm hex wrench to attach the arm to the track slider with the M8x17.5 screw.

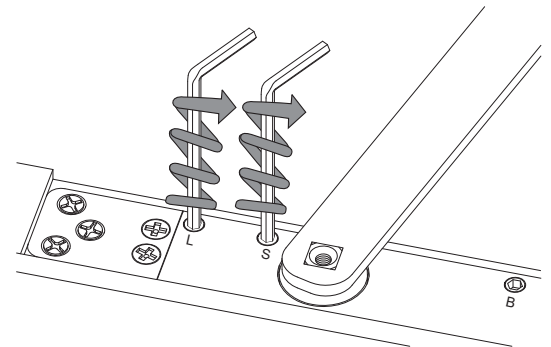


#### I. Slowly open the sweep and latch valves.

**CAUTION:** Moving parts. Before performing this step, ensure all tools and people are clear of the doorway to prevent injury or damage.

Using the 2.5mm hex wrench, slowly open the Latch and Sweep valves, allowing the door to fully close.

Refer to "Closer Adjustments" on page 4 to adjust closer, if required.

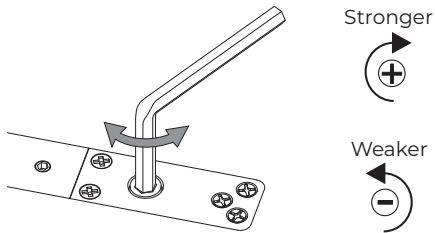


The ASSA ABLOY Group is the global leader in access solutions. Every day we help people feel safe, secure and experience a more open world.

## Closer Adjustments

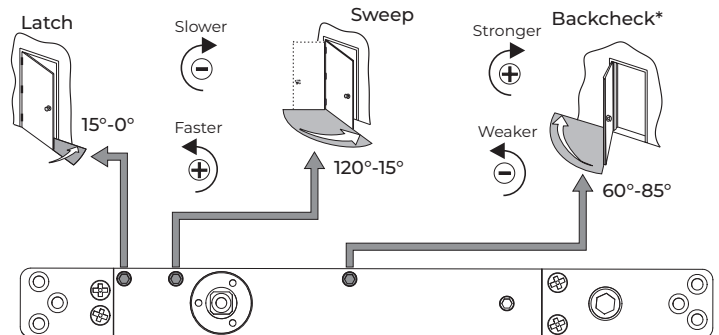
### Closer Spring Adjustment

Use the 5mm hex wrench to adjust closing force.



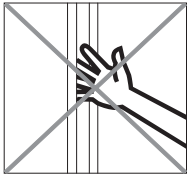
### Adjusting the Closer

With the 2.5mm hex wrench, adjust the closer latch, sweep, and backcheck settings.



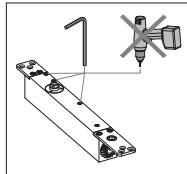
\*Do not close Backcheck valve fully. Do not use backcheck as a deadstop.

**WARNING:**  
Moving Parts



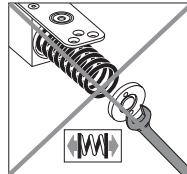
Keep hands & tools clear to avoid injury.

**Do Not Use a Drill to Adjust the Closer**



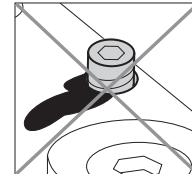
Use of a drill to adjust the closer will void the Warranty.

**WARNING:**  
Spring Under Pressure



Removing the end cap may result in injury or damage.

**Do Not Remove Valves from Closer**



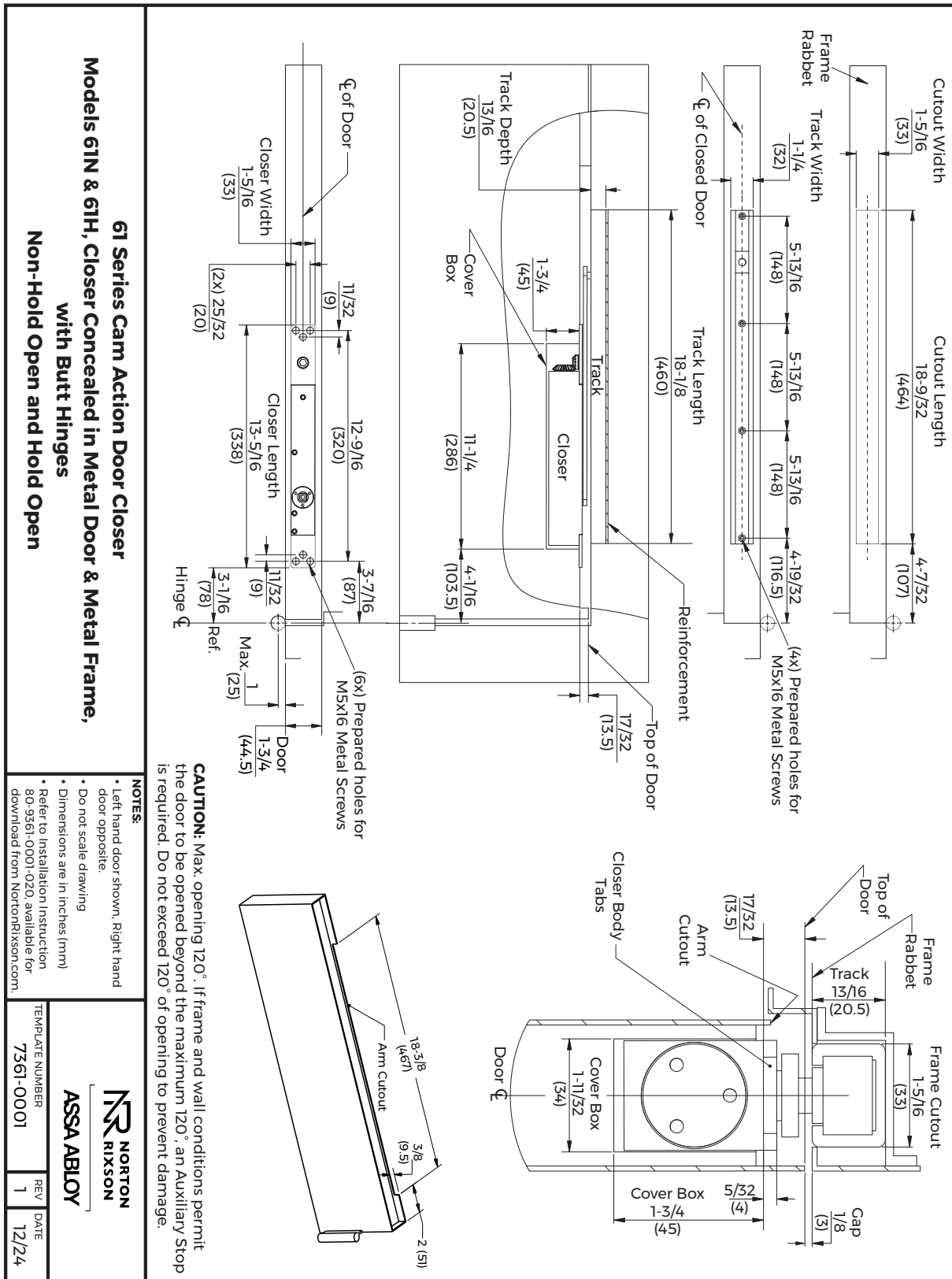
Removing the valves will result in a leak.

Technical Product Support:  
Monroe, NC 28112 USA  
Phone: 877.974.2255 ext: 2  
Techsupport.NortonRixson@assaabloy.com  
NortonRixson.com

Norton Rixson is a brand associated with ASSA ABLOY Accessories and Door Controls Group, Inc., an ASSA ABLOY Group company. Copyright © 2024, ASSA ABLOY Accessories and Door Controls Group, Inc. All rights reserved. Reproduction in whole or in part without the express written permission of ASSA ABLOY Accessories and Door Controls Group, Inc. is prohibited.

Approved 2024-12-20

### Template: Models 61N/61H Concealed Closer: Metal Door & Frame



Copyright © 2024, ASSA ABLOY Accessories and Door Controls Group, Inc. All rights reserved. Reproduction in whole or in part without the express written permission of ASSA ABLOY Accessories and Door Controls Group, Inc. is prohibited.

NortonRixson.com

Experience a safer and more open world

