

**Notes:**

1. Do not scale drawing.
2. Right hand shown.
3. All dimensions are in inches.
4. Template drawing for reference only.

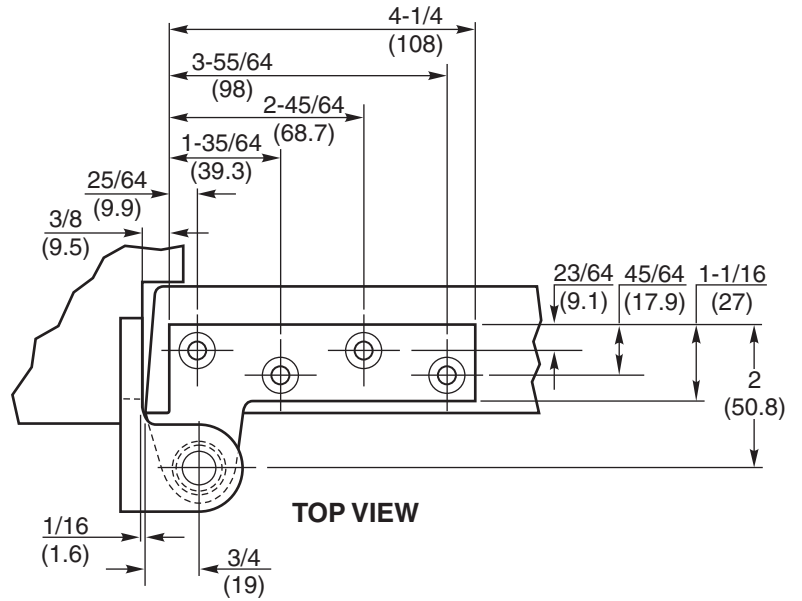
**680 Top Pivot  
 3/4" Offset, Non Handed  
 Surface Mount Jamb / Double Mortise Door**

**RIXSON<sup>®</sup>**  
**ASSA ABLOY**

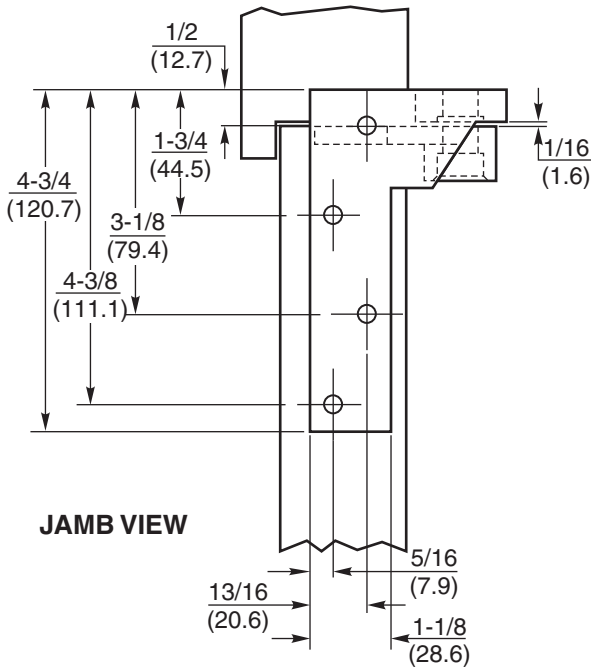
www.rixon.com

TEMPLATE NUMBER	REV	DATE
<b>IS-680</b>	<b>3</b>	<b>05-24</b>

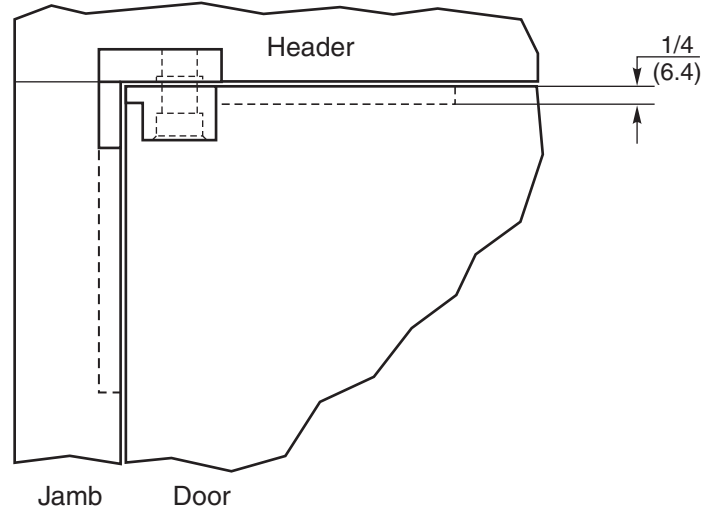
Approved 2024-05-24



**TOP VIEW**



**JAMB VIEW**



**ELEVATION**

**Notes:**

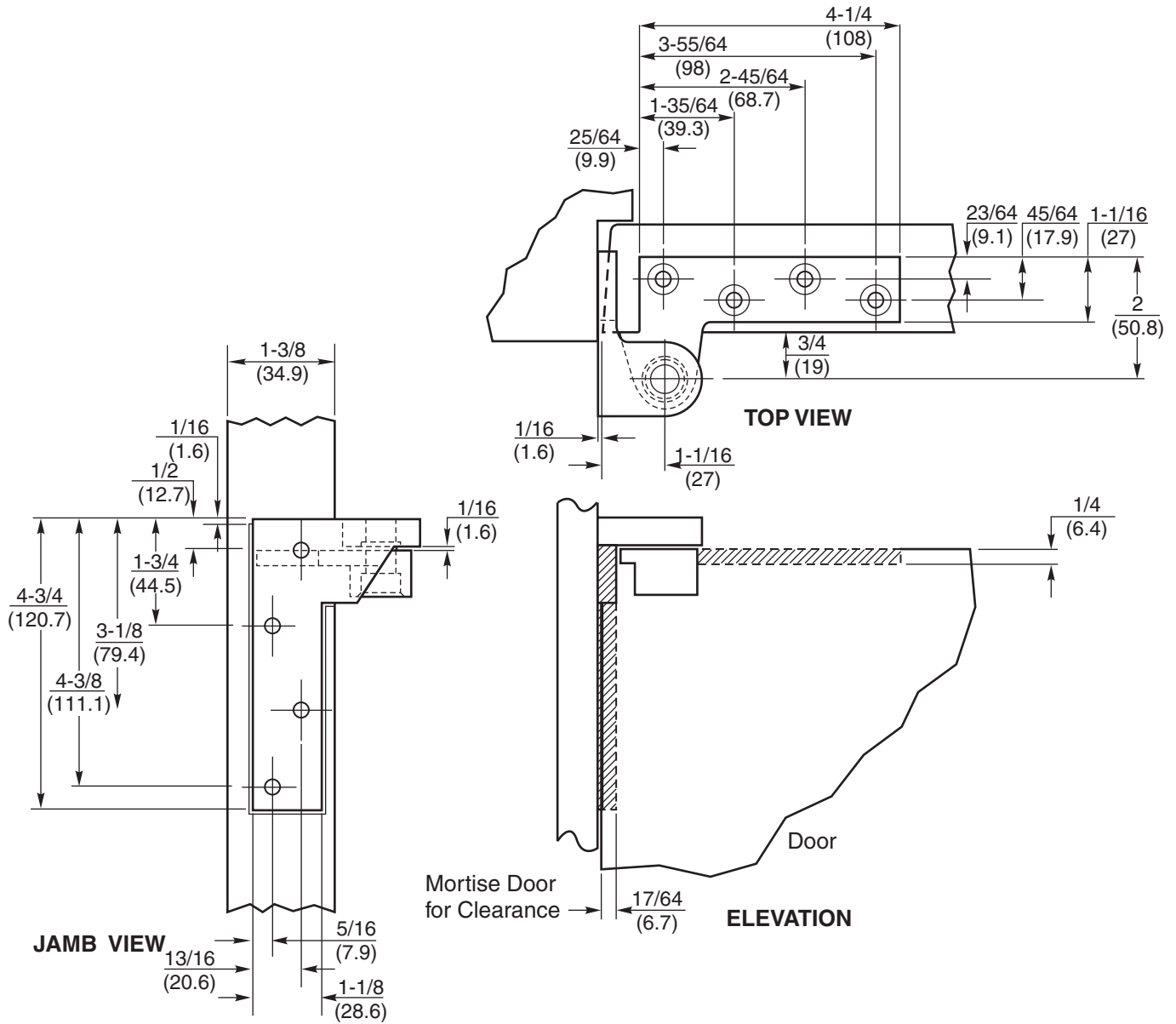
1. Do not scale drawing.
2. Right hand shown.
3. All dimensions are in inches.
4. Template drawing for reference only.

**680 Top Pivot  
 3/4" Offset, Non Handed  
 Mortise Jamb / Header & Door**

**RIXSON**  
 ASSA ABLOY

www.rixson.com

TEMPLATE NUMBER	REV	DATE
<b>IS-680</b>	<b>3</b>	<b>05-24</b>



**Notes:**

1. Do not scale drawing.
2. Right hand shown.
3. All dimensions are in inches.
4. Template drawing for reference only.

**680 Top Pivot  
 3/4" Offset, Non Handed  
 Mortise Jamb & Door**

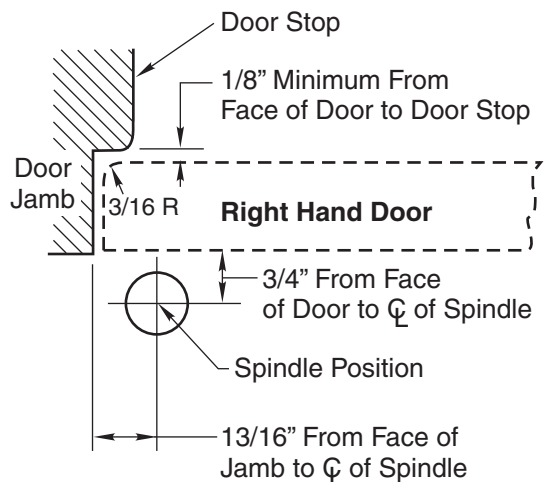
**RIXSON<sup>®</sup>**  
**ASSA ABLOY**

www.rixson.com

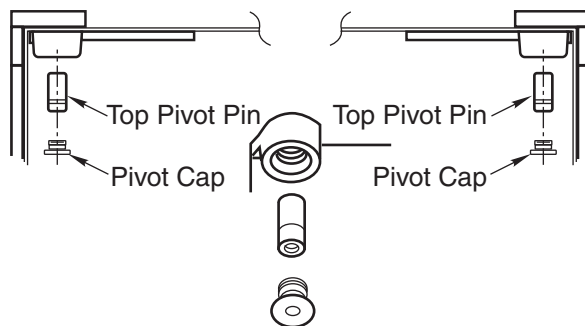
TEMPLATE NUMBER	REV	DATE
<b>IS-680</b>	<b>3</b>	<b>05-24</b>

# 680 Top Pivot

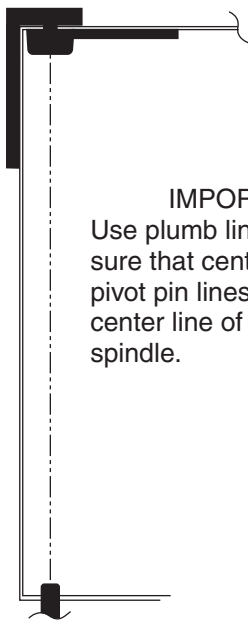
## Location



## Attachment

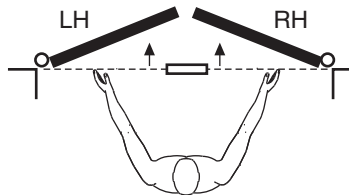


1. Attach door leaf of top pivot to door.
2. Attach jamb leaf of top pivot to frame.
3. If side jamb pivot is used, see required template for instructions.
4. Push top pivot pin into place.
5. Attach pivot cap. CAP MUST BE TIGHTENED SECURELY.



**IMPORTANT:**  
 Use plumb line to make sure that center line of top pivot pin lines up with center line of closer/pivot spindle.

## How To Determine Hand of Door



Face a door swinging open away from you. If it opens to the right, it is right hand. If it opens to the left, it is left hand.

**680 Top Pivot**  
**3/4" Offset, Non Handed**

**RIXSON**  
**ASSA ABLOY**

www.rixon.com

TEMPLATE NUMBER

REV

DATE

**IS-680**

**3**

**05-24**