

# 7200 Series Overhead Concealed Door Closer

## Models 7290 MPS & 7290 RFS



**ASSA ABLOY**

Selective Hold Open & Executive™ Door Release  
Holder Releasing Device with Rigid Side Arm  
Installation Instructions

### **WARNING**

This product can expose you to lead which is known to the state of California to cause cancer and birth defects or other reproductive harm. For more information go to: [www.P65warnings.ca.gov](http://www.P65warnings.ca.gov).

### **CAUTION**

An incorrectly installed or improperly adjusted door closer can cause property damage or personal injury. These instructions should be followed to avoid the possibility of misapplication or misadjustment.

READ AND FOLLOW ALL INSTRUCTIONS.  
SAVE THESE INSTRUCTIONS.

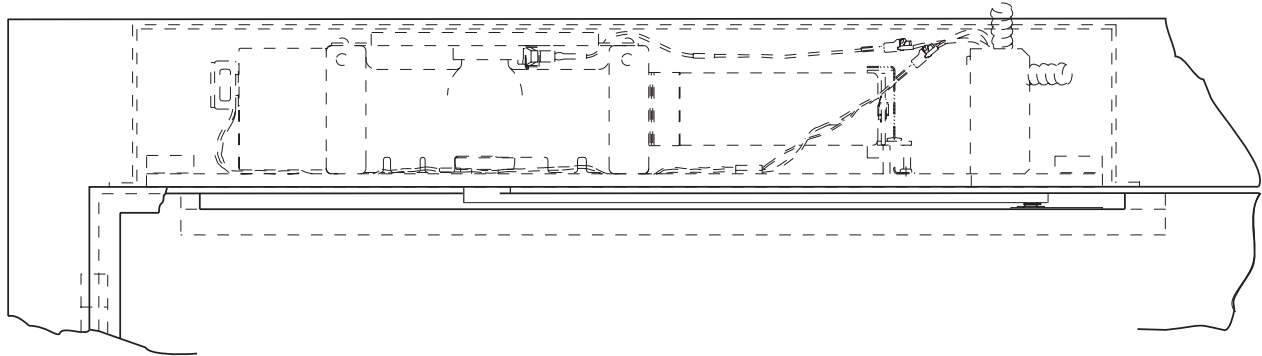
### **NOTES:**

- For wood or metal doors, 1-3/4" to 2-1/4" (45mm to 57mm) thick, hung in hollow metal frame, standard butt hinges.
- Removable frame stop required unless frame rabbet exceeds 2-3/16" (56mm). (Not shown)

### **Typical Installation:**

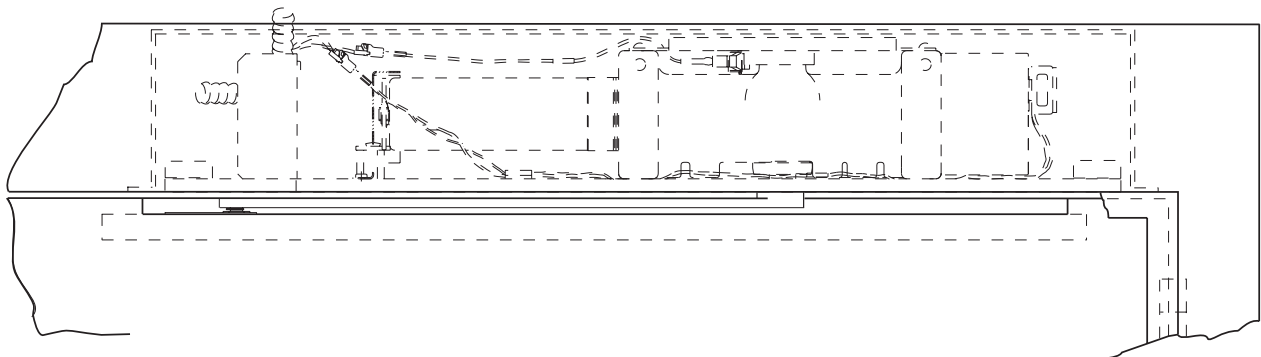
- One (1) track & closer position for all door opening angles.
- Easy arm attachment.

**Left Hand Door - LH**  
Right Hand Reverse - RHR



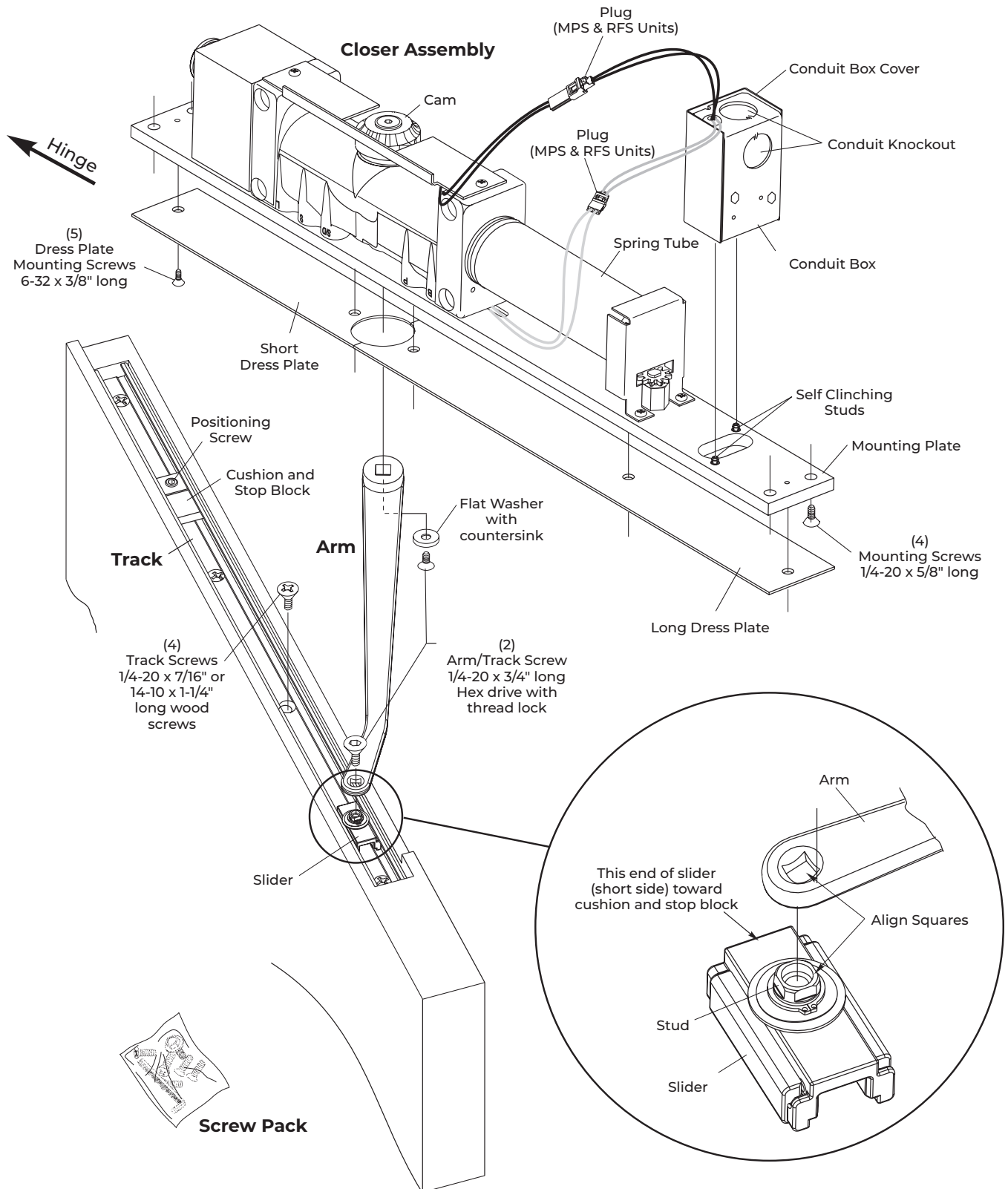
Hinge or Pivot

**Right Hand Door - RH**  
Left Hand Reverse - LHR



Hinge or Pivot

## Assembly Components

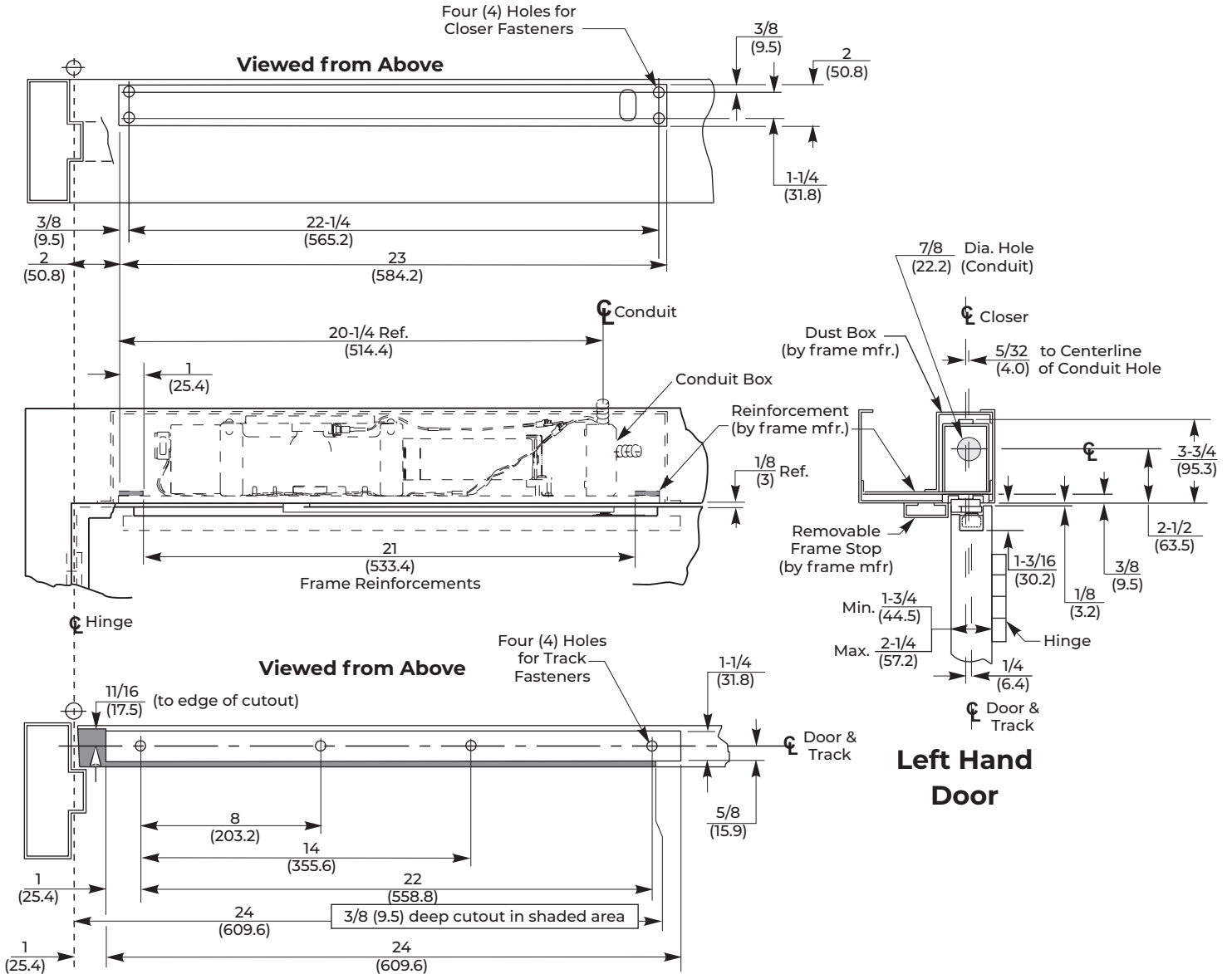


# Models 7290 MPS & 7290 RFS

Selective Hold Open & Executive™ Door Release  
Holder Releasing Device with Rigid Side Arm

## Model 7290 MPS/7290 RFS Template

Standard Butt Hinges



**NOTES:**

- Do not scale drawing.
- Left Hand door shown.
- Hardware dimensions shown (not cutouts).
- Dimensions are in inches (mm).
- Minimum door width: 27" (685.8mm)
- Track: 24" (609.6mm)
- Maximum width hinge: 5" (127mm)

Fastener	Use	⊕ Preparation
1/4-20 Machine Screw	Metal frame & Metal door	#7 (0.201" dia.) or 5.10mm drill 1/4-20 tap
#14 Wood Screw	Wood Door	7/32" or 5.5mm drill

Door Angle		Auxiliary Door Stop Required
110°	180°	
With Cushion & Stop Block	Without Cushion & Stop Block	Opening greater than 110°

**See Installation Sequence on page 4.**

## Installation Sequence

### Door/Frame Prep:

1. Determine hand of door from illustration on page 1. Closer are handed. Hand of closer must match hand of door.
2. Using template dimensions on page 3, locate holes and cutouts in frame and door, unless a separate template has been supplied for your application.

#### Door:

Prepare door for track. Drill and tap (4) holes for 1/4-20 machine screws.

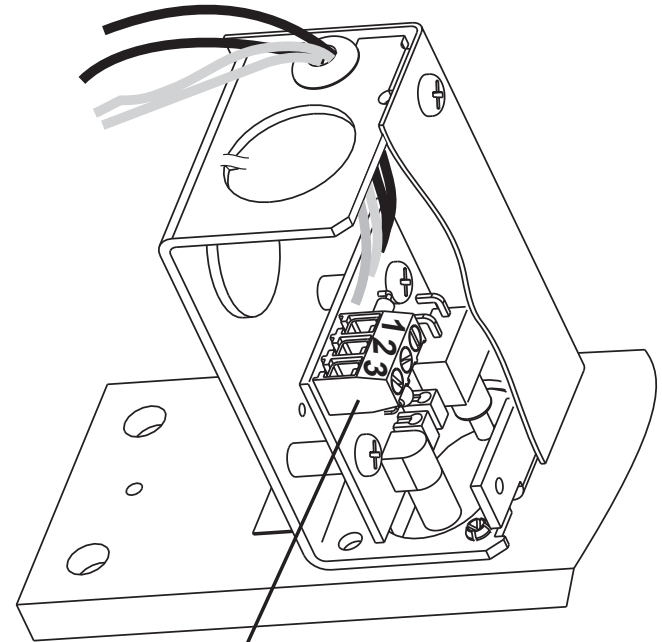
#### Frame:

Prepare the frame for mounting closer. Drill & tap four (4) holes for 1/4-20 machine screws or #14 wood screws.

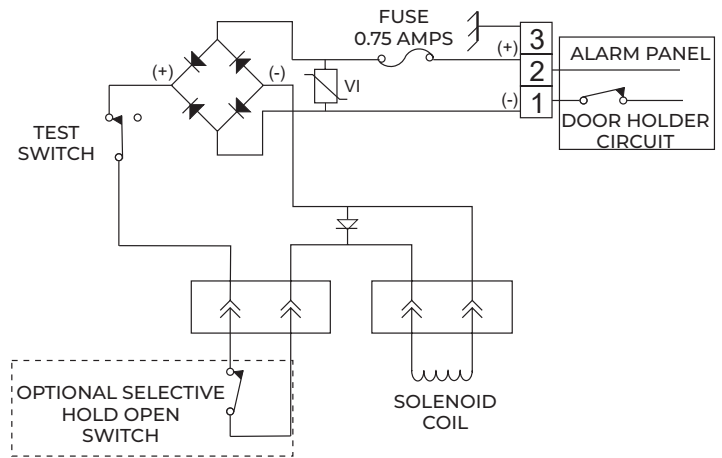
**NOTE:** Generally on new construction hardware cutouts are made by suppliers at their shop.

### Wiring:

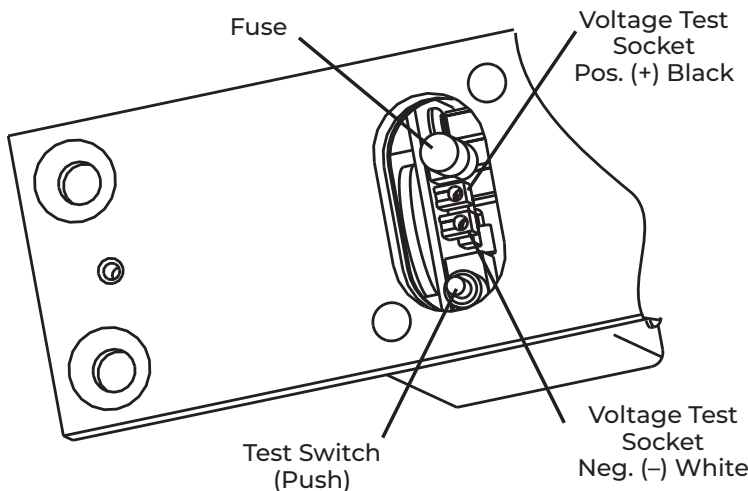
1. Wiring of switch must be in compliance with N.E.C. Class 2 wiring specifications.
2. Voltage to unit must be the same as shown on the unit: 24 Volts AC/DC or 120 Volts AC, 60hz. Voltage must be within a range of plus 10% and minus 15% of the unit's stated voltage.
3. Pull hook-up box off mounting plate's self clinching studs, disconnect plugs and remove hook-up box cover.
4. Anchor conduit at 1 or 2 hook-up box knockouts.
5. Secure power input leads to terminal lock, positions #1 and #2 as shown.



Terminal Block



Specifications			
	120VAC	24VAC	24VDC
Voltage	120V 132V Max. 102V Min.	24V 26.4V Max. 20.4V Min.	24V 26.4V Max. 20.4V Min.
Current	.035 Amps	.070 Amps	.070 Amps



#### Reconnect Sockets

- Connect plug with white leads from solenoid for MPS and RFS units.
- Connect plug with black leads from cam switch if used.

Replace hook-up box cover and secure with (2) screws.

Reattach hook-up box to mounting plate by aligning two (2) holes at bottom of hook-up box with two (2) self clinching studs. See illustration on page 2.

# Models 7290 MPS & 7290 RFS

Selective Hold Open & Executive™ Door Release  
Holder Releasing Device with Rigid Side Arm

## Installation Sequence (cont.)

### 1. Determine door opening angle.

See page 3 and below.

#### Model 7290 MPS:

Selective Open Hold units are shipped with hold open set at approximately 85°.

The hold open position can be increased or decreased by loosening the cam screw, rotating the cam to the new setting and tighten cam screw. See chart below for cam settings where hold open range will start.

### 2. Align letters on hold open cam with "V" centerline of switch rocker.

Choose row of letters on cam that are closest to the hinge side face of door.

Setting	G	H	J	K	L	M
Door Angle	15°	30°	45°	60°	90°	135°

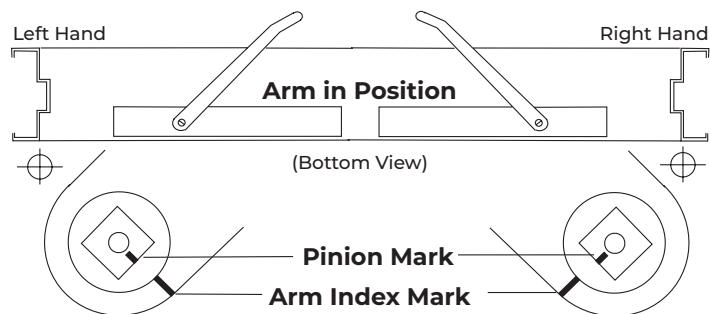
**NOTE:** Verify setting of cam before mounting the closer to the frame.

### 3. Mount closer to frame.

Position spring tube away from hinge and mounting plate flush with frame rabbet. Secure to frame reinforcements with four (4) 1/4 -20 x 5/8 screws. Use care to avoid damaging or pinching wires.

### 4. Install arm on closer pinion. (see illustration below)

Position arm counterbore facing down with index mark aligned with pinion index mark. Install onto pinion. Secure with washer and flat head arm screw with thread lock (see page 2).



### 5. Install track on door.

Place the assembled track into door cutout with open side facing up, cushion and stop block (if used) toward hinge or pivot. Move the slider to the opposite end of the track (see illustration on page 2). Secure track with four (4) 1/4-20 machine screws.

### 6. Connect arm to track.

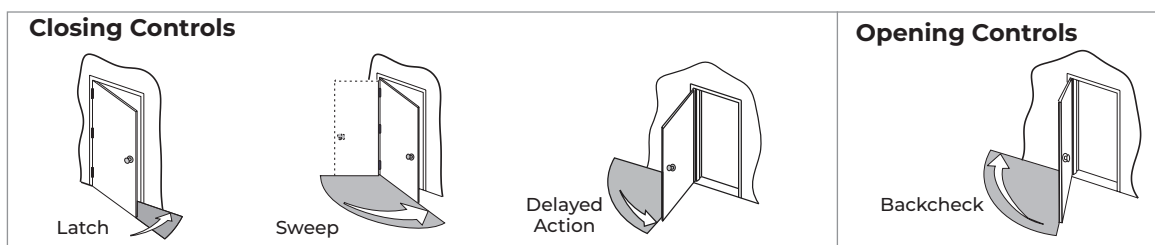
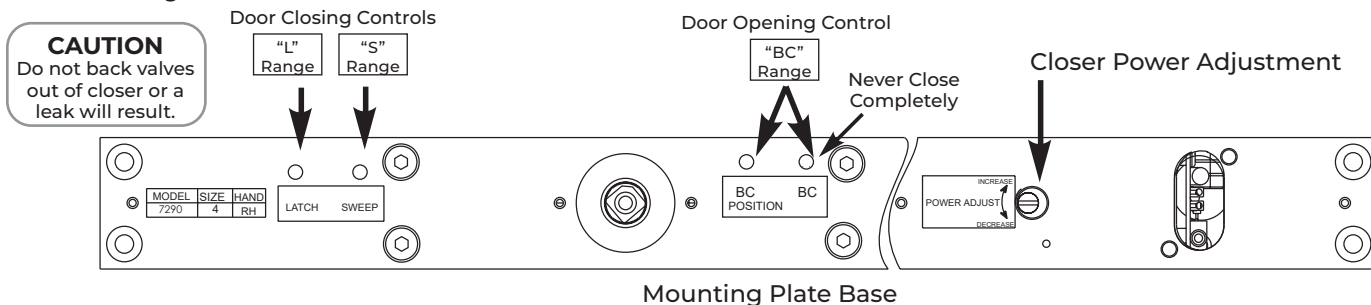
Open door to approximately 5" (127mm), rotate arm to slider and place end on stud. Use a screw driver to align the square on slider's stud with the arm square (see illustration on page 2). Push down on arm to seat stud and to prevent stud from rotating. Secure with arm/track screw, 1/4-20 x 5/8" long flat head hex drive with thread lock.

### 7. Adjust closer.

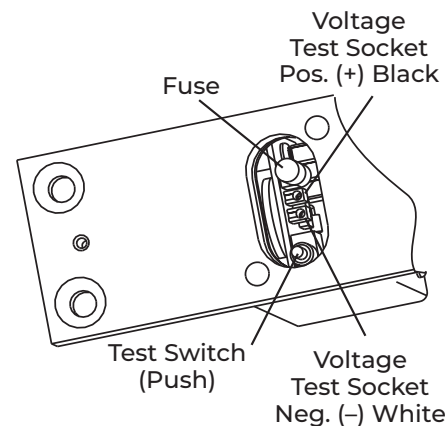
Refer to page 6. Once adjusted, install dress plate.

The ASSA ABLOY Group is the global leader in access solutions. Every day we help people feel safe, secure and experience a more open world.

## Closer Adjustment



- Closer Controls:**  
 Closer controls are accessible through mounting plate for closer adjustment. Use 1/8" (3mm.) hex-key for valve adjustments. Use a standard screwdriver for power adjustment.
- Power Adjustment:**  
 Power Adjustment permits increasing door closing force. Controlled by slotted screw marked "**POWER ADJUST.**"
- Closing Speed:**  
 Closing Speed controlled by valves marked "**SWEEP**" and "**LATCH**".  
**ATTENTION:** Adjust closing speed time to between 4 to 7 seconds from 90°. Use of the door handicapped, elderly, or small children may require greater closing time.
- Backcheck:**  
 Backcheck cushions or slows the opening of a door that is forced to travel faster than conditions require. Backcheck controlled by valves marked "**BC POSITION**" (open for backcheck start at a greater door opening angle) and "**BC**" (for adjusting backcheck intensity). **Never close BC valve completely.**
- Optional Enhanced Backcheck:**  
 Optional Enhanced Backcheck provides adjustable backcheck intensity beginning at approximately 15° of the door opening cycle. Backcheck positioning valve is omitted when this feature is provided.
- Hold Open Check:**  
 Turn power to the unit "On". Open door to the hold open position. Manually pull door out of hold open and release, door should close.
- Hook-up Box Testing:**  
 Open door to the hold open position. Depress "Test Switch" button on Hook-up Board, accessible through cutout in hook-up box and mounting plate (see illustration at right). Door should close.
- Install Short & Long Dress Plate:**  
 Refer to page 2.



Technical Product Support:  
 Monroe, NC 28112 USA  
 Phone: 877.974.2255 ext: 2  
 Techsupport.NortonRixson@assaabloy.com  
 NortonRixson.com

Norton Rixson is a brand associated with ASSA ABLOY Accessories and Door Controls Group, Inc., an ASSA ABLOY Group company. Copyright © 2002, 2014, 2024, ASSA ABLOY Accessories and Door Controls Group, Inc. All rights reserved. Reproduction in whole or in part without the express written permission of ASSA ABLOY Accessories and Door Controls Group, Inc. is prohibited.