

7540STH Low Profile Slide Track Door Closer

Pull Side

Push Side

With or without DA suffix (delayed action)

With or without M suffix (metal cover)

Hold Open Arm Models
7540STH
PS7540STH

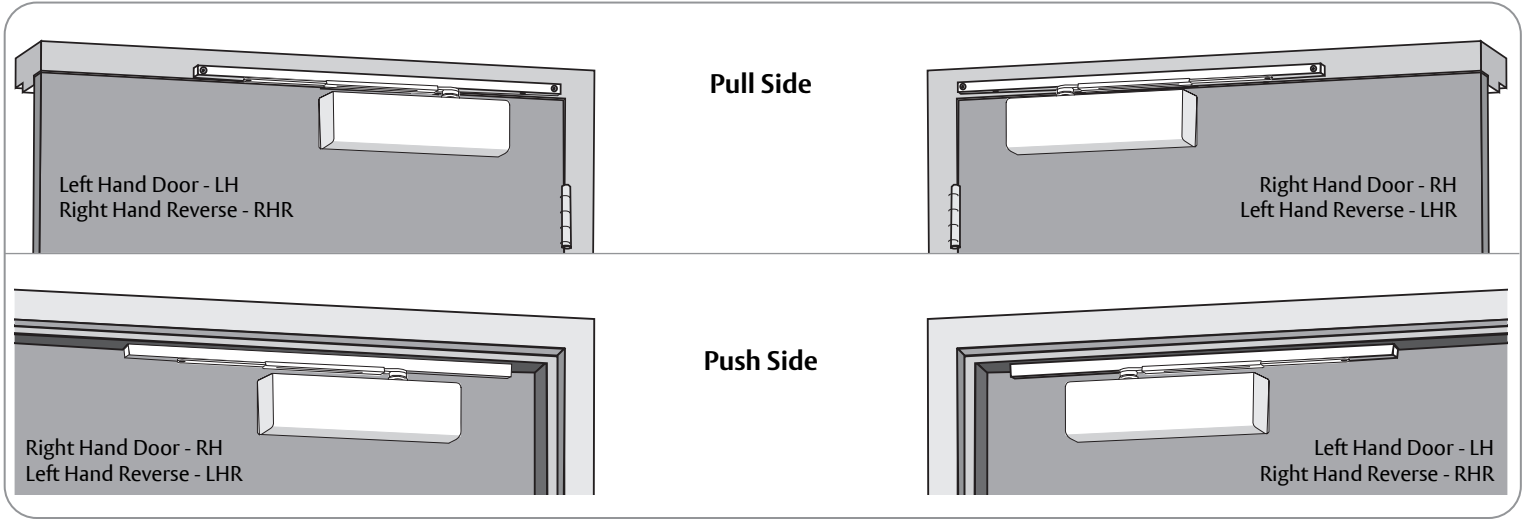
**NORTON
RIXSON**

ASSA ABLOY

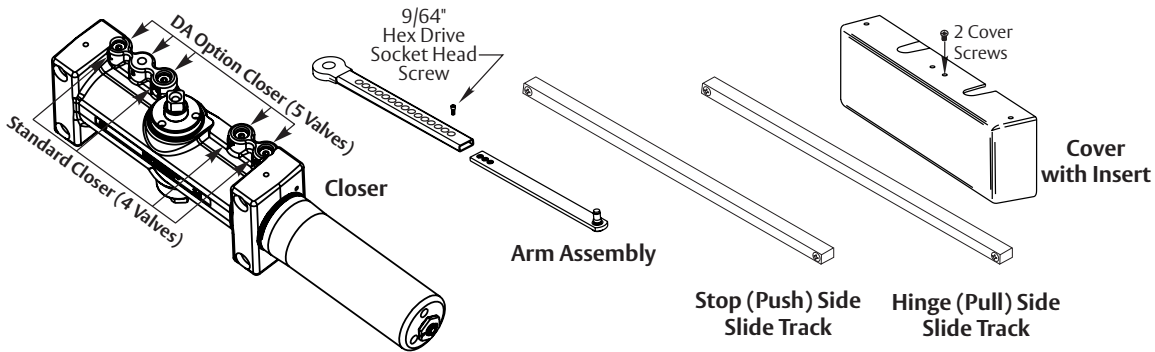
⚠ WARNING

This product can expose you to lead which is known to the state of California to cause cancer and birth defects or other reproductive harm. For more information go to www.P65warnings.ca.gov.

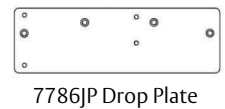
Ce produit peut vous exposer au plomb qui, dans l'état de la Californie, est reconnu pour causer le cancer, des anomalies congénitales ou d'autres problèmes de reproduction. Pour plus d'informations, visitez: www.P65warnings.ca.gov.



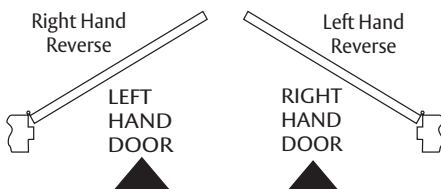
Included Components (See page 2 or 3 for mounting hardware)



Optional Components

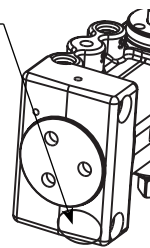


To Determine Your Hand of Door:



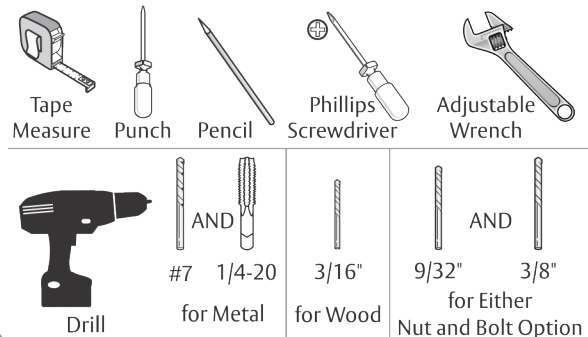
To Identify Your Model:

Older models may be stamped "1-6", "1-4" or "2-6". They can be replaced with a newer "1-6" model which has no stamp.



Standard 7500ST = 4 valves
Delayed Action 7500STDA = 5 valves






Tools Needed



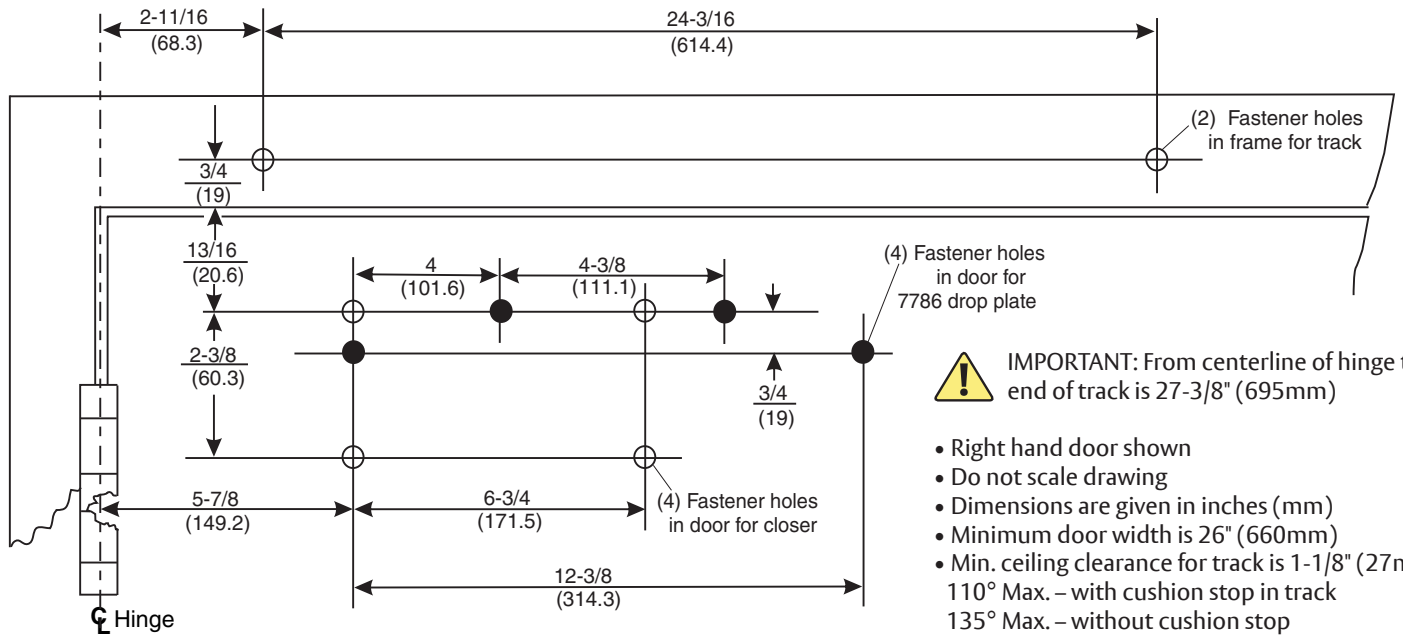
ATTENTION:

An incorrectly installed or improperly adjusted door closer can cause property damage or personal injury. These installation instructions should be followed to avoid the possibility of misapplication or misadjustment.

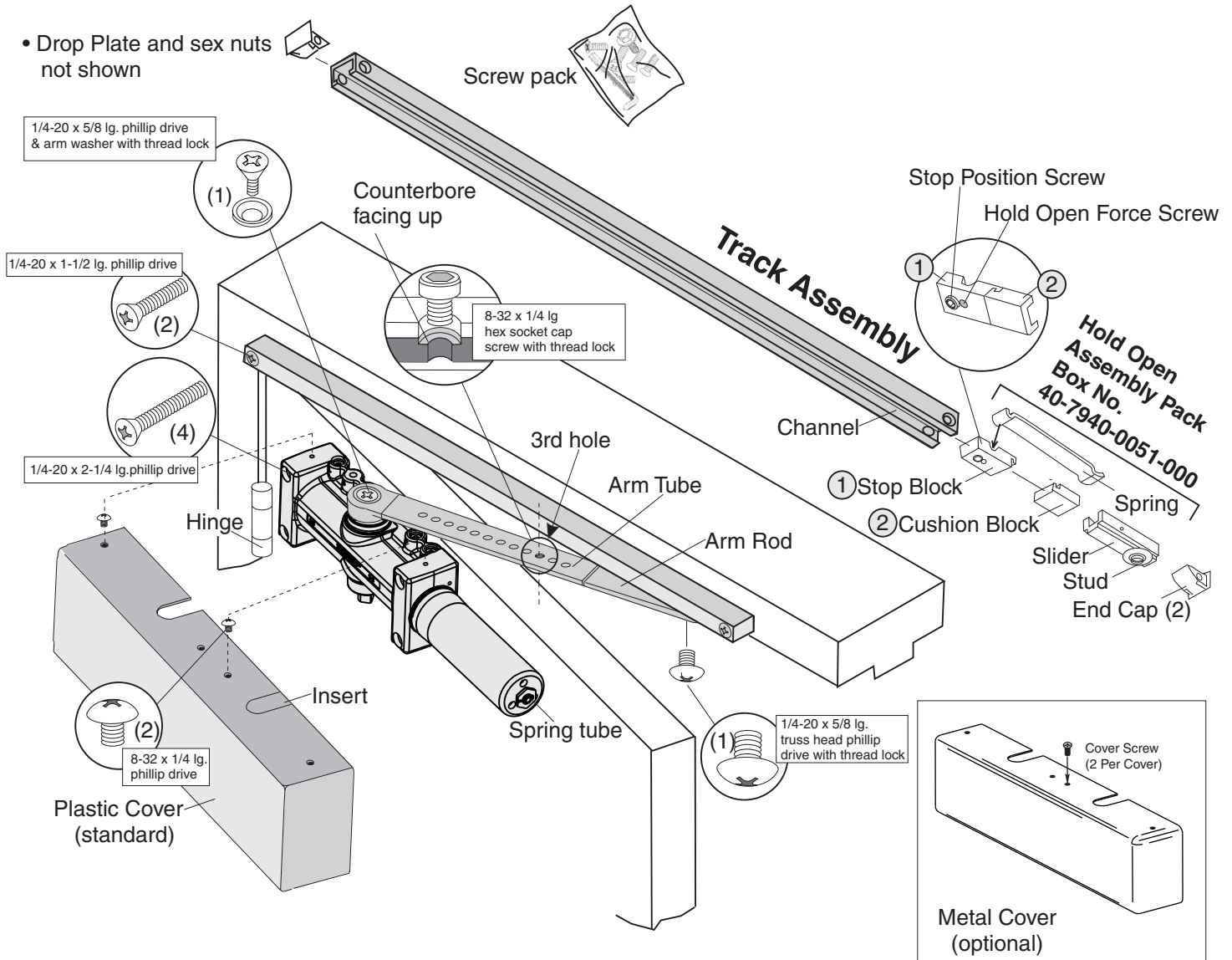
- For special applications, a separate door and frame preparation template is packed with these instructions. Use these instructions for installation sequence and closer adjustments only.
- 7500 Series closing force is adjustable from 1-6 as outlined in ANSI Standard A156.4. When closer is adjusted to conform to ADA reduced opening force requirements (5 lbs max.) for interior doors, it may not have adequate closing force to reliably close and latch door. Charted power adjustments in instructions are recommended where possible, to ensure proper door control.
- Adjust closing time speed between 3 - 7 seconds from 90° - 0°.
- These door closers should NOT be installed on exposed side (weather side) of exterior doors.
- Minimum top rail of door with frame stop for PULL Side mount is 3-1/2" (89mm) without drop plate; 2" (51) with 7786JP drop plate. Minimum top rail of door with frame stop for PUSH Side mount is 5-1/4" (133mm) without drop plate; 3-5/8" (92) with 7786JP drop plate.
- Doors should be hung on 4-1/2" or 5" wide butt hinges (ball bearing or anti-friction).
- A separate door stop is recommended.
- Always consult door/frame manufacturer for fastener compatibility.
- Door and frame must be properly reinforced.
- Dimensions are given in inches (millimeters).

Mounting Hardware		Door or Frame	Drill
	Track: 1/4-14 x 1-1/2 Flat Head Self Drilling Screw	Wood	3/16" (4.76mm)
		Aluminum or Metal	no drill required
	Closer: 1/4-14 x 3 Flat Head Self Drilling Screw	Wood	3/16" (4.76mm)
		Aluminum or Metal	no drill required
	Track: 1/4-20 x 1-1/2 Oval Head Machine Screw	Metal	Drill #7 (.201 dia. or 5.10mm) Tap 1/4-20
	Closer or Track: Sleeve Nut and Bolt (SNB) (optional)	Hollow Metal	9/32" (7.00mm) thru 3/8" (9.50mm) door face opposite to closer
		Aluminum or Wood	3/8" (9.50mm) thru
	Closer or Track: Thru Bolt and Grommet Nut (TBGN) (optional)	All	9/32" (7.00mm) thru 3/8" (9.50mm) dia. x 3/8" (9.500mm) deep, door face opposite to closer

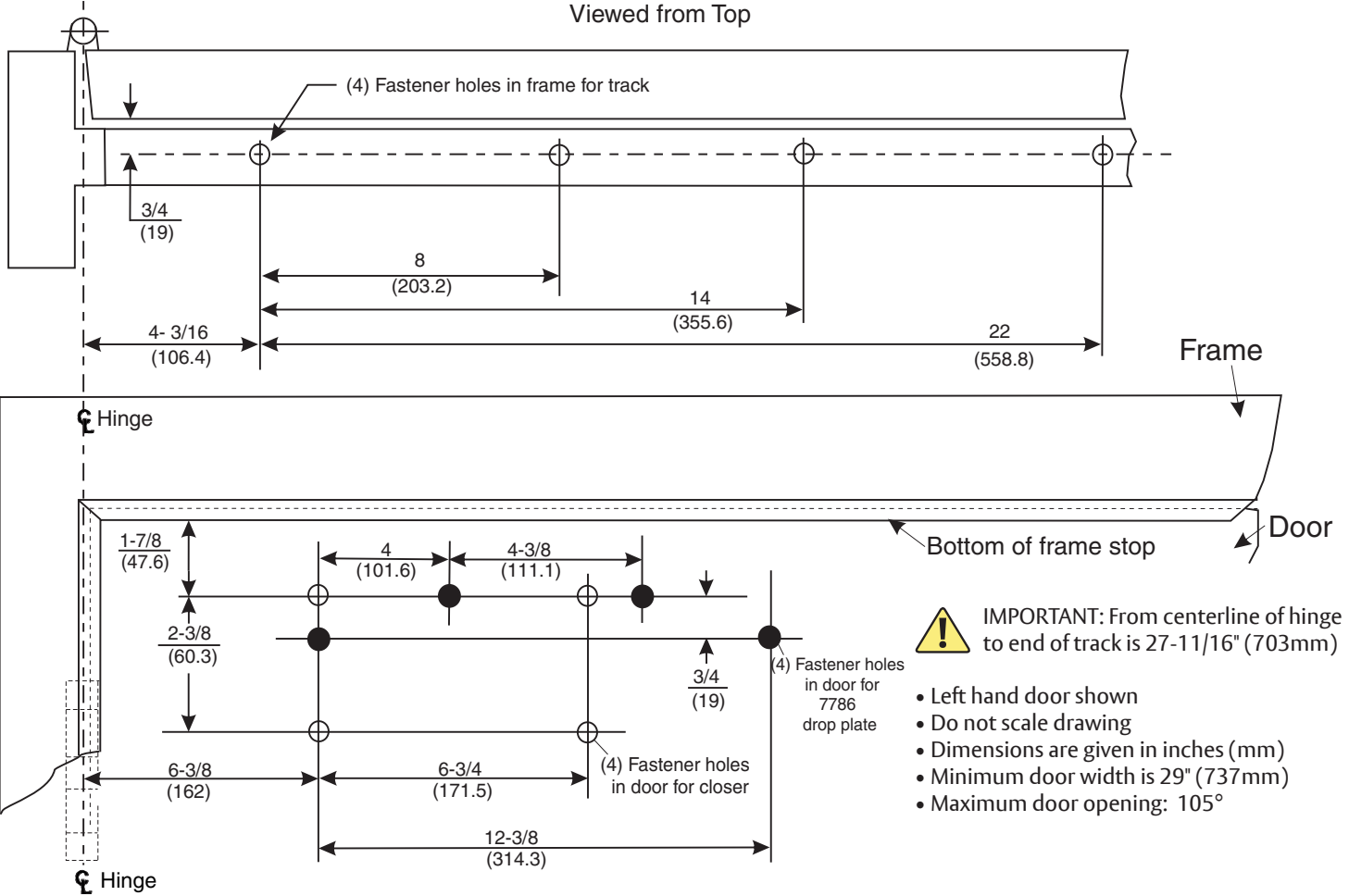
7540STH Slide Track (PULL SIDE)



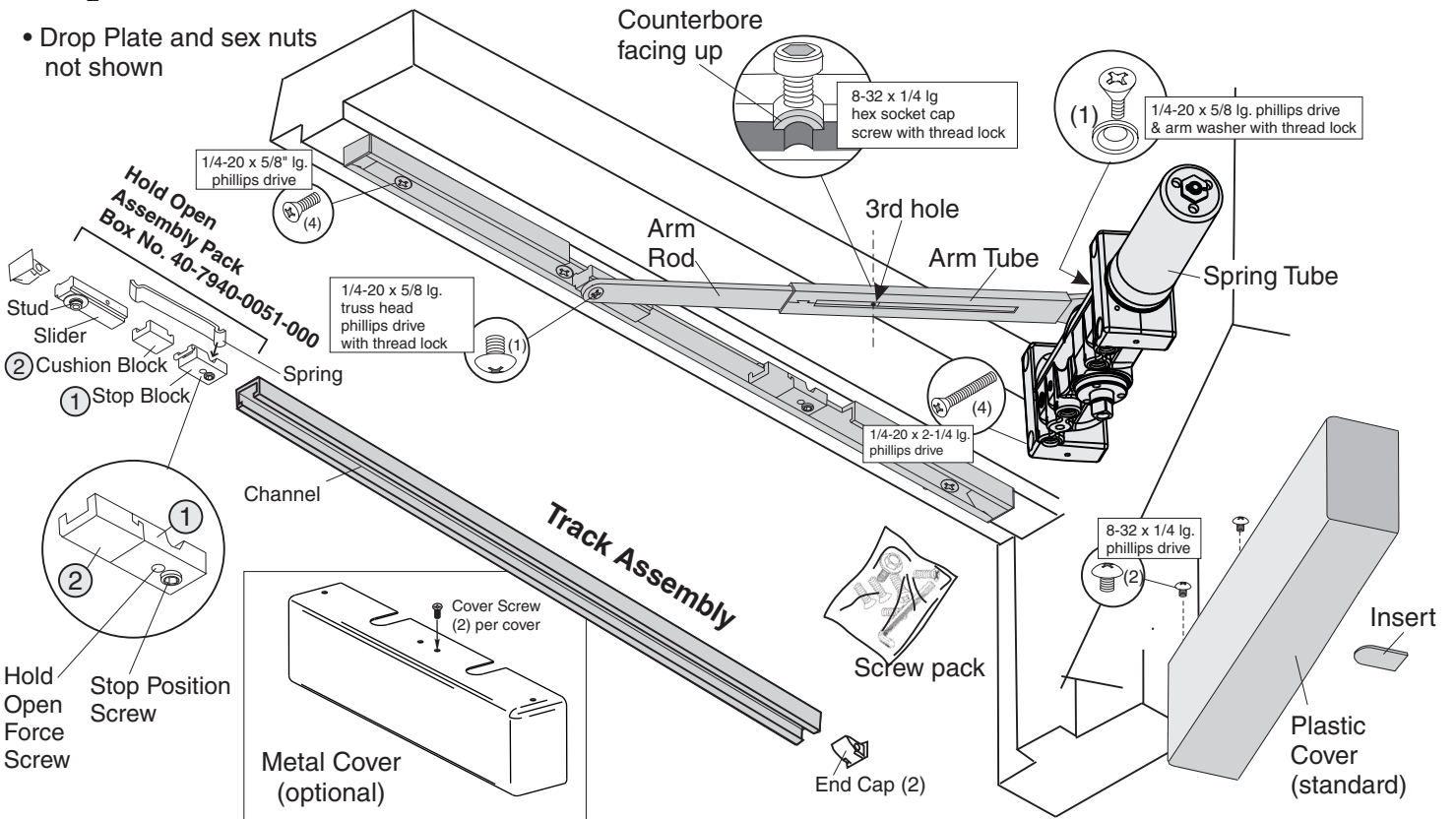
• Drop Plate and sex nuts not shown



Viewed from Top



• Drop Plate and sex nuts not shown



7540STH Slide Track PULL or PUSH Mount Instructions

Installation Sequence:

1. Determine hand of door and type of installation from illustrations on page 1.
2. Use template dimensions for PULL Side, page 3 or PUSH Side, page 4 to locate fastener holes on door and frame. See "Preparation for Fasteners" chart on page 2.

Frame: Prepare frame for mounting track. Drill and tap holes for 1/4-20 machine screws or #14 wood screws.

Door: Prepare door for mounting closer. Drill and tap (4) holes for 1/4-20 machine screws, #14 wood screws, 3/8 diameter sex-nuts, or through bolts and grommet-nuts.

Note: If drop plate is used, prepare holes for 7786 drop plate instead of closer. Secure drop plate before mounting closer.

3. Fasten closer to door or drop plate. Position spring tube away from hinge. See arm indexing illustrations for valve positioning (up or down). (Figure 1) Secure mounting screws.
4. Assemble Slide Arm. Insert flat arm rod into arm tube with the counterbore screw hole facing up. Align counterbore with 3rd hole in arm tube and secure with 8-32 x 1/4 long hex socket cap screw. See illustration on PULL, page 3 or PUSH, page 4.
5. Install arm on closer pinion. Position slide arm with counterbore facing up and align with pinion flat as illustrated. (Figure 1) Install onto pinion. Secure with washer and flat head phillips drive arm screw with thread lock.
6. Assemble track by removing slider assembly parts from box # 40-7940-0051-000 and inserting into channel in order shown on PULL Side, page 3 or PUSH Side, page 4.

NOTE: Use of a hold open device or assembly will void the UL® listing for this product.

7. Install track to frame. Insert end caps into ends of track and place slide track against frame with open side down, stop and cushion blocks toward hinge. Move slider to opposite end of slide track. Secure slide track with 1/4-20 flat head phillips drive mounting screws.
8. Connect arm to track. Open door approximately 5" (127mm), rotate arm to slider and place end on stud. Push down on arm and tap gently to seat (to prevent stud from turning during assembly). Secure with 1/4-20 x 5/8" long truss (rounded) head phillips drive screw with thread lock.

CAUTION: Closer arm is under spring tension and may be difficult to rotate.

9. Install cover as shown on PULL Side, page 3 or PUSH Side, page 4 or make adjustments. (Page 6)

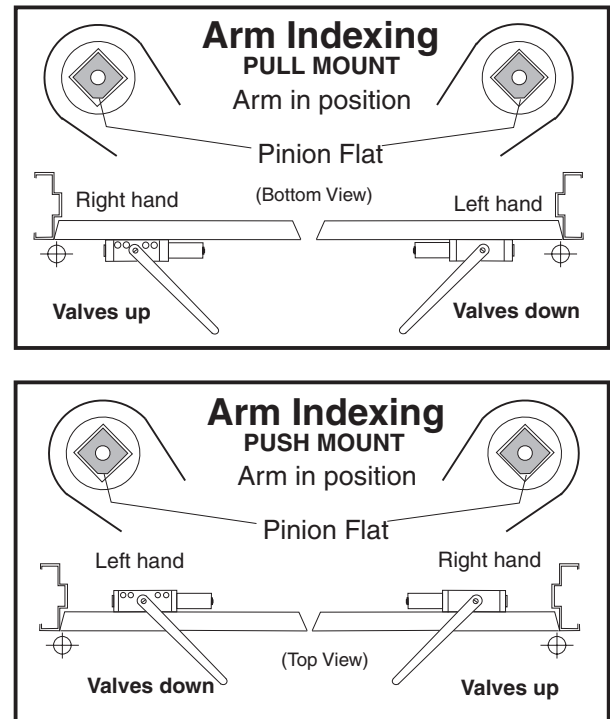


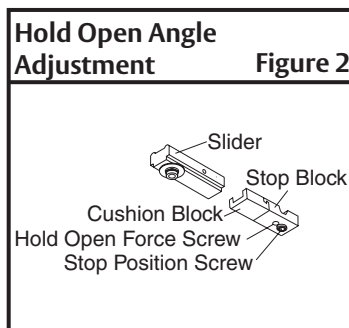
Figure 1

The ASSA ABLOY Group is the global leader in access solutions. Every day we help people feel safe, secure and experience a more open world.

Adjustments

Hold Open Angle (Figure 2)

Open door to desired angle for door to stop. With door held at that location, slide stop block with cushion block against slider. This may require turning hold open force screw (small set screw) with 1/8" hex drive to reduce tension. Tighten stop position screw (large set screw) with 3/16" hex wrench (from screw pack) until secure. Release door.



Closing Power

7540 Models are fully adjustable for proper sizing. (Figure 3)

To adjust closer power, install closer per instructions with proper pre-load applied to arm then adjust spring power.

NOTE: Power adjustment will not work properly if closer spring is not pre-loaded.

Power Adjustment Chart			Figure 3
Door Size Inches (mm)	Full Clockwise Turns of Closer Power Adjustment Nut		NOTE: Maximum of 15 turns (360°) of Power Adjustment Nut. Closer is shipped set at lowest power setting.
	7540STH PS7540STH		
	Interior Door	Exterior Door	
28-32 (0.07-0.80)	0	2	
33-36 (0.85-0.90)	2	5	
37-42 (0.95-1.05)	5	8	
43-48 (1.10-1.20)	8	11	

Closing Cycle (hydraulic control) (Figure 4)

Standard Closer Only

- Valve "L" controls door speed in Latch range.
- Valve "S/D" controls door speed in Sweep range.

Delayed Action Closer Only

- Valve "L" controls door speed in Latch range.
- Valve "S" controls door speed in Sweep range.
- Valve "S/D" controls door speed in Delay range.

Opening Cycle (hydraulic control) (Figure 4)

- Valve "B" cushions (slows) door opening in backcheck range.
- Valve "P" allows "backcheck" to begin later in opening cycle.

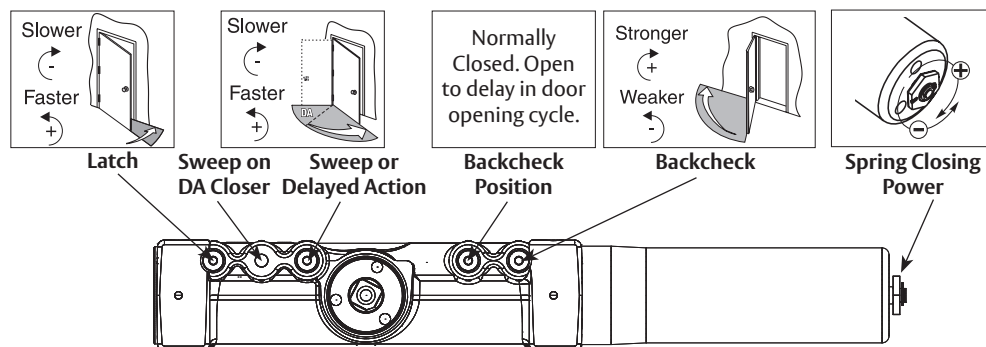


Figure 4



Use provided hex wrench to turn valves. NEVER force valves out of closer. NEVER completely close backcheck valve.

Door must be open to adjust spring closing power. Do not use a power drill. Warranty will be void.

Technical Product Support:
 Monroe, NC 28112 USA
 Phone: 877.974.2255 ext: 2
 Techsupport.NortonRixson@assaabloy.com
 NortonRixson.com