

CloserPlus® Ramp™ (CLP-R) Arm

7500 Door Closer, Hold Open

Standard, Narrow Frame and Flush Partition Installation Instructions



⚠ WARNING

This product can expose you to lead which is known to the state of California to cause cancer and birth defects or other reproductive harm. For more information go to www.P65warnings.ca.gov.

CAUTION An incorrectly installed or improperly adjusted door closer can cause property damage or personal injury. These instructions should be followed to avoid the possibility of misapplication or misadjustment. **CAUTION**

Additional Closer Options:

- "DA" indicates Delayed Action closing
- "R" indicates Ramp Hold-Open function, not handed

Optional Accessories:

- 7788 Drop Plate
- 2019L, 6890, 6891 Soffit Plate Accessories

Model Numbers Included:		
Series	Function	Sizing
CLP7500R	HO	1-6
CLP770XR	HO	2 THRU 6

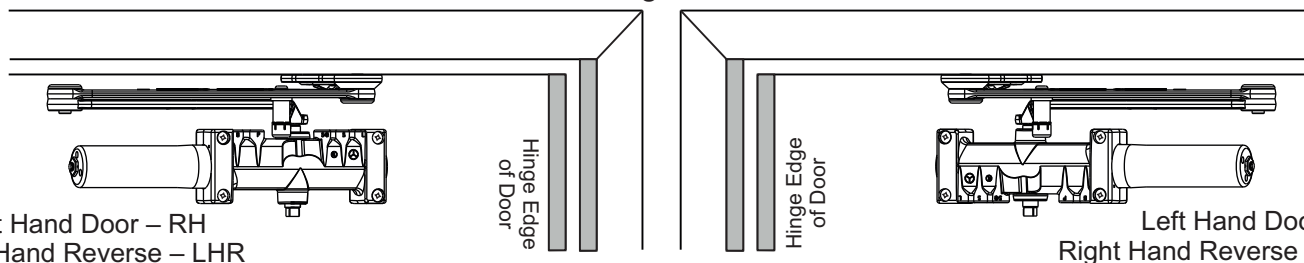
"X" Designates closer size 2, 3, 4, 5, or 6

NOTE: For special applications a separate door and frame preparation template is packed with these instructions. In those cases, use this instruction sheet for installation sequence and closer adjustments only.

Standard Frame Installation

Closer mounts on opposite to hinge (push) side of door.

See Pages 3 and 4

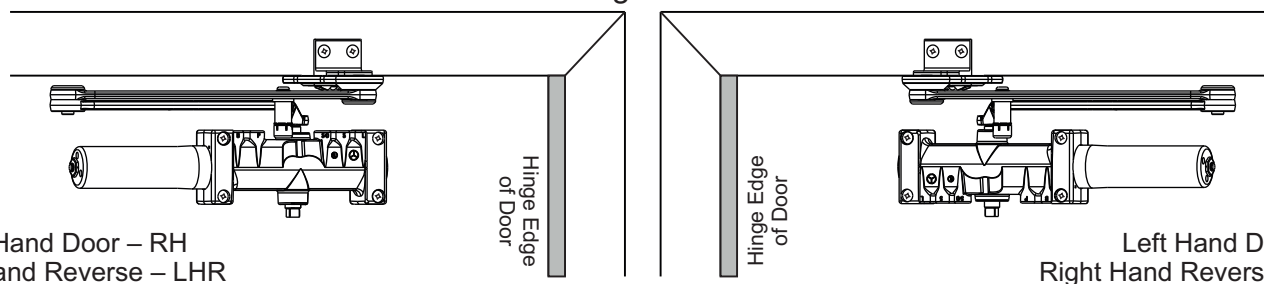


Narrow Frame Installation

Closer mounts on opposite to hinge (push) side of door.

6890 and 6891 accessories required for this application (supplied separately).

See Pages 3 and 4

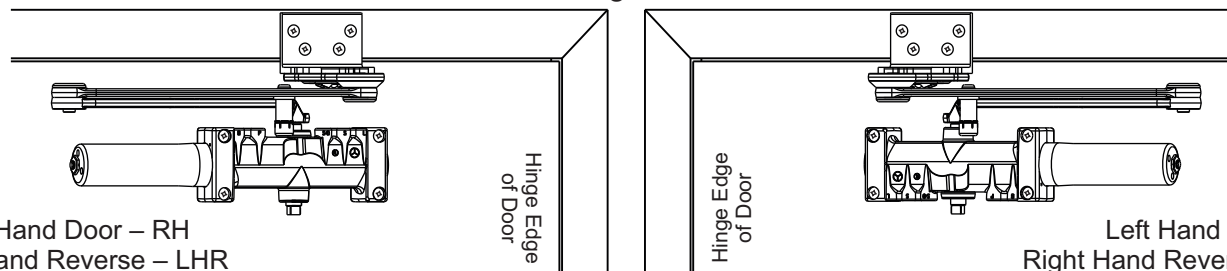


Flush Partition Installation

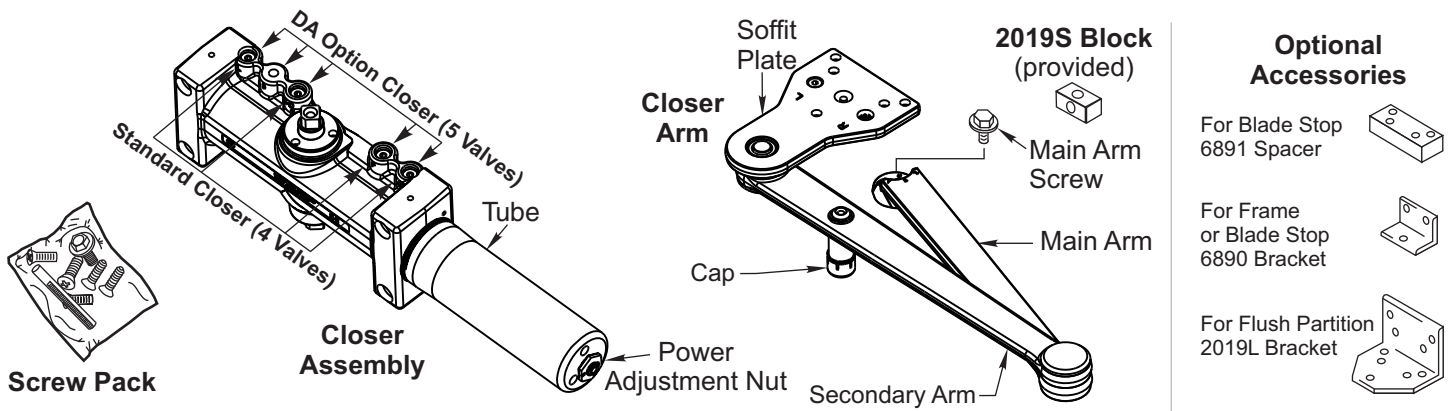
Closer mounts on opposite to hinge (push) side of door.

2019L accessory required for this application (supplied separately).

See Pages 3 and 4

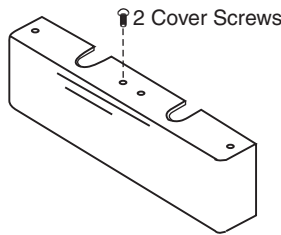


Components

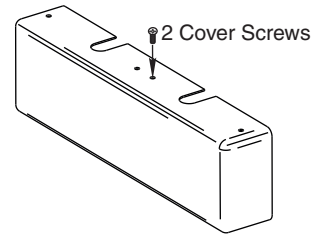


Cover Options

Plastic Cover (Standard)



Metal Cover (Optional)



Preparation for Fasteners			
	Fasteners	Door or Frame	Drill-Sizes
Standard	Self-Drilling Screw	Aluminum or Metal	No drill required
		Wood	3/16" (4.80 mm) Pilot hole required
	1/4" - 20 machine screw	Metal	Drill: #7 (0.201" dia.)(5mm) Tap: 1/4" - 20
Optional	Sleeve nuts and bolts	Hollow Metal	9/32" (7 mm) thru; 3/8" (9.5 mm) door face opposite to closer
		Aluminum or Wood	3/8" (9.5 mm) through
	Through-bolts and grommet-nuts	All	9/32" (7 mm) thru; 3/8" (9.5 mm) dia. x 3/8" (9.5 mm) deep on door opposite to closer

Note: Wood doors **MUST** be pre-drilled when using Self-Drilling Screws.

CloserPlus® Ramp™ (CLP-R) Arm 7500 Series

- Select angle of opening and use dimensions shown on Page 4 and Dimension Chart below to locate 4 holes on door for closer body (or 4 holes for 7788 Drop Plate, Page 6, only if required) and 5 holes on stop/rabbit for Soffit Plate (or 4 holes on frame transom for 2019L bracket, only if required). For applications not covered in these instructions, a separate template will be required.
- Prepare door and frame for fasteners using “Preparation for Fasteners” chart on Page 2.
- Install closer body to door, or 7788 Drop Plate, with power adjustment shaft **away** from hinge edge of door and adjustment valves:

**Down for Left Hand
Up for Right Hand**

*Mount 7788 Drop Plate to door ... only if used
(see Page 6).*

- Install Main Arm: Close valves (**‘S/D’** or **‘S’**) and **‘L’**, then using a wrench, rotate the pinion shaft at least 50° to permit alignment of the **Pinion Flat** with the proper arm mark:

**‘Z’ for Left Hand
‘Y’ for Right Hand**

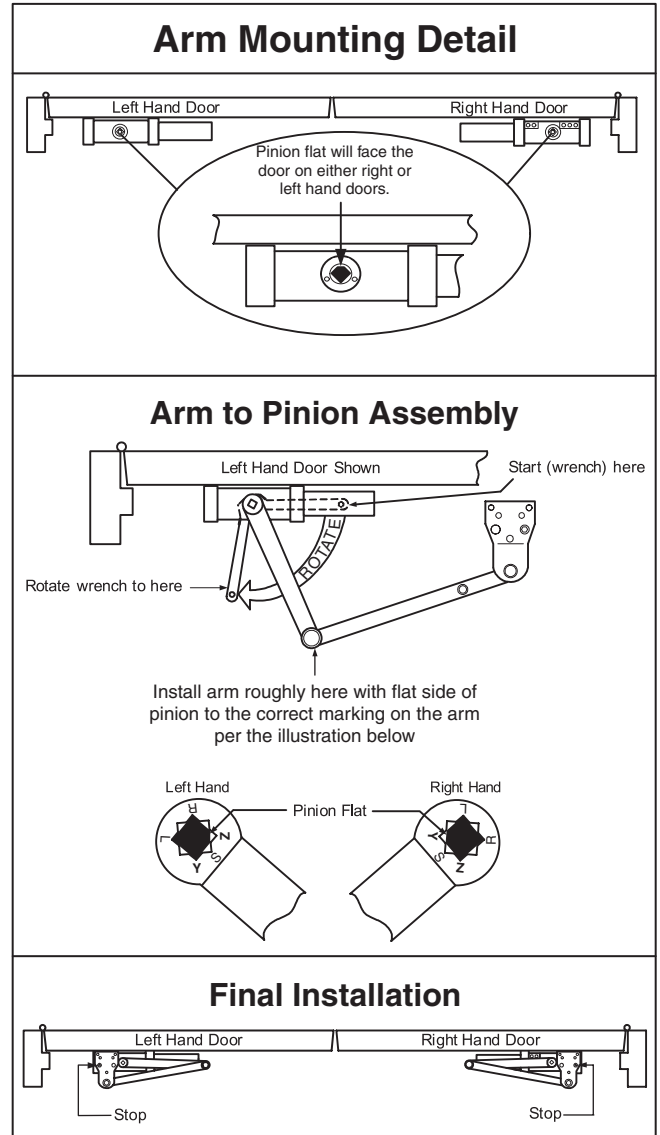
See below right for illustrations of this procedure.

- Reopen valves (**‘S/D’** or **‘S’**) and **‘L’**, that were closed in previous step.
- With door closed, align soffit plate with holes in frame and fasten to frame with screws. Use 2019S and/or 6891 spacer blocks or 6890 reinforcing bracket as required.
- 7500 Series Closers only:
Closer is shipped from factory set at mid-range. Using “Power Adjustment” chart below, rotate power adjustment shaft with 1/8” allen wrench supplied: Turn **CLOCKWISE** to **increase** power. Turn **COUNTER-CLOCKWISE** to **decrease** power. See Page 7 for the illustration of this step.
- Make adjustments to closer before installing cover. See Page 7 for closer adjustment instructions.
CAUTION: Do Not back valves out of closer body or a fluid leak will result.
- Install cover.

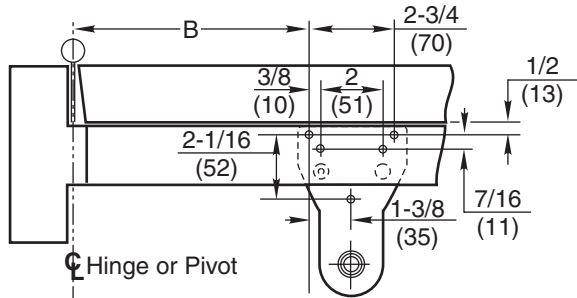
Power Adjustment Chart						
DOOR	Dim	*	MAXIMUM DOOR SIZE			
			32" (0.81m)	36" (0.9 m)	42" (1.1 m)	48" (1.2 m)
INT	CLP7500	FULL 360 DEGREE TURNS OF POWER ADJUSTMENT SHAFT	0	3	5	8
EXT			4	6	8	12
INT	CLP7700		0	2	5	8
EXT			2	5	8	11

*17 - 360°, MAXIMUM AVAILABLE

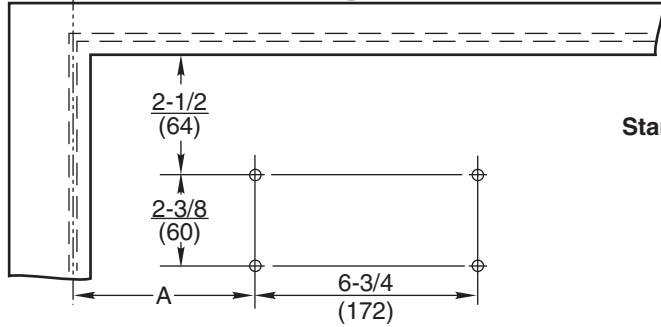
Installation Dimensions Chart							
	Dim	Up to 90°	90°-	95°-	100°-	105°-	110°-
			95°	100°	105°	110°	115°
CLP7500/ CLP770X	A in./ (mm)	10-1/8 (257)	9-1/4 (235)	8-5/8 (219)	7-7/8 (200)	7-3/8 (187)	6-3/4 (171)
	B in./ (mm)	10-5/8 (270)	9-3/4 (248)	9-1/8 (232)	8-3/8 (213)	7-7/8 (200)	7-1/4 (184)
	C in./ (mm)	10-3/4 (273)	9-7/8 (251)	9-1/4 (235)	8-1/2 (216)	8 (203)	7-3/8 (187)



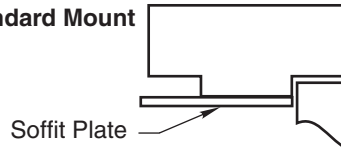
Standard Frame



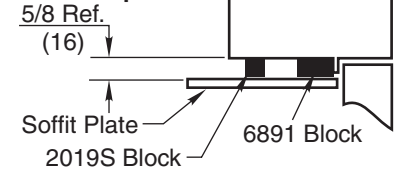
Notes:
Do Not Scale Drawing.
Left Hand Door Shown.
Same dimensions apply for Right Hand Door measured from centerline of pivot point.
Dimensions are in inches (mm).
See Page 3 for A, B, & C dimension values.



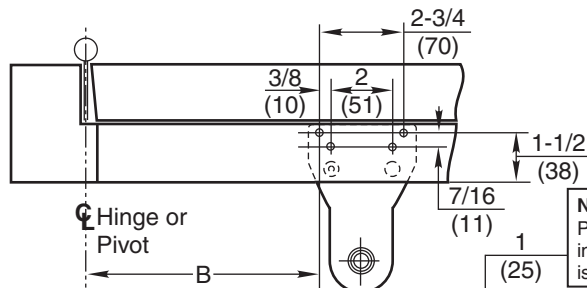
Standard Mount



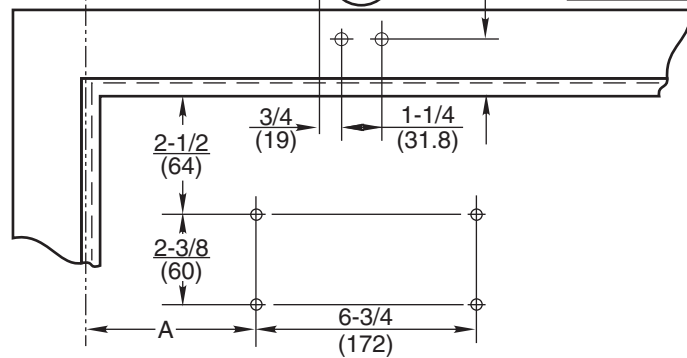
Blade Stop Mount



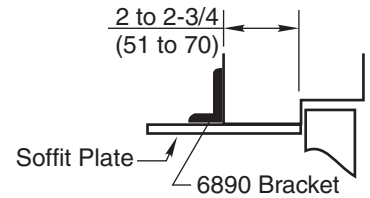
Narrow Frame



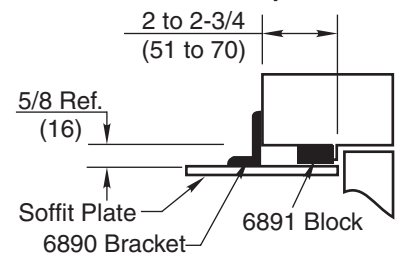
NOTE: For Blade Stop Mounting only.
Prepare 2 holes for 6890 bracket after installing 6891 block. The 1" dimension is from the bottom of the 6891 block.



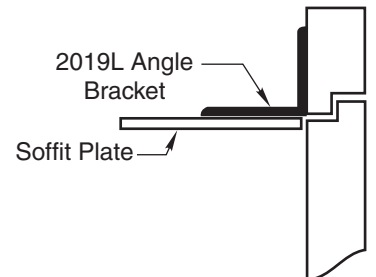
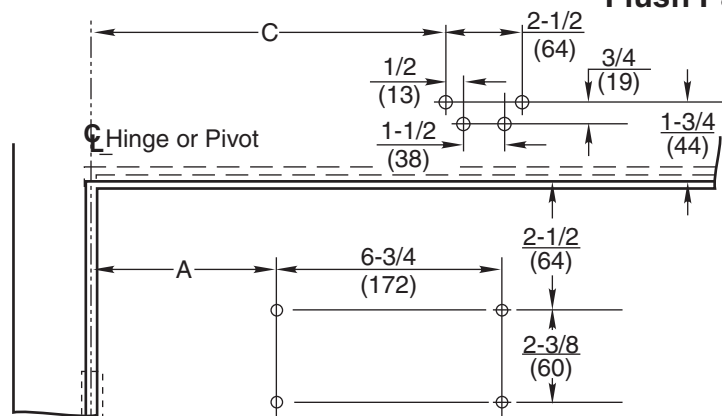
Narrow Frame Mount



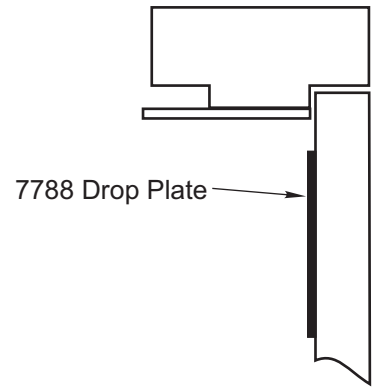
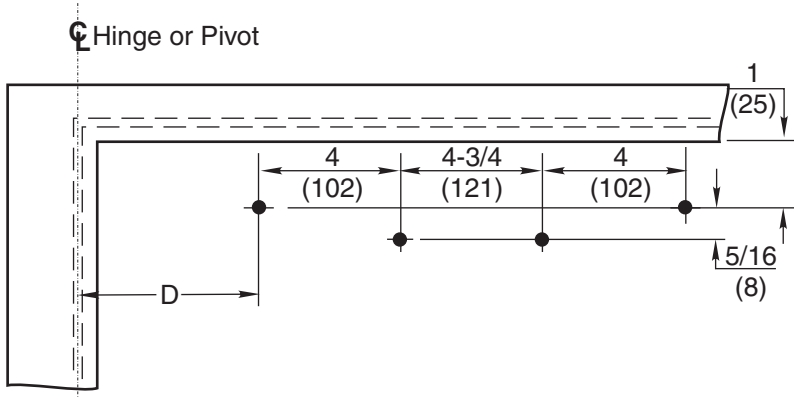
Blade Stop Mount



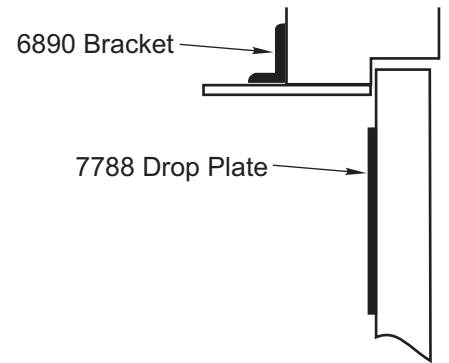
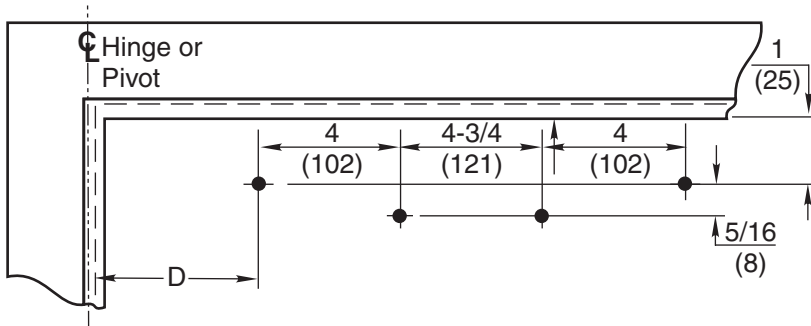
Flush Partition



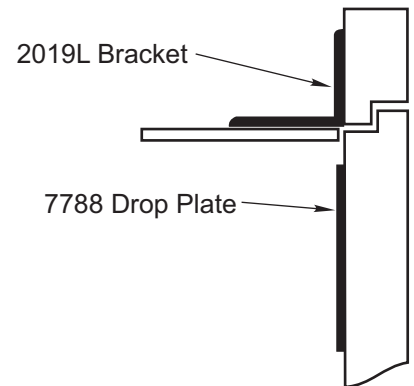
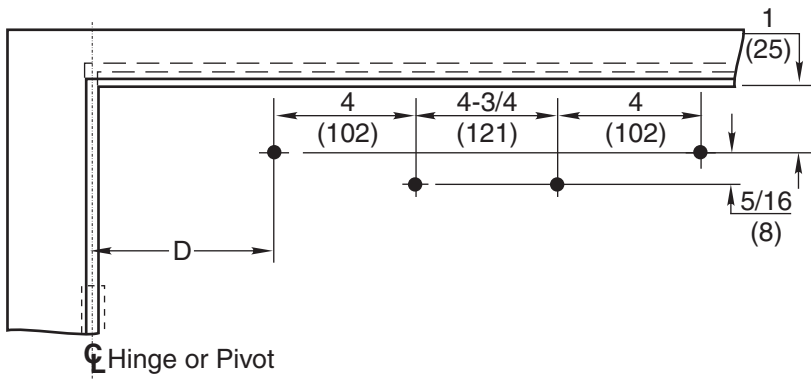
7788 Drop Plate Mounting Holes
Standard Frame



Narrow Frame



Flush Partition



Notes:
 Left Hand Door Shown.
 Same dimensions apply for Right Hand
 Door measured from centerline of pivot point.
 Dimensions are in inches (mm).
 See Chart below for D dimension values.

Installation Dimensions Chart							
	Dim	Up to 90°	90-95°	95-100°	100-105°	105-110°	110-115°
CLP7500R	D	9-7/8	9	8-3/8	7-5/8	7-1/8	6-1/2
CLP7500XR	inch/(mm)	(251)	(229)	(213)	(194)	(181)	(165)

The ASSA ABLOY Group is the global leader in access solutions. Every day we help people feel safe, secure and experience a more open world.

Adjustments

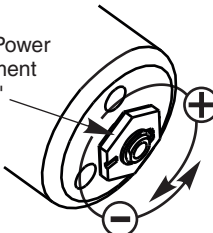
Control Valve Adjustments (See Figure 3.)

Closing Speed Controls (Figure 2A or 2B and 3.)

- Valve "S" Controls Sweep Range.
- Valve "L" Controls Latch Range.


Closing Power Control Figure 1

For 7500 Series Only
Set closer to desired size. For recommended sizes, refer to the Power Adjustment Chart on page 3.



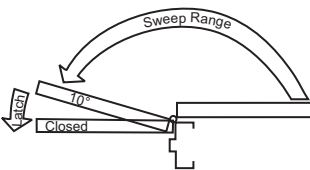
"Spring Power Adjustment Nut"

Install closer per instructions with proper pre-load applied to arm then adjust spring power. Power adjustment will not work properly if closer spring is not pre-loaded. To increase power, use 11/16" wrench to turn power adjustment nut clockwise. To decrease power, turn nut counter clockwise.

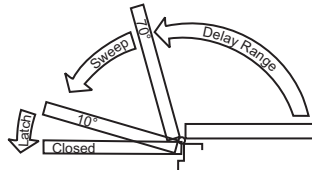


DO NOT use a power drill or driver to turn adjustment nut. This will damage closer and void warranty.

Closing Speed Controls Figure 2



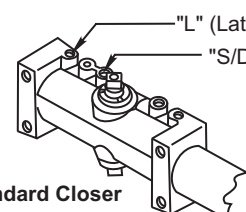
Standard Closing Cycle **2A**



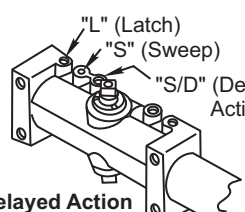
Delayed Action Closing Cycle **2B**

Adjust Closing Speed Time to between 3-7 seconds from 90°. Use of door by handicapped, elderly or small children may require greater closing time.

Closing Speed Controls Figure 3




Standard Closer



Delayed Action Closer

Do not force valves counter-clockwise out of closer body or a fluid leak will occur.

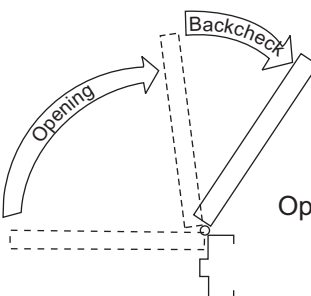


All Valves

Opening Door Control (Figure 4 and 5.)

- Backcheck ("B") valve controls the hydraulic resistance to door opening. NEVER close this valve completely – it is not to provide a positive stop.
- Backcheck position ("P") valve controls the door angle where backcheck cushioning starts. Valve normally closed.


Opening Door Controls Figure 4



Opening Cycle

Backcheck Figure 5


Backcheck Position



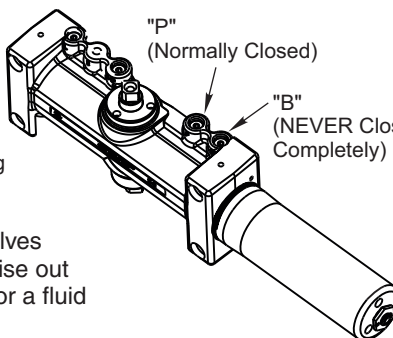
Open for backcheck later in door-opening cycle.

Backcheck Cushion

Increase



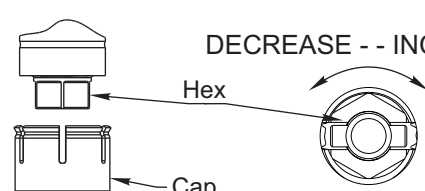
Decrease



Do not force valves counter-clockwise out of closer body or a fluid leak will occur.

Hold-Open Feature

The hold-open mechanism is controlled by the hex nut feature located on the secondary arm underneath cap. Remove cap by pulling straight down. Use a 7/16" wrench to adjust. Turning hex nut feature clockwise will increase hold-open force. Turning hex nut feature counter clockwise will reduce hold-open force. Hold-open mechanism can not be disengaged.



DECREASE -- INCREASE

Hex

Cap

DO NOT use a power drill or driver to turn adjustment nut. This will damage closer and void warranty.

Technical Product Support:
Monroe, NC 28112 USA
Phone: 877.974.2255 ext: 2
Techsupport.NortonRixson@assaabloy.com
NortonRixson.com