

7500 Non Handed Door Closer

Regular Arm
Top Jamb Mount
Parallel Arm
With or without DA suffix (delayed action)
With or without M suffix (metal cover)

Non Hold Open Arm Models

Adjustable
(Sizes 1-6)

7500
J7500
JL7500
P7500



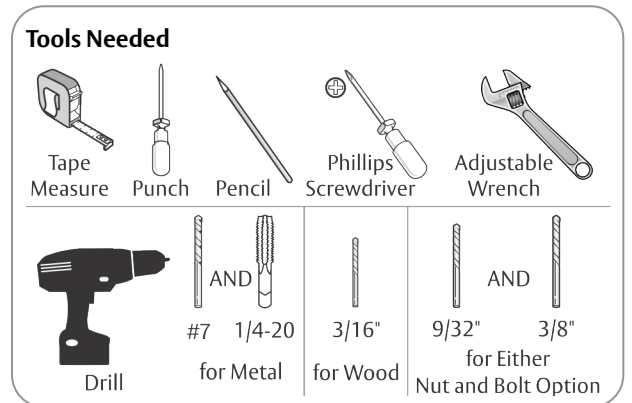
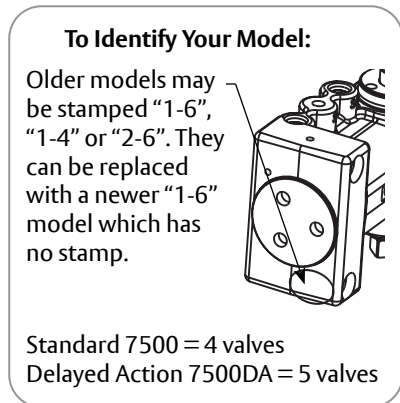
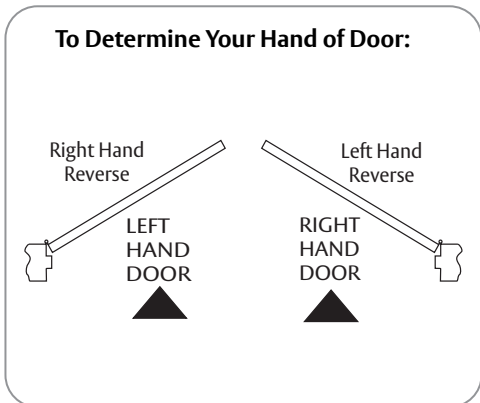
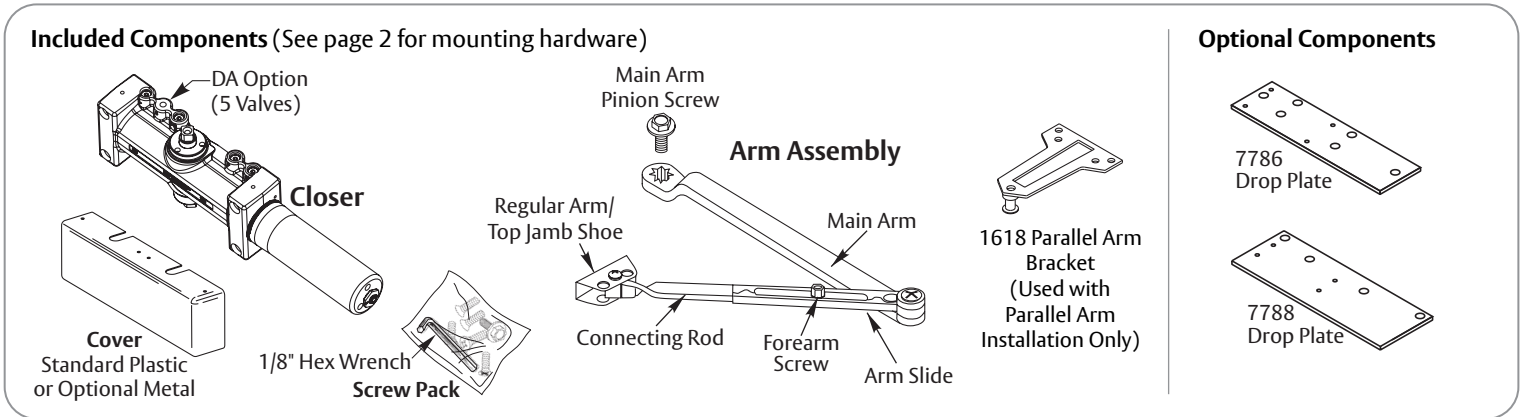
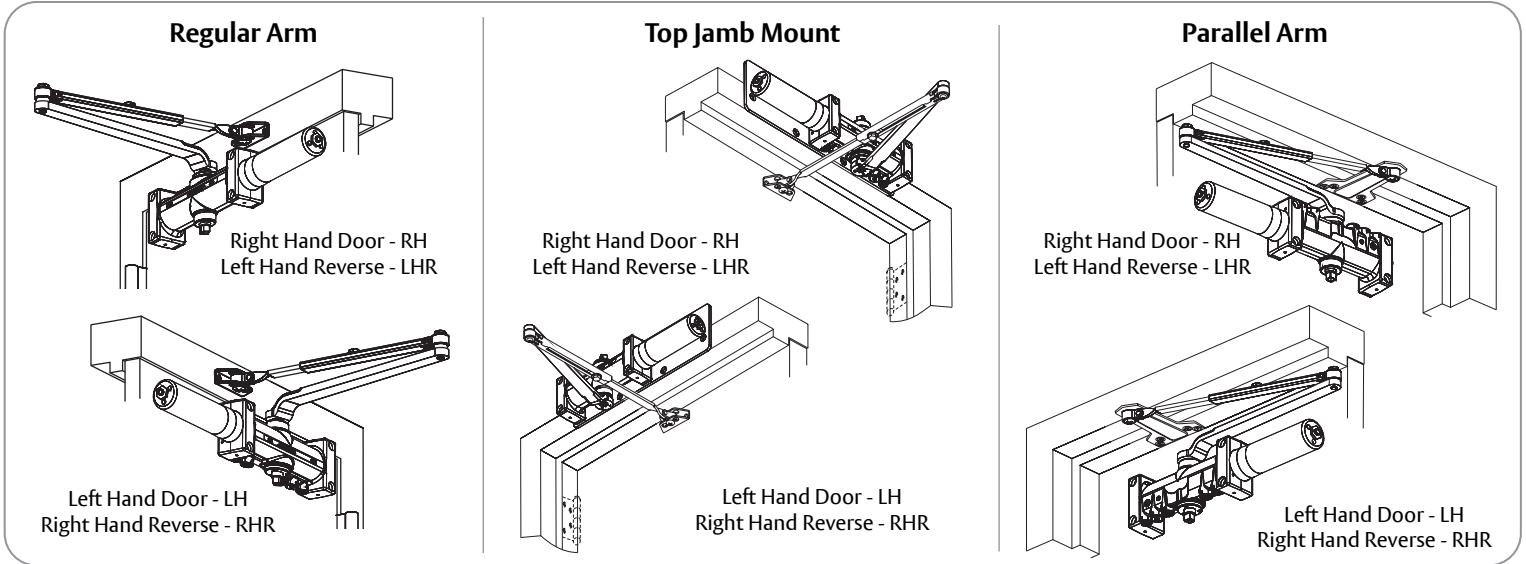
NORTON RIXSON

ASSA ABLOY

⚠ WARNING

This product can expose you to lead which is known to the state of California to cause cancer and birth defects or other reproductive harm. For more information go to www.P65warnings.ca.gov.

Ce produit peut vous exposer au plomb qui, dans l'état de la Californie, est reconnu pour causer le cancer, des anomalies congénitales ou d'autres problèmes de reproduction. Pour plus d'informations, visitez: www.P65warnings.ca.gov.









ATTENTION:

An incorrectly installed or improperly adjusted door closer can cause property damage or personal injury. These installation instructions should be followed to avoid the possibility of misapplication or misadjustment.

- For special applications, a separate door and frame preparation template is packed with these instructions. Use these instructions for installation sequence and closer adjustments only.
- 7500 Series closing force is adjustable from 1-6 as outlined in ANSI Standard A156.4. When closer is adjusted to conform to ADA reduced opening force requirements (5 lbs max.) for interior doors, it may not have adequate closing force to reliably close and latch door. Charted power adjustments in instructions are recommended where possible, to ensure proper door control.

- Doors should be hung on ball bearing or anti-friction hinges.
- A separate door stop is recommended.
- Always consult door/frame manufacturer for fastener compatibility.
- Door and frame must be properly reinforced.
- Adjust closing time speed between 3 - 7 seconds from 90° - 0°.
- These door closers should NOT be installed on exposed side (weather side) of exterior doors.
- Dimensions are given in inches (millimeters).

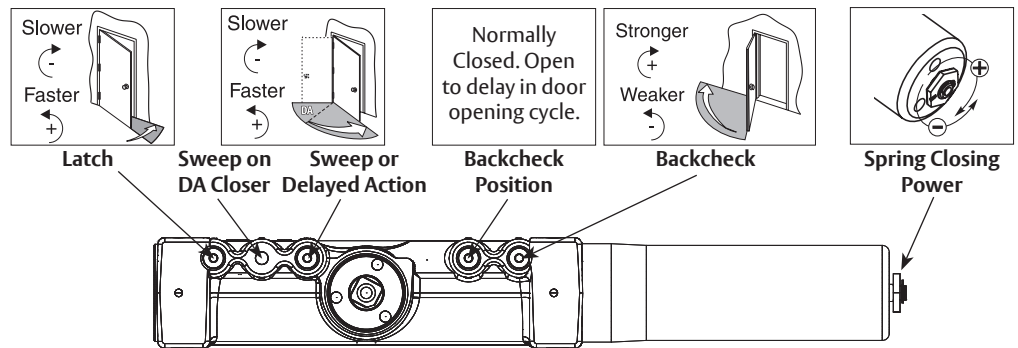
Mounting Hardware	Door or Frame	Drill
 <p>Arm Shoe or Optional PA Bracket: 1/4-14 x 1-1/2 Flat Head Self Drilling Screw</p>	Wood	3/16" (4.76mm)
	Aluminum or Metal	no drill required
 <p>Closer: 1/4-14 x 3 Flat Head Self Drilling Screw</p>	Wood	3/16" (4.76mm)
	Aluminum or Metal	no drill required
 <p>Arm Shoe or Optional PA Bracket: 1/4-20 x 1-1/2 Oval Head Machine Screw</p>	Metal	Drill #7 (.201 dia. or 5.10mm) Tap 1/4-20
 <p>Arm to Optional PA Bracket: 1/4-20 x 1/2 Oval Head Machine Screw</p>	N/A	N/A
 <p>Closer or Arm Shoe: Sleeve Nut and Bolt (SNB) (optional)</p>	Hollow Metal	9/32" (7.00mm) thru 3/8" (9.50mm) door face opposite to closer
	Aluminum or Wood	3/8" (9.50mm) thru
 <p>Closer or Arm Shoe: Thru Bolt and Grommet Nut (TBGN) (optional)</p>	All	9/32" (7.00mm) thru 3/8" (9.50mm) dia. x 3/8" (9.500mm) deep, door face opposite to closer

Closer Adjustments



Use provided hex wrench to turn valves.
NEVER force valves out of closer.
NEVER completely close backcheck valve.

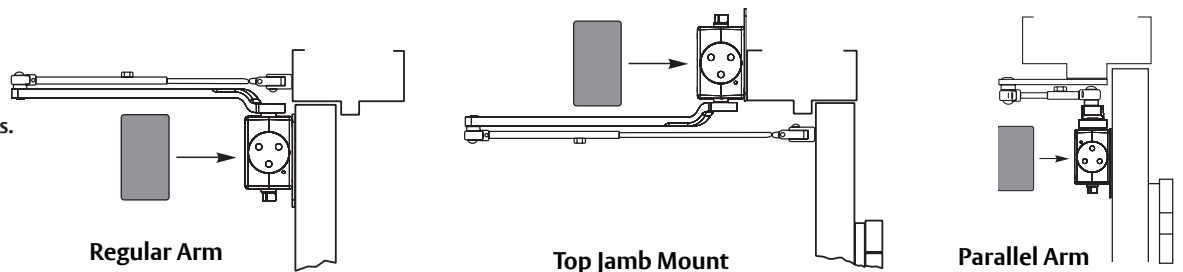
Door must be open to adjust spring closing power. Refer to specific charts on installation pages. **Do not use a power drill. Warranty will be void.**



Cover

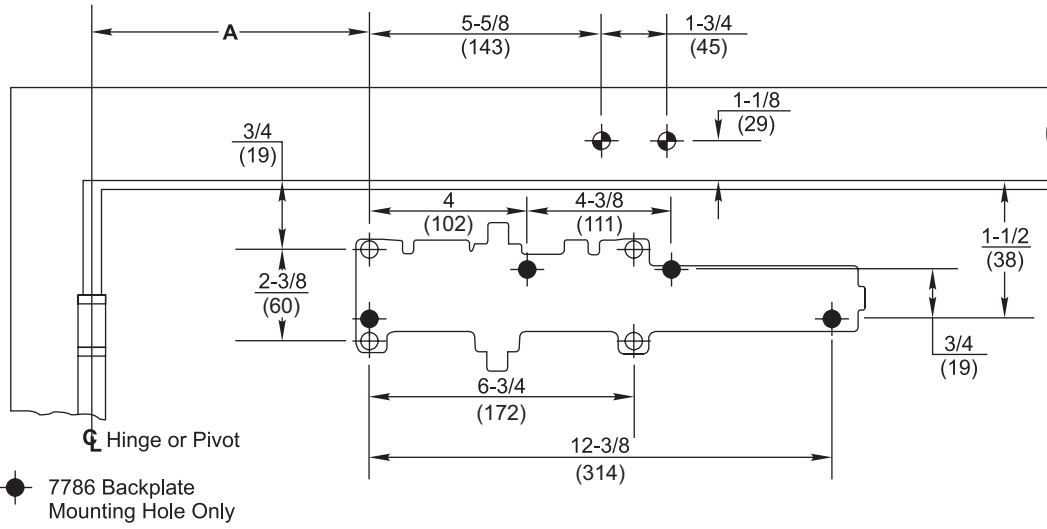


Do not over tighten screws.



7500 Regular Arm Installation (Right Hand Shown)

1. Prepare door and frame.

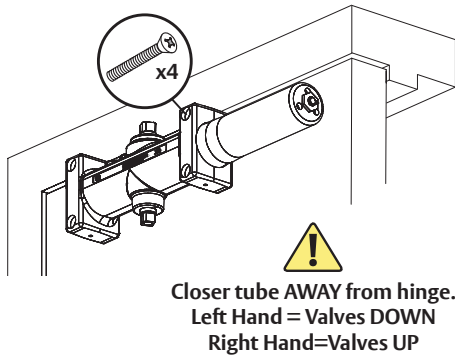


Opening	Dim A
	inches (mm)
To 100°	7-5/8 (194)
101° to 120°	6-5/8 (168)
121° to 150°	4-5/8 (117)
151° to 180°	4-1/8 (105)

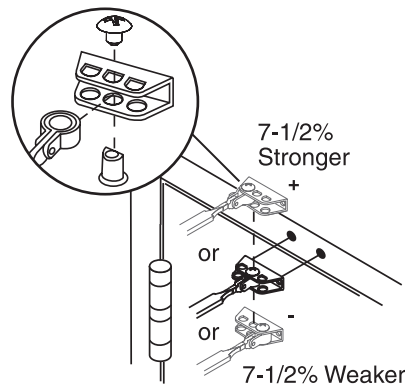
Maximum Interior Door Size inches (mm)	Maximum Exterior Door Size inches (mm)	Turns from Zero
32 (813)	28 (711)	5
36 (914)	34 (864)	8-1/2
42 (1067)	38 (965)	11
52 (1321)	42 (1067)	13-1/2
60 (1524)	48 (1219)	16-1/2

NOTE: Maximum of 16-1/2 turns (360°) of Power Adjustment Nut.

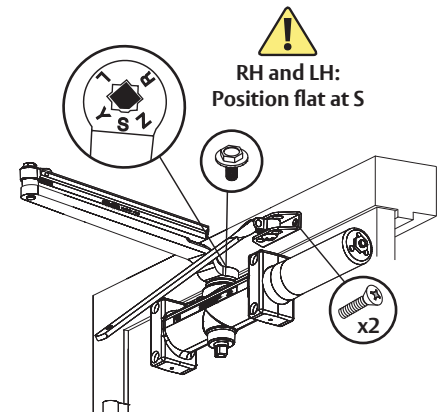
2. Mount optional backplate and/or closer to door.



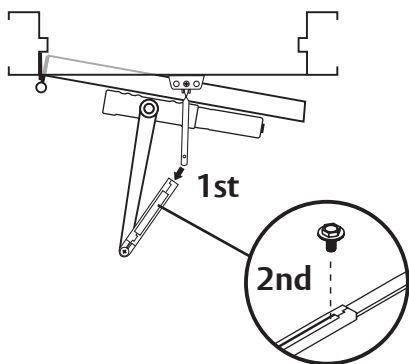
3a. Choose arm placement in shoe.



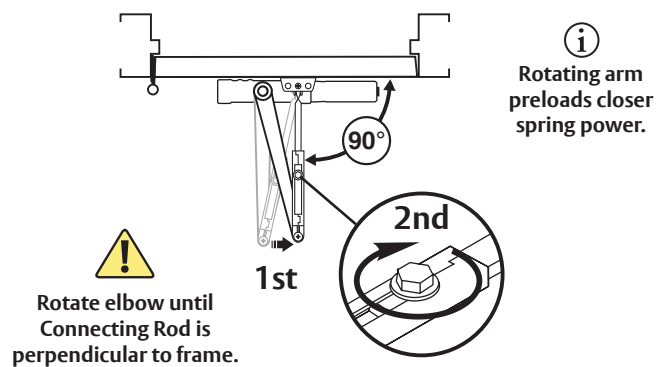
3b. Install separate arms.



4. Connect arms and install forearm screw.



5. Preload spring and tighten forearm screw.

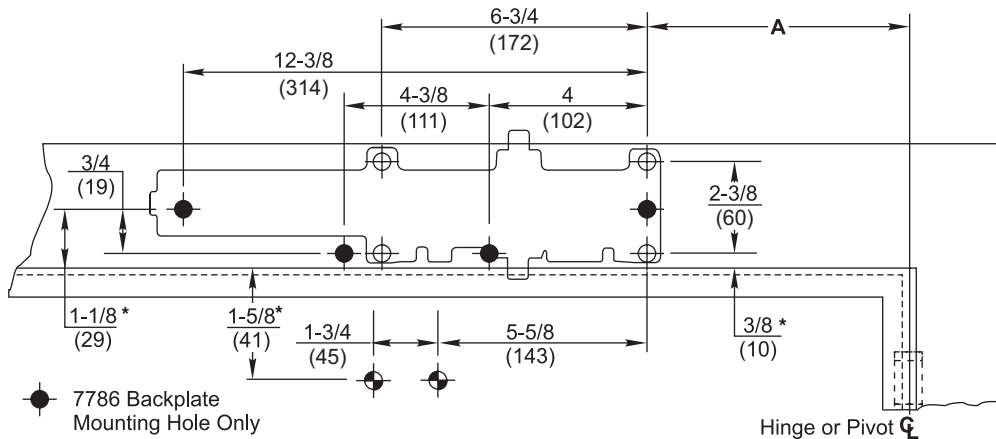


You've installed the 7500 Non Hold Open Closer - Regular Arm.

● Go to page 2 for closer adjustments and cover installation.

7500 Top Jamb Mount Installation (Right Hand Shown)

1. Prepare door and frame.



Opening	Dimension A
	inches (mm)
To 100°	7-5/8 (194)
101° to 120°	6-5/8 (168)
121° to 150°	4-5/8 (117)
151° to 180°	4-1/8 (105)

Power Adjustment Chart

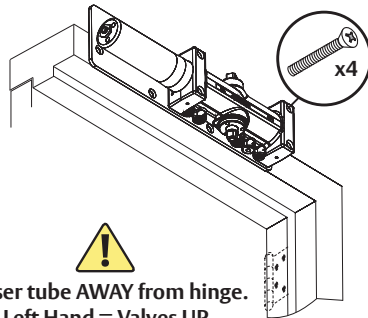
Maximum Interior Door Size inches (mm)	Maximum Exterior Door Size inches (mm)	Turns from Zero
32 (813)	28 (711)	5
36 (914)	34 (864)	8-1/2
42 (1067)	38 (965)	11
52 (1321)	42 (1067)	13-1/2
60 (1524)	48 (1219)	16-1/2

NOTE: Maximum of 16-1/2 turns (360°) of Power Adjustment Nut.

Reveal Range	Door Swing	Model	Complete Arm	Adjusting Rod
Under 3" (76)	180°	7500	7701-1	7701-11
3" to 4-1/4" (76 to 108)	180°	J7500	7701-1A	7701-11A
4-1/4" to 6-7/8" (108 to 175)	150°	J7500	7701-1A	7701-11A
4-1/4" to 6-7/8" (108 to 175)	180°	J17500	7701-1B	7701-11B

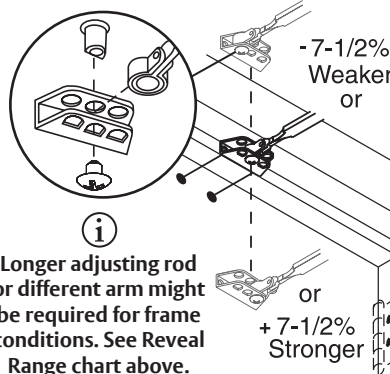
* Always use frame or transom rabbet as reference plane, not bottom of stop.

2. Mount optional backplate and/or closer to frame.



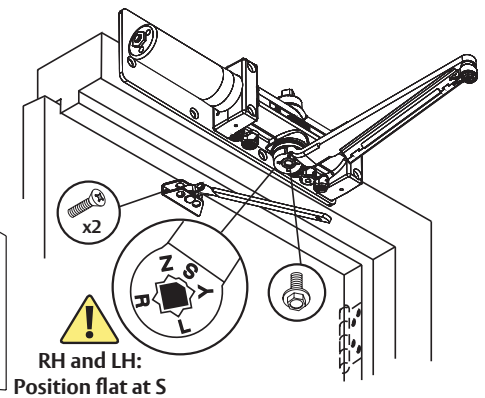
! Closer tube AWAY from hinge.
Left Hand = Valves UP
Right Hand = Valves DOWN

3a. Choose arm placement in shoe.



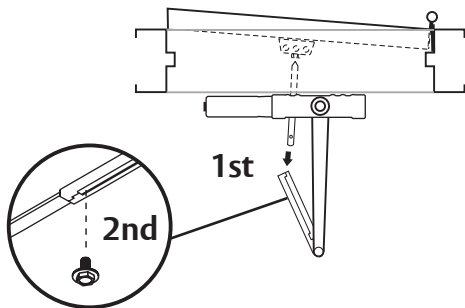
i Longer adjusting rod or different arm might be required for frame conditions. See Reveal Range chart above.

3b. Install separate arms.

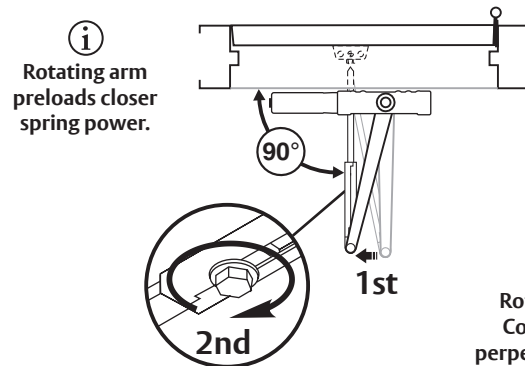


! RH and LH: Position flat at S

4. Connect arms and install forearm screw.



5. Preload spring and tighten forearm screw.



i Rotating arm preloads closer spring power.

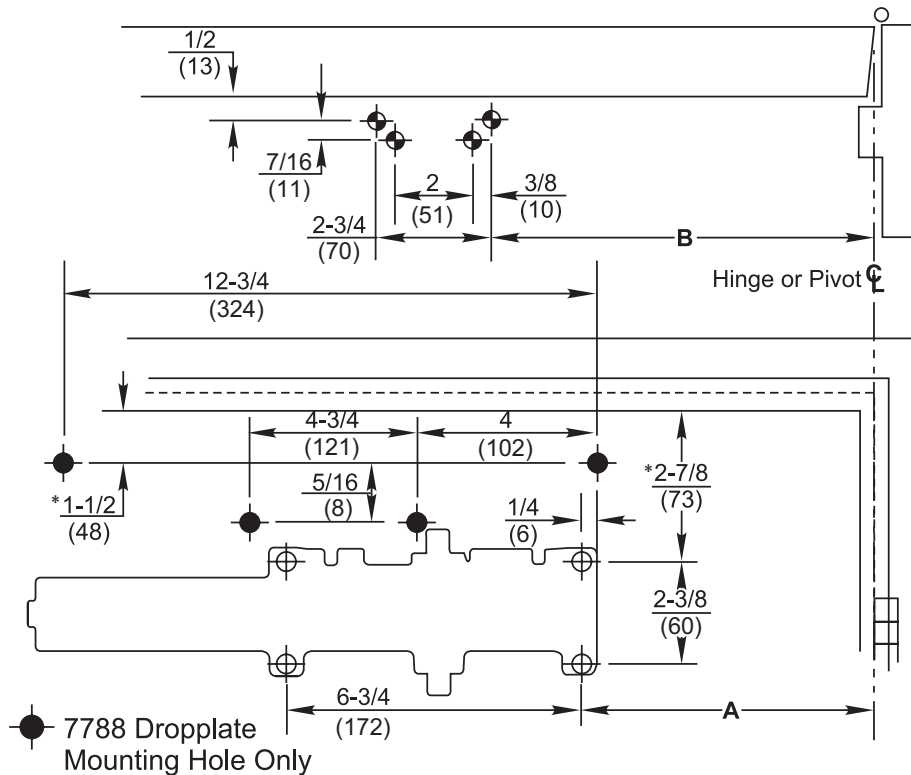
! Rotate elbow until Connecting Rod is perpendicular to frame.

You've now installed the 7500 Non Hold Open Closer - Top Jamb Mount.

● Go to page 2 for closer adjustments and cover installation.

7500 Parallel Arm Installation (Right Hand Shown)

1. Prepare door and frame.



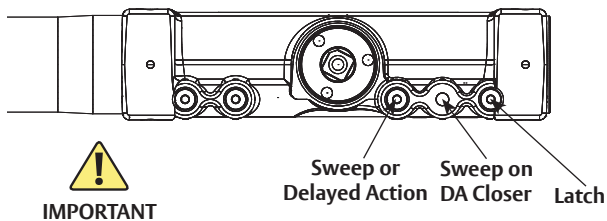
Opening	Dimension A	Dimension B
	inches (mm)	inches (mm)
To 100°	8-3/4 (222)	9-1/4 (235)
101° to 130°	7-1/4 (184)	7-3/4 (197)
131° to 150°	6-1/4 (159)	6-3/4 (171)
151° to 180°	5-1/4 (133)	5-3/4 (146)

Power Adjustment Chart		
Maximum Interior Door Size inches (mm)	Maximum Exterior Door Size inches (mm)	Turns from Zero
30 (762)	26 (660)	7
34 (864)	30 (762)	9
38 (965)	36 (914)	12-1/2
48 (1219)	42 (1067)	14-1/2
54 (1372)	48 (1219)	16-1/2

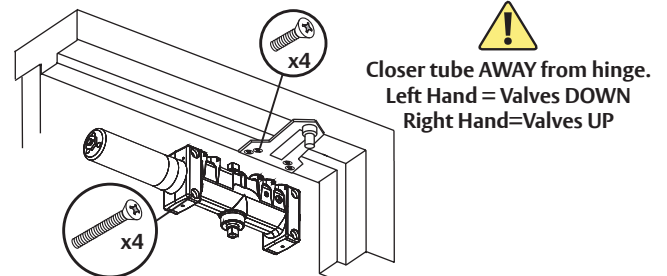
NOTE: Maximum of 16-1/2 turns (360°) of Power Adjustment Nut.

*Assuming 5/8" (16) stop height

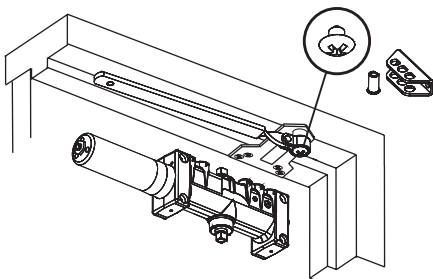
2. Close latch and sweep valves.



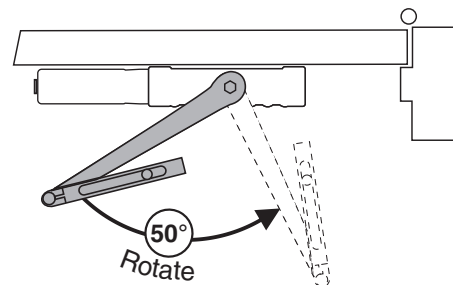
3. Install soffit plate and mount optional backplate and/or closer.



4. Remove arm shoe and install forearm to plate.

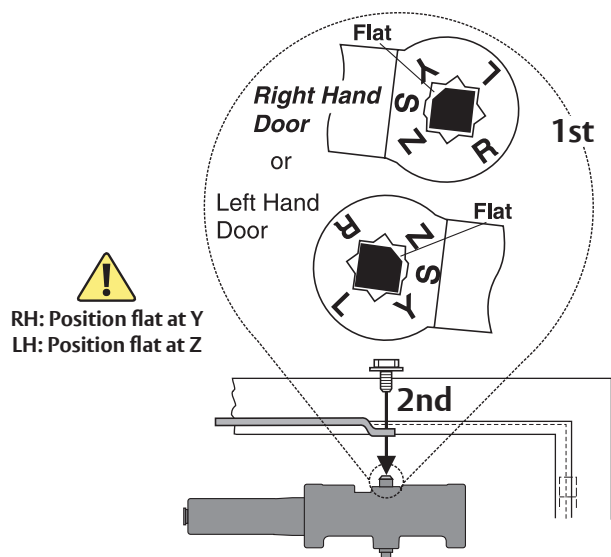


5. Place main arm on closer spindle and rotate approximately 50 degrees.

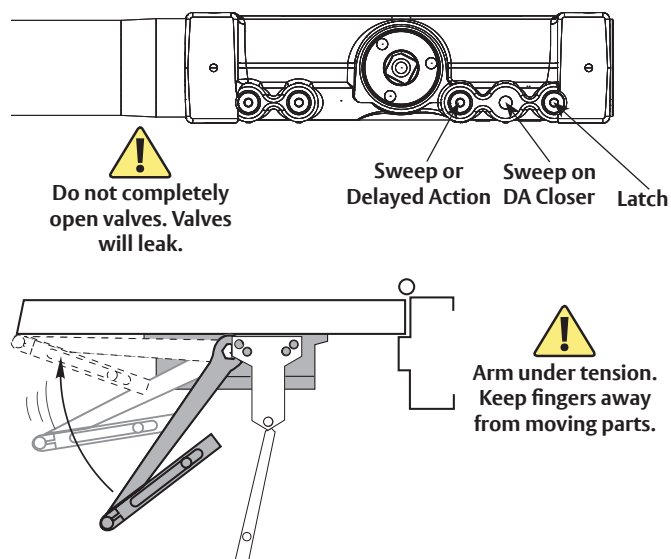


7500 Parallel Arm Installation (Right Hand Shown) continued

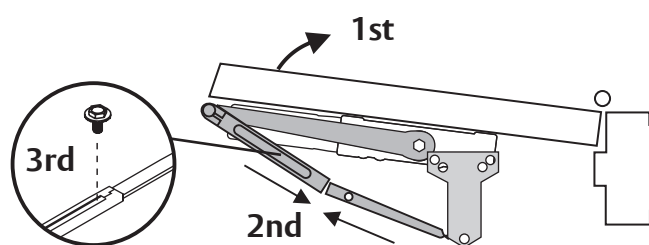
6. Remove arm and attach as shown.



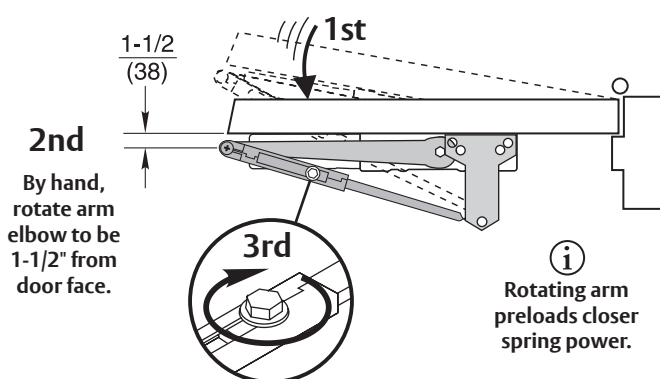
7. Open latch and sweep valves.



8. Connect arms and install forearm screw.



9. Preload spring and tighten forearm screw.



You've now installed the **7500 Non Hold Open Closer - Parallel Arm**.

● Go to page 2 for closer adjustments and cover installation.