

Do not scale drawing  
 Right hand door shown  
 Dimensions are in inches  
 (mm.)

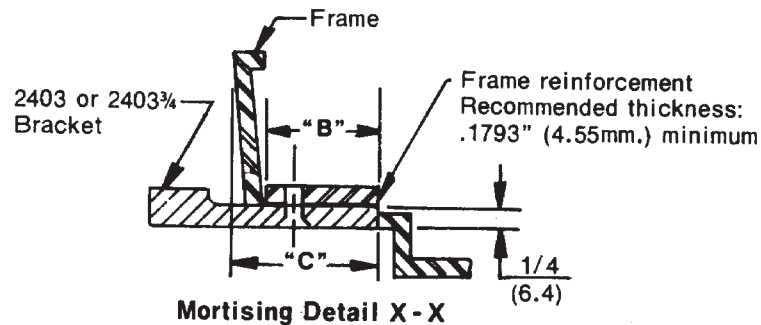
Opening	Dimension "A"	
	inches	mm.
To 100°	7-5/8	194
100° to 120°	6-5/8	168
120° to 150°	4-5/8	117
150° to 180°	4-1/8	105

**Caution:** Door swing may be limited by door, frame, wall, or hardware conditions (including closer projection).

Hollow-metal doors require channel or box-type reinforcement when thru-bolt mount is specified.

Sex-bolts required for wood or plastic faced fire-door mounting.

Minimum thickness recommended for reinforcements in hollow-metal doors and frames: .1046" (2.66mm.) unless otherwise noted.



Bracket	Dimension "B"				Dimension "C"	
	Maximum		Minimum		Maximum	
	inches	mm.	inches	mm.	inches	mm.
2403	2	51	1-1/2	38	2-1/4	57
2403 3/4	2-3/4	70			3	76

Preparation for Fasteners			
Fasteners		Door or Frame	Drill-Sizes
Standard	#14 type "A" S.M. screw Arm: 1-1/4" (32mm.) Closer: 2-3/4" (70mm.)	Wood	3/16" (4.30mm.)
		Aluminum	7/32" (5.50mm.)
	1/4-20 machine-screw	Metal	drill: #7 (.201" dia.) tap: 1/4-20
Optional	Sex-nuts and bolts	Hollow-Metal	9/32" (7.00mm.) through; 3/8" (9.50mm.) on door or transom-face opposite to closer
		Aluminum or Wood	3/8" (9.50mm.) through
	Through-bolts and grommet-nuts	All	9/32" (7.00mm.) through; 3/8" (9.50mm.) dia. x 3/8" (10mm.) deep on door or transom-face opposite to closer

**7500, 7700, 7700COU and 7700TEL Series Door Closers  
 With 2403 or 2403-3/4 Bracket  
 With or Without 7786 Backplate  
 Regular Arm Installation With Non Hold Open Arm**



**ASSA ABLOY**

TEMPLATE NUMBER	REV	DATE
<b>7377-0103</b>	<b>3</b>	<b>12/21</b>