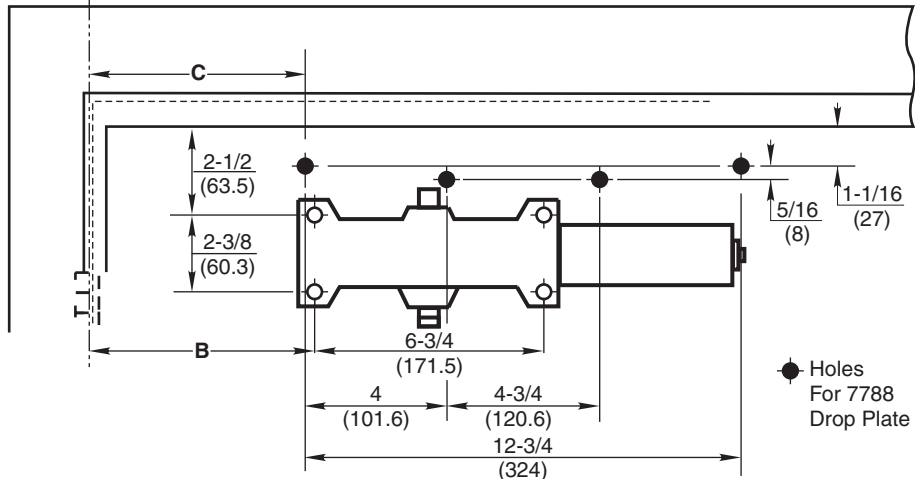


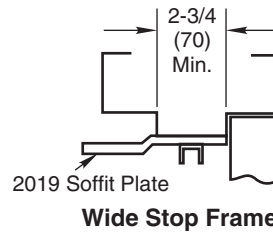
Opening ★	Dim. "A"		Dim. "B"		Dim. "C"	
	inches	mm	inches	mm	inches	mm
85°	10-5/8	270	10-1/8	257	9-7/8	251
90°	9-3/4	247.5	9-1/4	235	9	228.5
95°	9-1/8	232	8-5/8	219	8-3/8	212.5
100°	8-3/8	212.5	7-7/8	200	7-5/8	193.5
105°	7-7/8	200	7-3/8	187.5	7-1/8	181
110°	7-1/4	184	6-3/4	171.5	6-1/2	165

★ Template dimensions are for hold open/door stop within ±2° of charted door openings. Doors may overtravel up to 5° beyond the rest position.

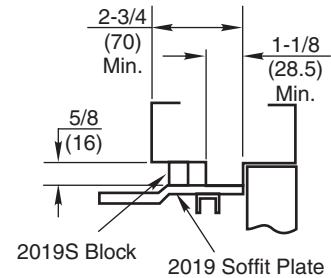
C Hinge or Pivot



● Holes
 For 7788
 Drop Plate



Wide Stop Frame

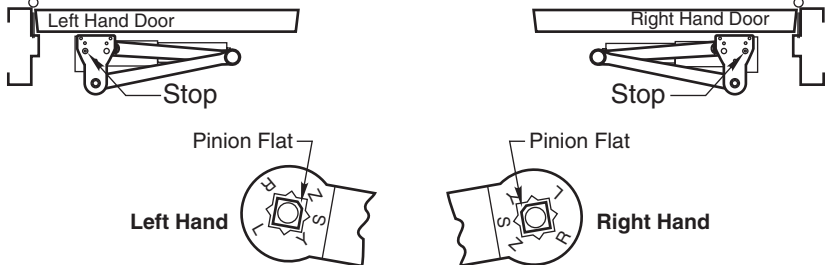


Narrow Stop Frame

NOTES:

1. Do not scale drawing.
2. Left hand door shown.
3. Dimensions are in inches (mm).
4. Hollow-metal doors require channel or box-type reinforcement when thru-bolt mount is specified.
5. Sex-bolts required for wood or plastic faced fire-door mounting.
6. Minimum thickness recommended for reinforcements in hollow-metal doors and frames: .0146" (2.66mm).
7. Hold Open function "T" Suffix, is not permitted in a fire-door assembly.
8. Maximum width hinges for this template are 5" (127mm)

Top View Typical Installation



Left Hand

Right Hand

For Adjustment Instructions See inside Closer Cover

Fasteners	Frame	Door	Drill-Sizes
#14 Type A Sheet Metal Screw	Wood	none	3/16" (4.8 mm) Pilot Hole Required
1/4" - 20 machine screw	Metal	none	Drill: #7 (0.201" dia.) or 5.1mm Tap: 1/4" - 20
Sleeve nuts and bolts	none	Hollow Metal	9/32" (7 mm) through; 3/8" (9.5 mm) door face opposite to closer
		Aluminum or Wood	3/8" (9.5 mm) through

**CLP-7500, CLP-7700 CloserPlus® Arm Door Closer or
 CPS-7500, CPS-7700 CloserPlus Spring™ Arm Door Closer
 Parallel Arm Application With or Without 7788 Drop Plate
 Arm Function: Stop Only or Stop & Hold Open ("T" or "R" Suffix)
 Power Size 1-6 Approved, 2022-05-25**



TEMPLATE NUMBER	REV	DATE
7377-1301	4	12/21