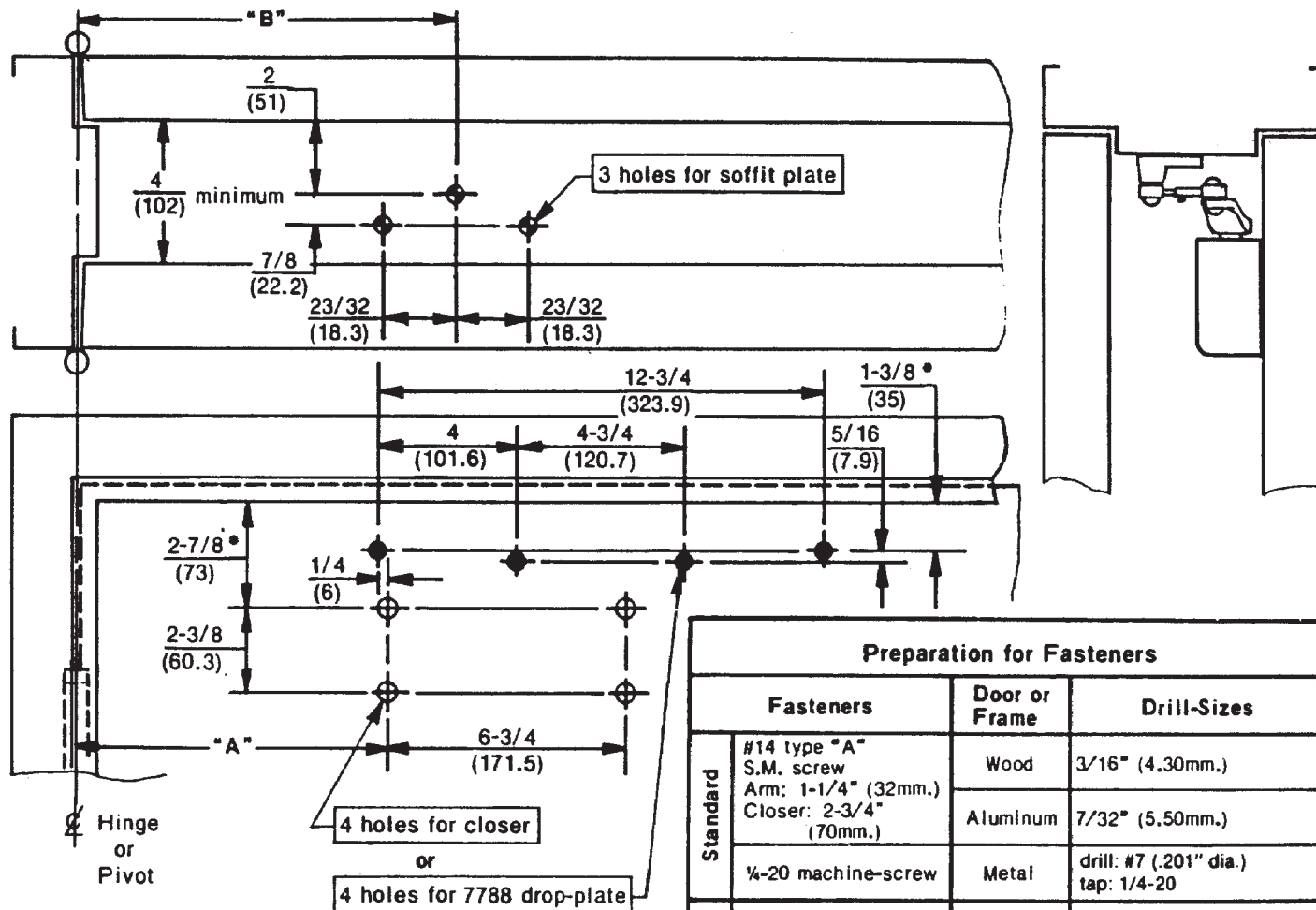


Opening	Dim. "A"		Dim. "B"	
	inches	mm	inches	mm
To 100°	8-3/4	222	9-1/4	235
101° to 130°	7-1/4	184	7-3/4	197
131° to 150°	6-1/4	159	6-3/4	171
151° to 180°	5-1/4	133	5-3/4	146



Do not scale drawing
 Left hand door shown
 Dimensions are in $\frac{\text{inches}}{\text{(mm.)}}$

Caution: Door swing may be limited by door, frame, wall, or hardware conditions.

*Measure from soffit-plate mounting surface. 2018 soffit-plate may be applied onto frame-rabbit when frame-stop-height does not exceed 5/8" (16mm.).

Hollow-metal doors require channel or box-type reinforcement when thru-bolt mount is specified.

Sex-bolts required for wood or plastic faced fire-door mounting.

Minimum thickness recommended for reinforcements in hollow-metal doors and frames: .1046" (2.66mm.) unless otherwise noted.

Preparation for Fasteners			
	Fasteners	Door or Frame	Drill-Sizes
Standard	#14 type "A" S.M. screw Arm: 1-1/4" (32mm.) Closer: 2-3/4" (70mm.)	Wood	3/16" (4.30mm.)
		Aluminum	7/32" (5.50mm.)
	1/4-20 machine-screw	Metal	drill: #7 (.201" dia.) tap: 1/4-20
Optional	Sex-nuts and bolts	Hollow-Metal	9/32" (7.00mm.) through; 3/8" (9.50mm.) on door or transom-face opposite to closer
		Aluminum or Wood	3/8" (9.50mm.) through
	Through-bolts and grommet-nuts	All	9/32" (7.00mm.) through; 3/8" (9.50mm.) dia.-x 3/8" (10mm.) deep on door or transom-face opposite to closer

**P7500 and P7700 Series Door Closers
 With 2018 Soffit Plate
 With or Without 7788 Drop Plate
 Parallel Arm Installation With Non-Hold Open Arm**



ASSA ABLOY

TEMPLATE NUMBER	REV	DATE
7377-0203	3	12/21