

# 7570/7770 Security Non Handed Door Closer

Regular Arm

With or without DA suffix (delayed action)

## Non Hold Open Arm Models

7570 - Adjustable (Sizes 1-6)

7770 - Sized (Sizes 2-6)

**NORTON  
RIXSON**

**ASSA ABLOY**

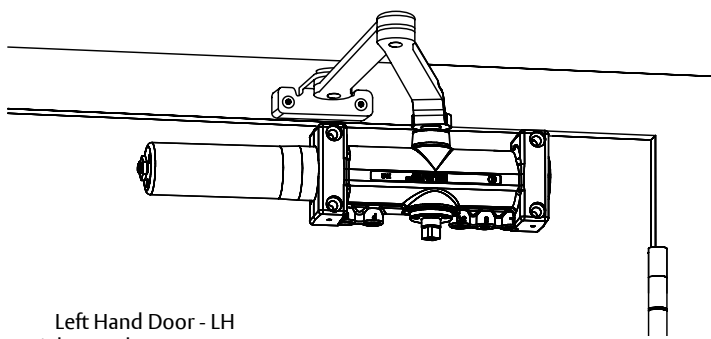


### ⚠ WARNING

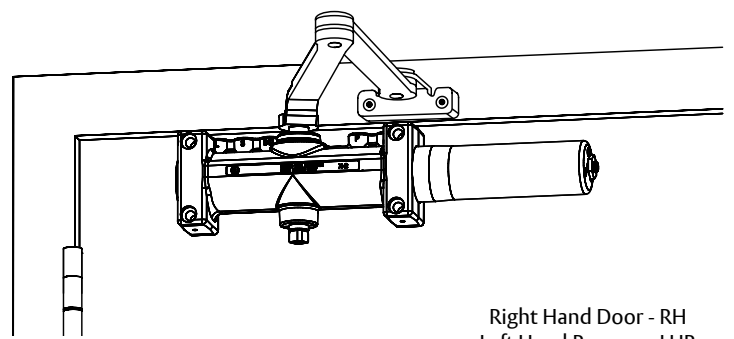
This product can expose you to lead which is known to the state of California to cause cancer and birth defects or other reproductive harm. For more information go to [www.P65warnings.ca.gov](http://www.P65warnings.ca.gov).

Ce produit peut vous exposer au plomb qui, dans l'état de la Californie, est reconnu pour causer le cancer, des anomalies congénitales ou d'autres problèmes de reproduction. Pour plus d'informations, visitez: [www.P65warnings.ca.gov](http://www.P65warnings.ca.gov).

### Regular Arm Closer mounts on PULL side of door

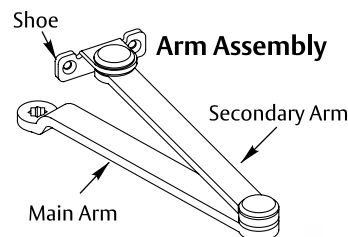
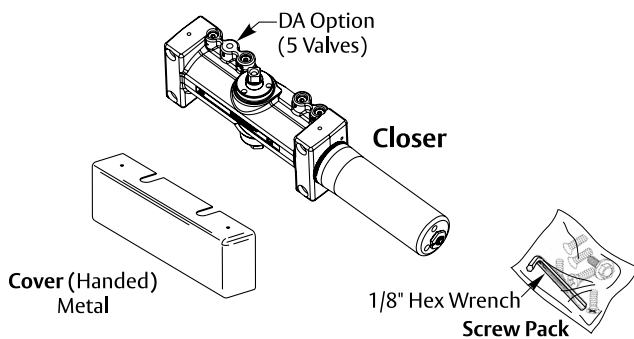


Left Hand Door - LH  
Right Hand Reverse - RHR

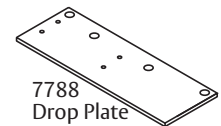


Right Hand Door - RH  
Left Hand Reverse - LHR

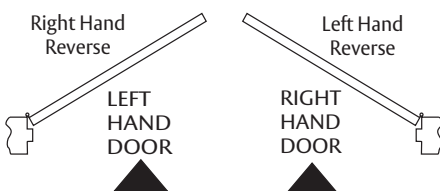
### Included Components (See page 2 for mounting hardware)



### Optional Components



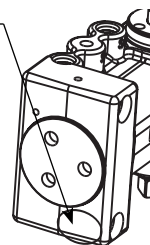
### To Determine Your Hand of Door:



### To Identify Your Model:

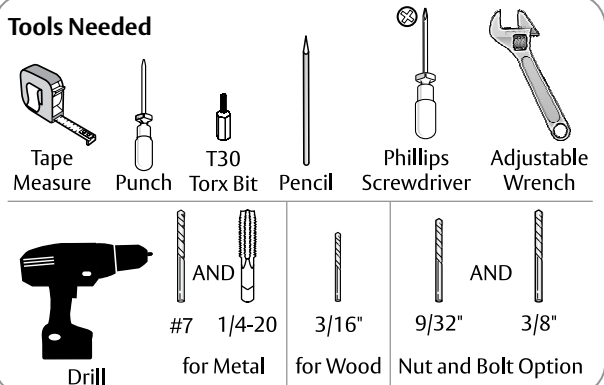
7570 models "1-6" have no stamp.

7770 models are stamped "2-6".



Standard = 4 valves  
Delayed Action DA = 5 valves




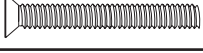

### Tools Needed



**ATTENTION:**

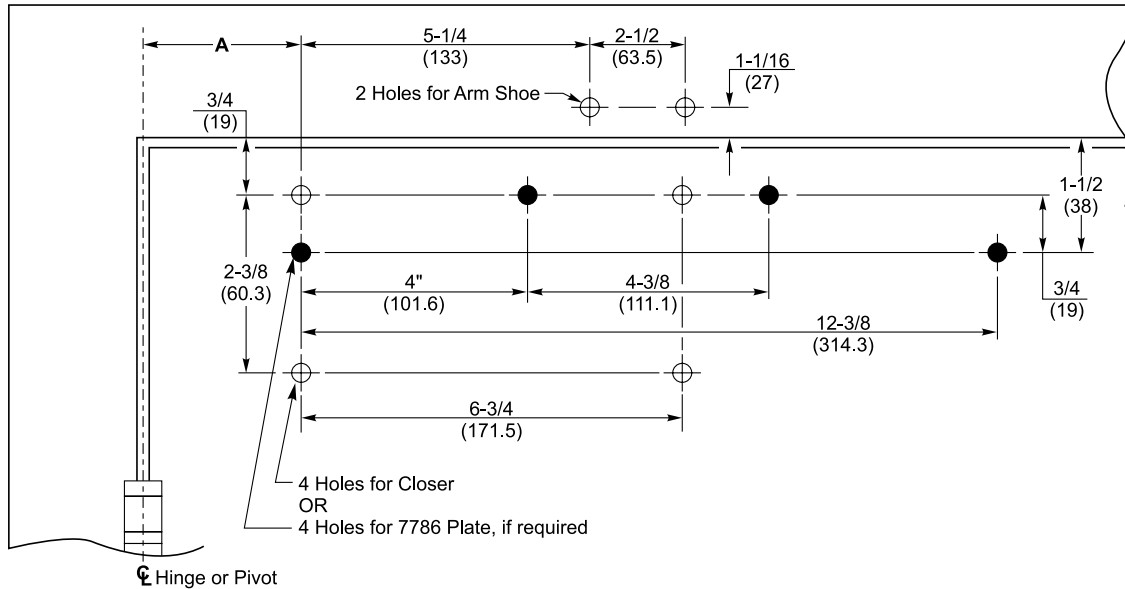
An incorrectly installed or improperly adjusted door closer can cause property damage or personal injury. These installation instructions should be followed to avoid the possibility of misapplication or misadjustment.

- For special applications, a separate door and frame preparation template is packed with these instructions. Use these instructions for installation sequence and closer adjustments only.
- 7570/7770 Series closing force is adjustable from 1-6 as outlined in ANSI Standard A156.4. When closer is adjusted to conform to ADA reduced opening force requirements (5 lbs max.) for interior doors, it may not have adequate closing force to reliably close and latch door. Charted power adjustments in instructions are recommended where possible, to ensure proper door control.
- Doors should be hung on ball bearing or anti-friction hinges.
- A separate door stop is recommended.
- Always consult door/frame manufacturer for fastener compatibility.
- Door and frame must be properly reinforced.
- Adjust closing time speed between 3 - 7 seconds from 90° - 0°. Use of door by handicapped, elderly or small children may require greater closing time.
- These door closers should NOT be installed on exposed side (weather side) of exterior doors.
- Maximum hinge side frame reveal is 1/8" (3mm).
- Dimensions are given in inches (millimeters).

|   | Mounting Hardware   | Door or Frame     | Drill   |
|---|---|-------------------|---|
|    | <b>Optional Arm Shoe:</b><br>1/4-14 x 1-1/2 Flat Head Self Drilling Screw | Wood              | 3/16" (4.76mm)  |
|   |   | Aluminum or Metal | no drill required   |
|    | <b>Optional Closer:</b><br>1/4-14 x 3 Flat Head Self Drilling Screw       | Wood              | 3/16" (4.76mm)  |
|   |   | Aluminum or Metal | no drill required   |
|    | <b>Arm Shoe:</b><br>1/4-20 x 1-1/2 Oval Head Torx Drive Screw             | Metal             | Drill #7 (.201 dia. or 5.10mm)<br>Tap 1/4-20                      |
|    | <b>Closer:</b><br>1/4-20 x 3 Flat Head Torx Drive Screw                   |                   |   |
|    | <b>Closer or Arm Shoe:</b><br>Sleeve Nut and Bolt (SNB)<br>(optional)     | Hollow Metal      | 9/32" (7.00mm) thru<br>3/8" (9.50mm) door face opposite to closer |
|   |   | Aluminum or Wood  | 3/8" (9.50mm) thru  |
| Torx drive machine screws for tamper resistance are standard.<br>Sex Nut or Self Drilling Self Tapping screws are optional. |   |                   |   |

# 7570/7770 Regular Arm Installation (Right Hand Shown)

## 1. Prepare door and frame.

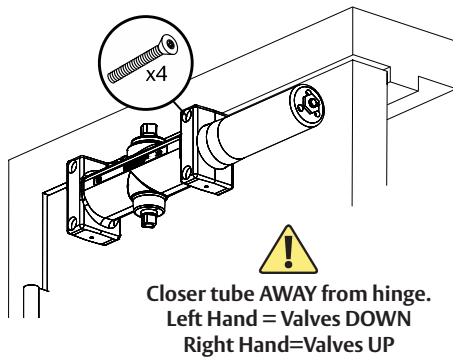


| Opening       | Dim A       |
|---------------|-------------|
|               | inches (mm) |
| To 100°       | 7-5/8 (194) |
| 101° to 120°  | 6-5/8 (168) |
| 121° to 150°  | 4-5/8 (117) |
| 151° to 180°* | 4-1/8 (105) |

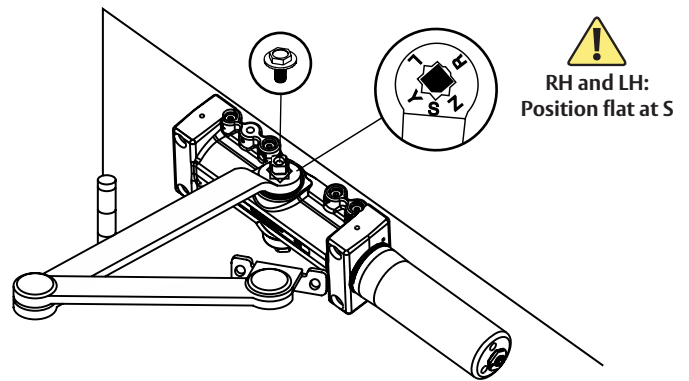
\* Hinge and wall conditions permitting, door will swing to 180°.

NOTES:  
1. Maximum hinge side frame reveal is 1/8" (3mm).


## 2. Mount optional backplate and/or closer to door.

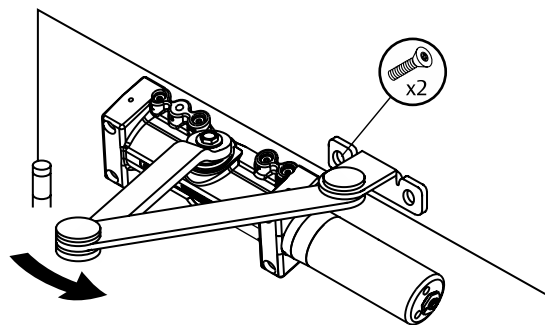


## 3. Attach main arm to closer shaft.



## 4. Fasten arm shoe to frame.

 Rotate elbow away from hinge. Arm is under spring tension and may be difficult to rotate.



You've installed the 7570/7770 Security Non Hold Open Closer - Regular Arm.

 Go to page 4 for closer adjustments and cover installation.

The ASSA ABLOY Group is the global leader in access solutions. Every day we help people feel safe, secure and experience a more open world.

## Closer Adjustments

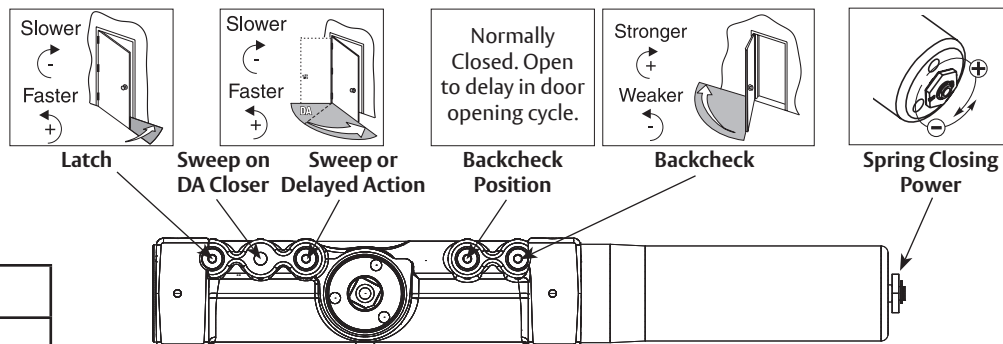


Use provided hex wrench to turn valves.  
NEVER force valves out of closer.  
NEVER completely close backcheck valve.

### Closing Power Adjustment For 7570 Models Only:

Door must be open to adjust spring closing power. Ensure proper preload is applied to closer arm before adjusting spring power.

Do not use a power drill. Warranty will be void.



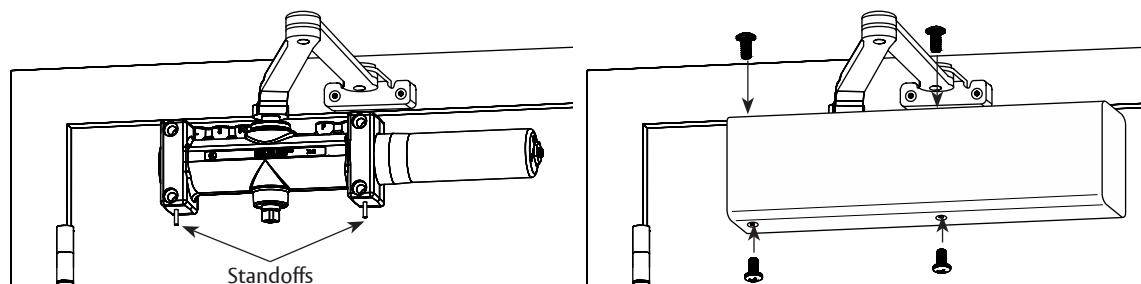
| Power Adjustment Chart                                  |                  |                  |
|---|------------------|------------------|
| Door Size<br>inches (mm)                                | Turns from Zero  |                  |
|   | Interior<br>Door | Exterior<br>Door |
| 28-32<br>(711-813)                                      | 0                | 2                |
| 33-36<br>(838-914)                                      | 2                | 5                |
| 37-42<br>(940-1067)                                     | 5                | 8                |
| 43-48<br>(102-1219)                                     | 8                | 11               |
| Note: Maximum of 16 -360° turns of Power Adjustment Nut |                  |                  |

## Security Cover



Cover is handed and cannot be reversed.

1. Fasten standoffs into closer as shown.
2. Attach cover to closer with four (4) #8-32 x 1/4 RHMS provided.



Technical Product Support:  
Monroe, NC 28112 USA  
Phone: 877.974.2255 ext: 2  
Techsupport.NortonRixson@assaabloy.com  
NortonRixson.com