

7500H Non Handed Door Closer

Regular Arm
Top Jamb Mount
Parallel Arm
With or without DA suffix (delayed action)
With or without M suffix (metal cover)

Hold Open Arm Models

Adjustable
(Sizes 1-6)

7500-H
J7500-H
JL7500-H
P7500-H



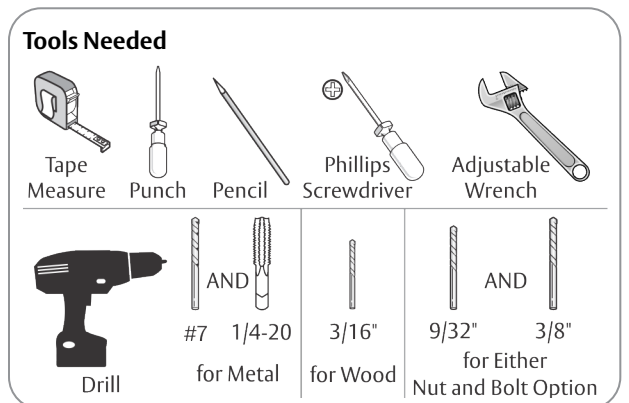
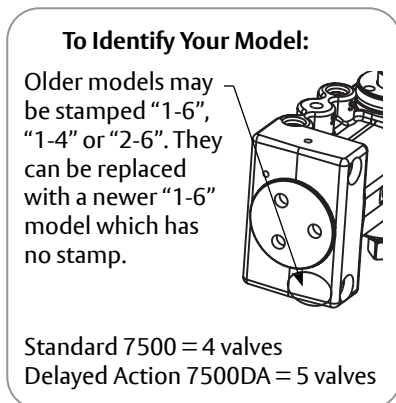
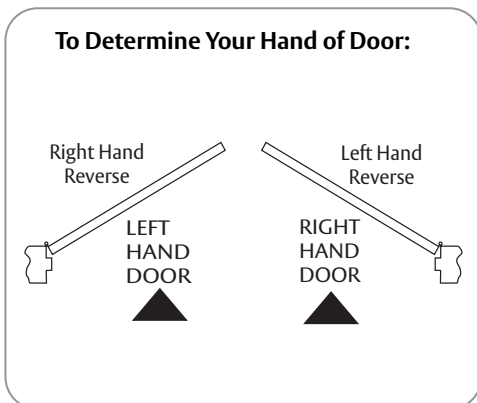
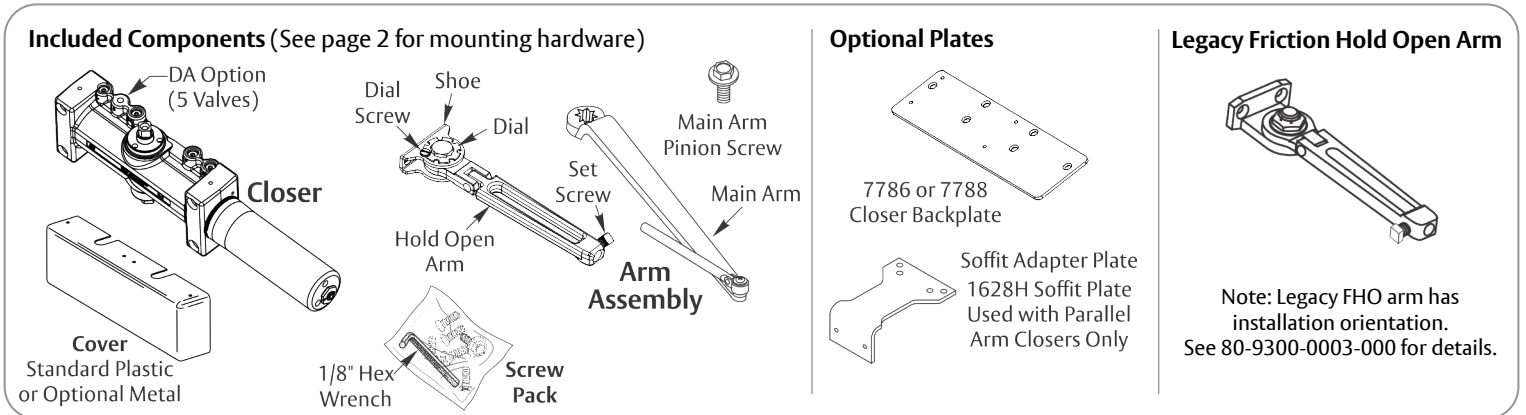
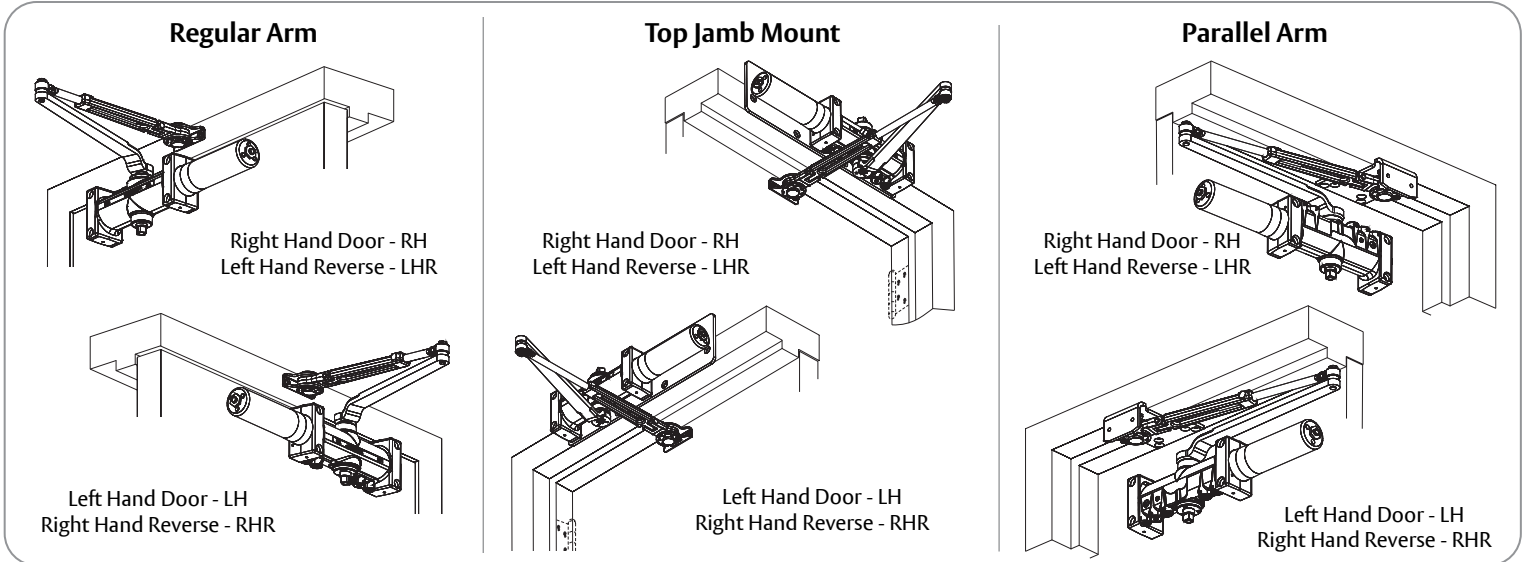
**NORTON
RIXSON**

ASSA ABLOY

⚠ WARNING

This product can expose you to lead which is known to the state of California to cause cancer and birth defects or other reproductive harm. For more information go to www.P65warnings.ca.gov.

Ce produit peut vous exposer au plomb qui, dans l'état de la Californie, est reconnu pour causer le cancer, des anomalies congénitales ou d'autres problèmes de reproduction. Pour plus d'informations, visitez: www.P65warnings.ca.gov.








ATTENTION:

An incorrectly installed or improperly adjusted door closer can cause property damage or personal injury. These installation instructions should be followed to avoid the possibility of misapplication or misadjustment.

- For special applications, a separate door and frame preparation template is packed with these instructions. Use these instructions for installation sequence and closer adjustments only.
- 7500 Series closing force is adjustable from 1-6 as outlined in ANSI Standard A156.4. When closer is adjusted to conform to ADA reduced opening force requirements (5 lbs max.) for interior doors, it may not have adequate closing force to reliably close and latch door. Charted power adjustments in instructions are recommended where possible, to ensure proper door control.

- Doors should be hung on ball bearing or anti-friction hinges.
- A separate door stop is recommended.
- Always consult door/frame manufacturer for fastener compatibility.
- Door and frame must be properly reinforced.
- Adjust closing time speed between 3 and 7 seconds from 90° to 0°.
- These door closers should NOT be installed on exposed side (weather side) of exterior doors.
- Dimensions are given in inches (millimeters).

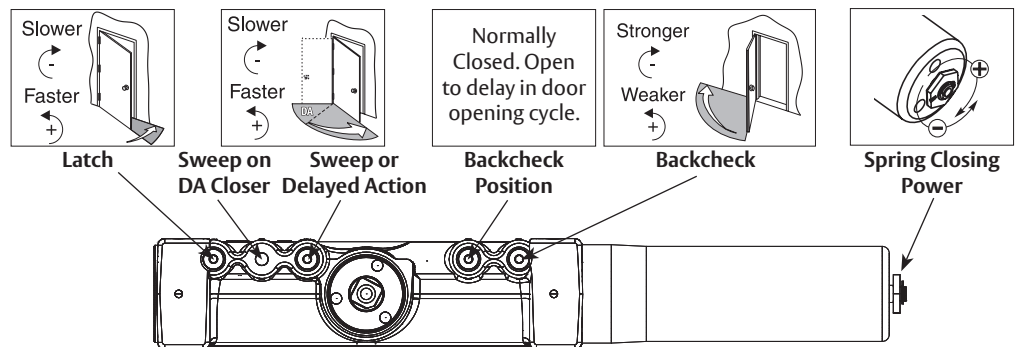
| Mounting Hardware | | Door or Frame | Drill |
|---|--|------------------|--|
|  | Closer, H/O Shoe or Optional PA Bracket: 1/4-14 x 1-1/2 Oval Flat Head Mach. Screw | Wood | 3/16" (4.76mm) |
|  | Closer, H/O Shoe or Optional PA Bracket: 1/4-20 x 3/4 Oval Flat Head Mach. Screw | Metal | Drill #7 (.201 dia. or 5.10mm) Tap 1/4-20 |
|  | H/O Shoe to Optional PA Bracket: 1/4-20 x 1/2 Oval Flat Head Mach. Screw | | |
|  | Closer: Sleeve Nut and Bolt (SNB) (optional) | Hollow Metal | 9/32" (7.00mm) thru 3/8" (9.50mm) door face opposite to closer |
| | | Aluminum or Wood | 3/8" (9.50mm) thru |
|  | Closer: Thru Bolt and Grommet Nut (TBGN) (optional) | All | 9/32" (7.00mm) thru 3/8" (9.50mm) dia. x 3/8" (9.500mm) deep, door face opposite to closer |

Closer Adjustments



Use provided hex wrench to turn valves.
NEVER force valves out of closer.
NEVER completely close backcheck valve.

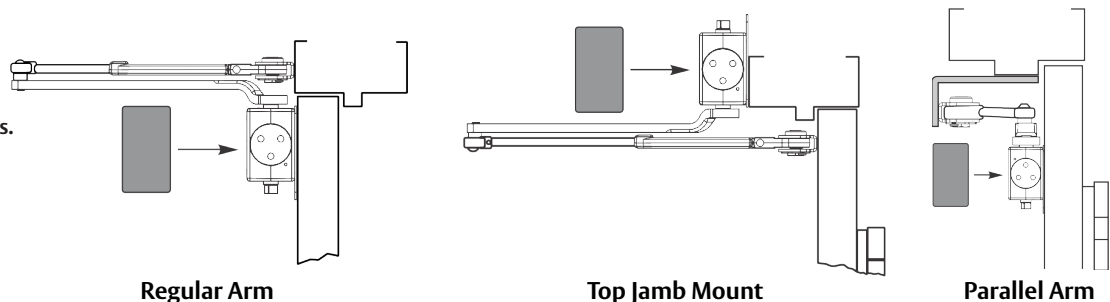
Door must be open to adjust spring closing power. Refer to specific charts on installation pages. **Do not use a power drill. Warranty will be void.**



Cover

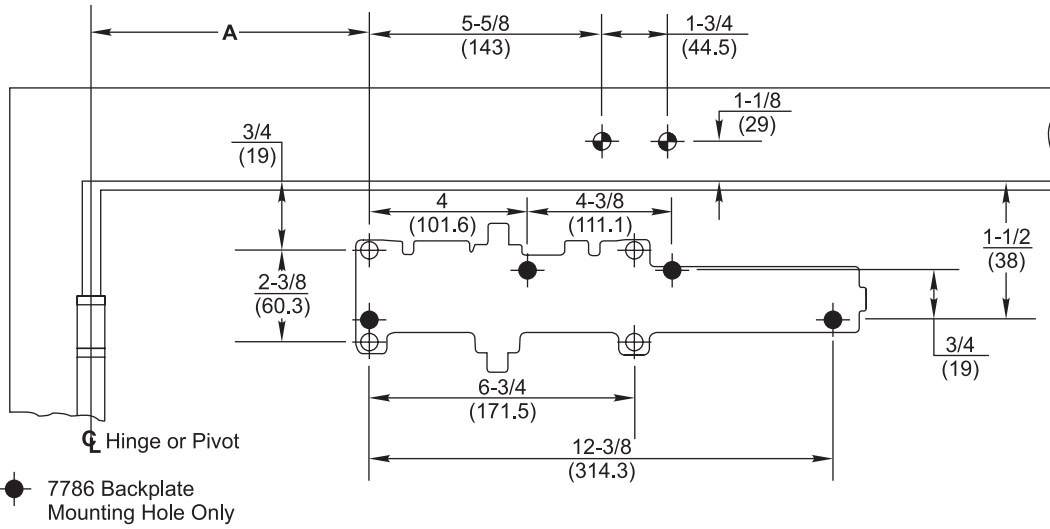


Do not over tighten screws.



7500H Regular Arm Installation (Right Hand Shown)

1. Prepare door and frame.

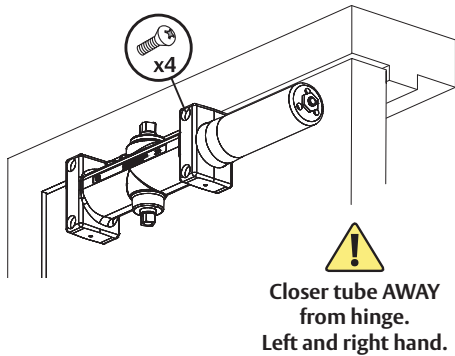


| Opening | Dim A |
|--------------|-------------|
| | inches (mm) |
| To 100° | 7-5/8 (194) |
| 101° to 120° | 6-5/8 (168) |
| 121° to 150° | 4-5/8 (117) |
| 151° to 180° | 4-1/8 (105) |

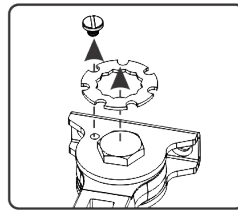
| Power Adjustment Chart | | |
|--|--|-----------------|
| Maximum Interior Door Size inches (mm) | Maximum Exterior Door Size inches (mm) | Turns from Zero |
| 32 (813) | 28 (711) | 5 |
| 36 (914) | 34 (864) | 8-1/2 |
| 42 (1067) | 38 (965) | 11 |
| 52 (1321) | 42 (1067) | 13-1/2 |
| 60 (1524) | 48 (1219) | 16-1/2 |

NOTE: Maximum of 16-1/2 turns (360°) of Power Adjustment Nut.

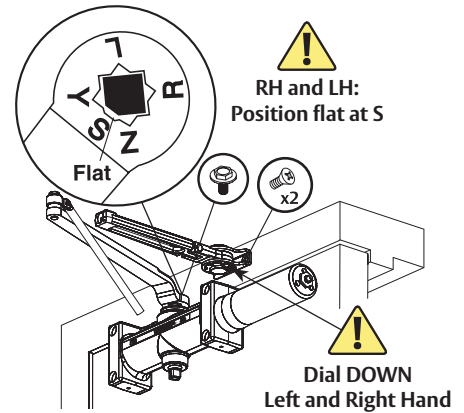
2. Mount closer to door.



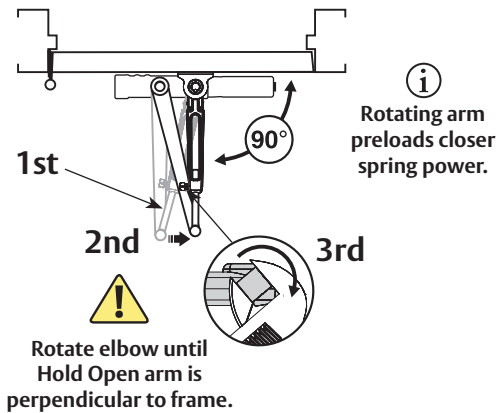
3a. Remove dial from Hold Open arm.



3b. Install separate arms.

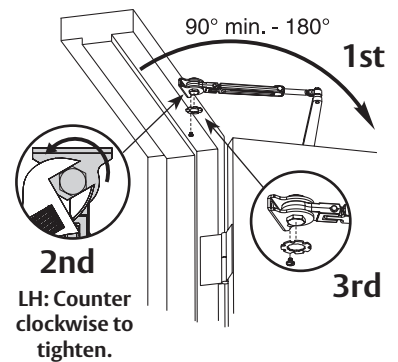
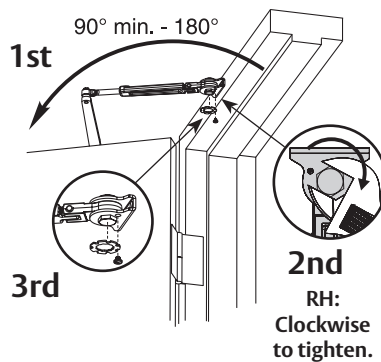


4. Connect arms, preload spring and tighten set screw.



5. Set Hold Open.

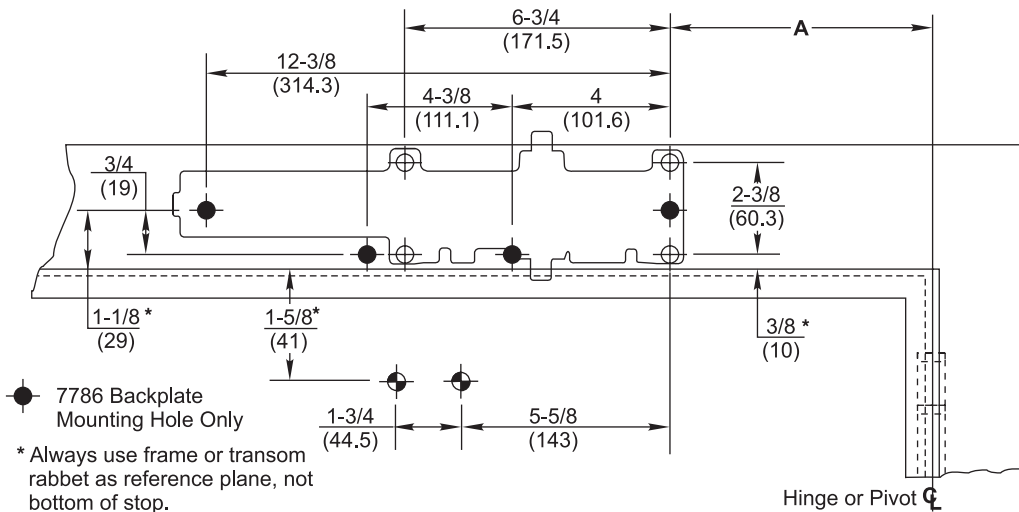
! Keep door open in position until dial screw secures dial.



You've installed the 7500H Hold Open Closer - Regular Arm.

● Go to page 2 for closer adjustments and cover installation.

1. Prepare door and frame.

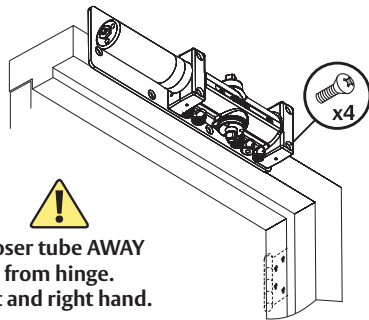


| Opening | Dimension A |
|--------------|-------------|
| | inches (mm) |
| To 100° | 7-5/8 (194) |
| 101° to 120° | 6-5/8 (168) |
| 121° to 150° | 4-5/8 (117) |
| 151° to 180° | 4-1/8 (105) |

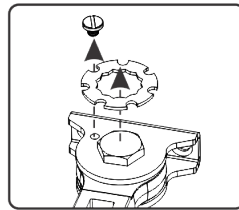
| Power Adjustment Chart | | |
|--|--|-----------------|
| Maximum Interior Door Size inches (mm) | Maximum Exterior Door Size inches (mm) | Turns from Zero |
| 32 (813) | 28 (711) | 5 |
| 36 (914) | 34 (864) | 8-1/2 |
| 42 (1067) | 38 (965) | 11 |
| 52 (1321) | 42 (1067) | 13-1/2 |
| 60 (1524) | 48 (1219) | 16-1/2 |

NOTE: Maximum of 16-1/2 turns (360°) of Power Adjustment Nut.

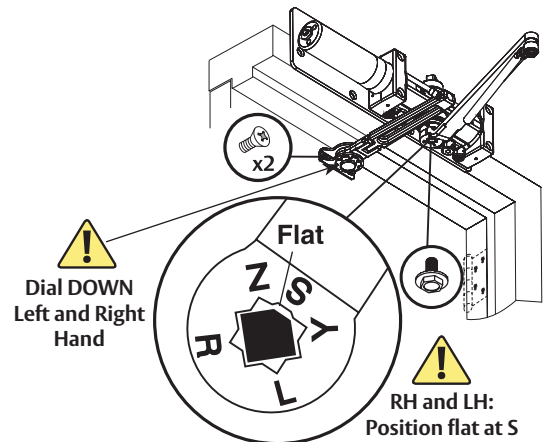
2. Mount optional backplate and/or closer to frame.



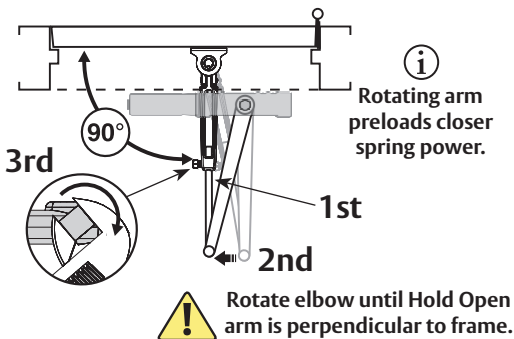
3a. Remove dial from Hold Open arm.



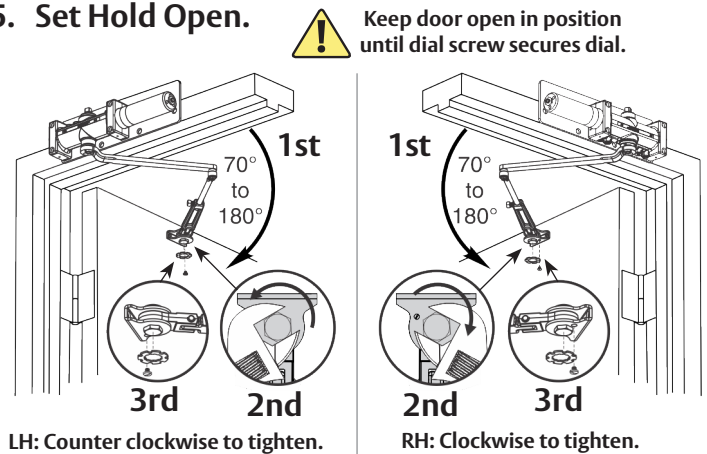
3b. Install separate arms.



4. Connect arms, preload spring and tighten set screw.



5. Set Hold Open.

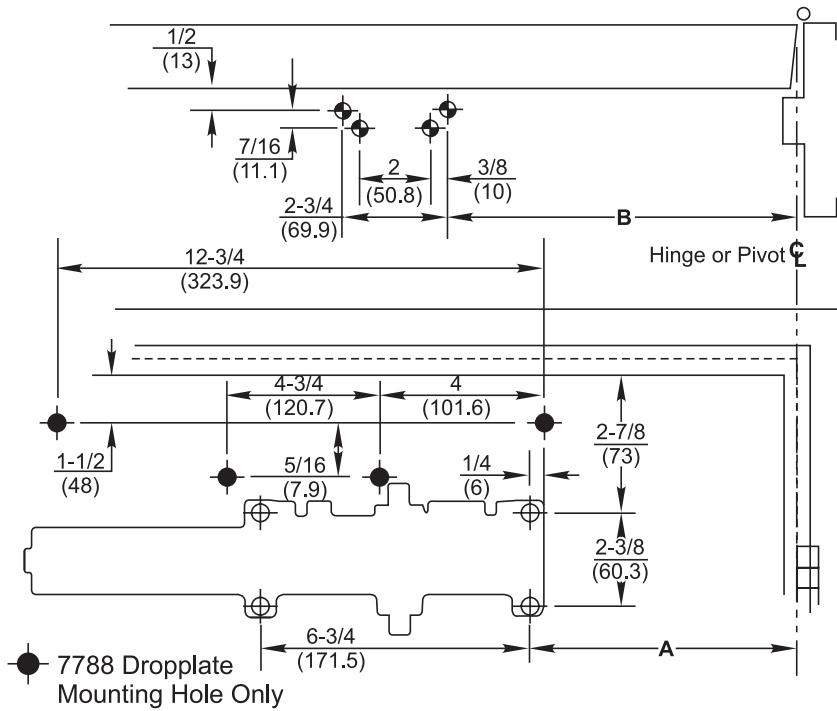


You've now installed the 7500H Hold Open Closer - Top Jamb Mount.

● Go to page 2 for closer adjustments and cover installation.

7500H Parallel Arm Installation (Right Hand Shown)

1. Prepare door and frame.

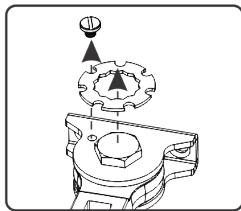


| Opening | Dimension A | Dimension B |
|--------------|-------------|-------------|
| | inches (mm) | inches (mm) |
| To 100° | 8-3/4 (222) | 9-1/4 (235) |
| 101° to 130° | 7-1/4 (184) | 7-3/4 (197) |
| 131° to 150° | 6-1/4 (159) | 6-3/4 (171) |
| 151° to 180° | 5-1/4 (133) | 5-3/4 (146) |

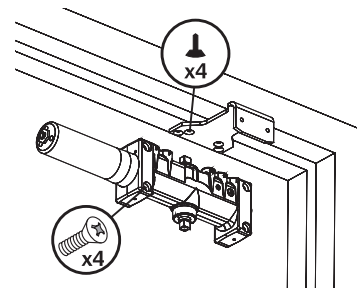
| Power Adjustment Chart | | |
|--|--|-----------------|
| Maximum Interior Door Size inches (mm) | Maximum Exterior Door Size inches (mm) | Turns from Zero |
| 30 (762) | 26 (660) | 7 |
| 34 (864) | 30 (762) | 9 |
| 38 (965) | 36 (914) | 12-1/2 |
| 48 (1219) | 42 (1067) | 14-1/2 |
| 54 (1372) | 48 (1219) | 16-1/2 |

NOTE: Maximum of 16-1/2 turns (360°) of Power Adjustment Nut.

2. Remove dial from Hold Open arm.

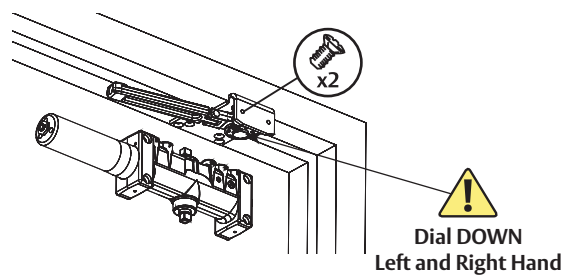


3. Install soffit plate and mount closer.



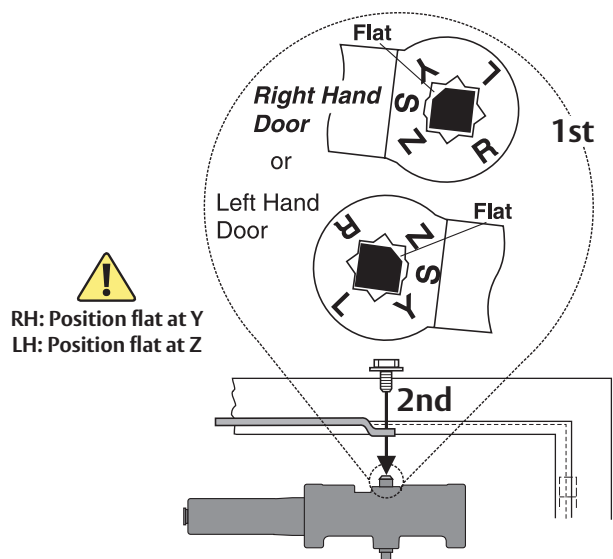
!
Closer tube **AWAY** from hinge.
Left and right hand.

4. Install Hold Open arm to plate.

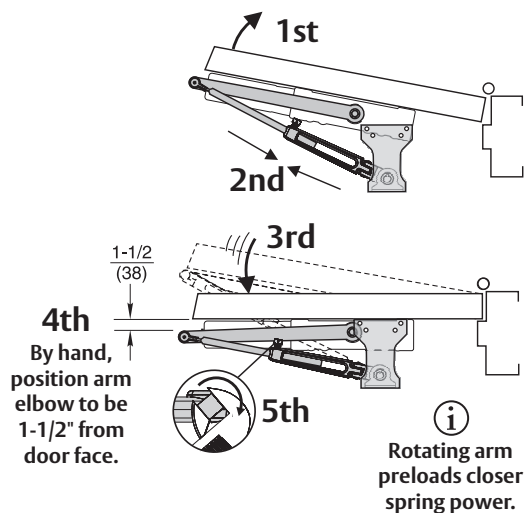


7500H Parallel Arm Installation (Right Hand Shown) continued

5. Place main arm on closer spindle as shown.

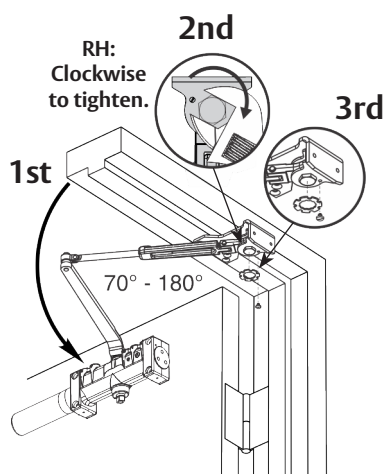
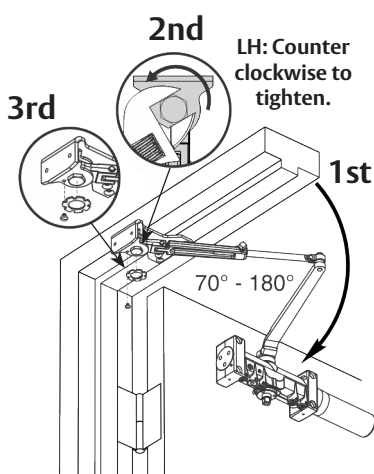


6. Connect arms, preload and tighten set screw.



7. Set Hold Open.

Keep door open in position until dial screw secures dial.



You've now installed the 7500H Hold Open Closer - Parallel Arm.

● Go to page 2 for closer adjustments and cover installation.