

Norton®

ASSA ABLOY

CAUTION

An incorrectly installed or improperly adjusted door closer can cause property damage or personal injury. These instructions should be followed to avoid the possibility of misapplication or misadjustment.

Power Track® Series
Primary Unit – PTDO (with detector)
Support Unit - PTO (without detector)

Models

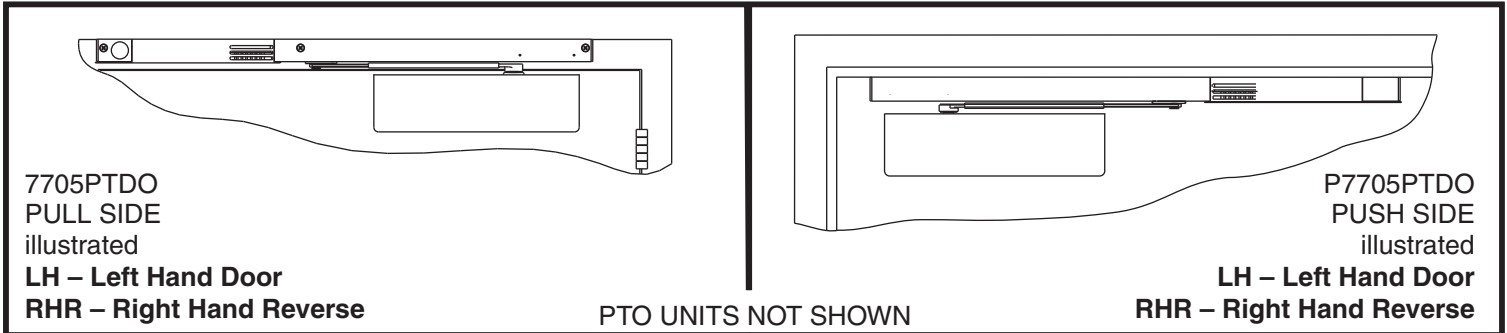
Hinge (Pull) Side of Door Application Stop (Push) Side of Door Application

7705PTDO **P7705PTDO**
7705PTO **P7705PTO**

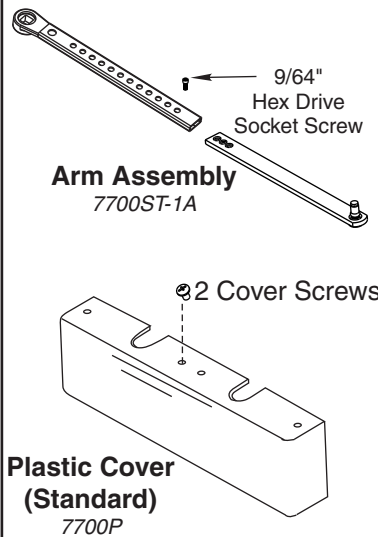
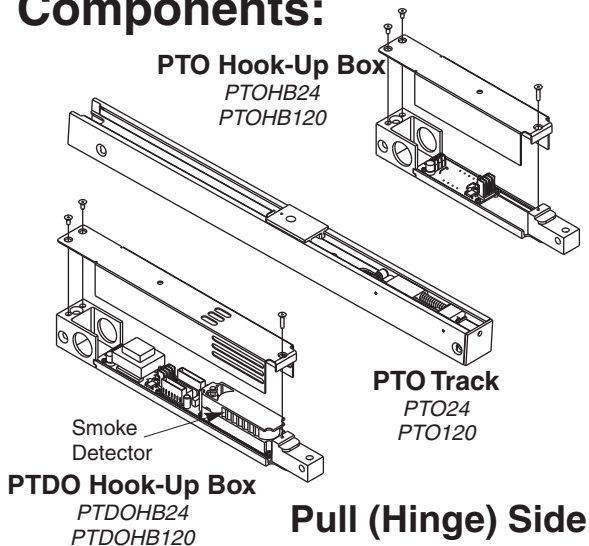
Installation Instructions

Combination Door Closer-Holder and Releasing Device WITH and WITHOUT Integral Smoke Detector

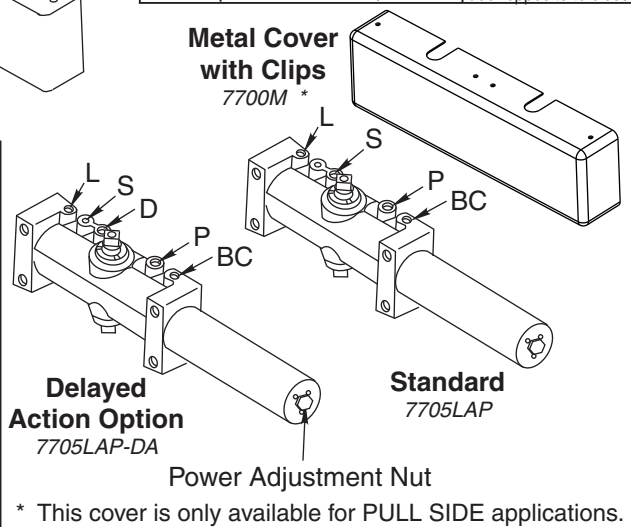
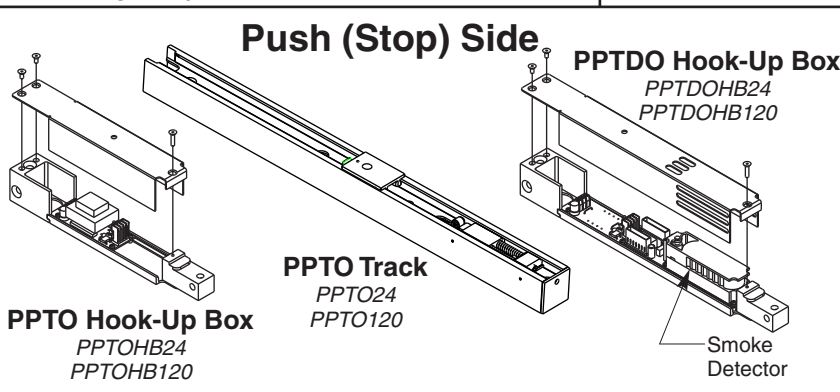
NOTES: - For wiring of PTDO models, see "PowerTrack®" "Wiring Instructions" No. 80-9342-0902-021
 - When used with a PTDO model, PTO unit must be a 24V unit



Components:



Preparation for Fasteners			
	Fasteners	Door or Frame	Drill-Sizes
Standard	Self-Drilling Screw	Aluminum or Metal	No drill required
		Wood	3/16" (4.30 mm) Pilot hole required
	1/4" - 20 machine screw	Metal	Drill: #7 (0.201" dia.) Tap: 1/4" - 20
Optional	Sleeve nuts and bolts	Hollow Metal	9/32" (7 mm) through; 3/8" (9.5 mm) door face opposite to closer
		Aluminum or Wood	3/8" (9.5 mm) through
	Through-bolts and grommet-nuts	All	9/32" (7 mm); 3/8" (9.5 mm) dia. x 3/8" (9.5 mm) deep on door opposite to closer



NOTE:

- For special applications a separate door and frame preparation template is packed with these instructions.
- Use this instruction sheet for installation sequence and closer adjustments only.

- Use of an auxiliary door stop is always recommended.
- Unit must be mounted on interior of building in dry environment, maximum humidity of 95%.
- See NFPA70 for wiring requirements and NFPA72 for alarm system requirements.

7705PTO/7705PTDO Series

Hinge (Pull) Side Application

Norton

ASSA ABLOY

Parts

Solenoid wire coiled inside end of track

Optional Cover

1 Mark and Drill Holes

7/8 (22) Conduit hole for concealed wiring only

Right Hand Shown

Power Track	Dim. "A"	Dim. "B"
PTO	$\frac{31-1/16}{(788)}$	$\frac{32-1/8}{(816)}$
PTDO	$\frac{34-11/16}{(881)}$	$\frac{35-3/4}{(908)}$

Preparation for Fasteners		
Fasteners	Door or Frame	Drill Sizes
Self-Drilling Screw	Aluminum or Metal	No drill required
	Wood (see Note)	3-16" (4.3mm)
1/4"-20 machine screw	Metal	Drill #7 (.201" dia) Tap 1/4"-20

Note: Wood doors/frames **MUST** have pilot hole when using Self-Drilling Screws.

3 Installation Sequence

After installed, bend out tabs to secure.

RH Door, LH Door, Closer Valves Up/Down, Pinion Flat

See Page 4 for wiring instructions.

4 Sweep

5 Latch

6 Backcheck

Position, Cushion

Caution: Don't completely close cushion valve

7 Hold Open Angle (Between 85° and 110° only)

A Lock into hold-open

B Use holes that align in arms

D Use holes that align in arms

C Open door to desired angle

8 Closing Force

Install closer per instructions with proper pre-load applied to arm then adjust spring power. Power adjustment will not work properly if closer spring is not pre-loaded.

Product shipped with closing force set at middle of power range.

DO NOT use a power drill or driver to turn adjustment nut. This will damage closer and void warranty.

9 Optional Cover

7700M

7700P

P7705PTO/P7705PTDO Series

Stop (Push) Side Application

Norton
ASSA ABLOY

Parts 1

Solenoid wire coiled inside end of track

Optional Cover

Mark and Drill Holes 2

Bottom of Frame Stop

✦ Used for 7788 Drop Plate

Left Hand Shown

Preparation for Fasteners		
Fasteners	Door or Frame	Drill Sizes
Self-Drilling Screw	Aluminum or Metal	No drill required
	Wood (see Note)	3-16" (4.3mm)
1/4"-20 machine screw	Metal	Drill #7 (.201" dia) Tap 1/4"-20

Note: Wood doors/frames **MUST** have pilot hole when using Self-Drilling Screws.

Power Track	Dim. "A"	Dim. "B"
PTO	<u>30-9/16</u> (776)	<u>31-11/16</u> (805)
PTDO	<u>34-3/16</u> (868)	<u>35-5/16</u> (897)

Installation Sequence 3

Pinion Flat

LH Door RH Door

Closer Valves Down

Closer Valves Up

See Page 4 for wiring instructions.

Sweep 4

Latch 5

Backcheck 6

Caution: Don't completely close cushion valve

Hold Open Angle (Between 85° and 110° only) 7

Lock into hold-open

Use holes that align in arms

Open door to desired angle

Closing Force 8

Install closer per instructions with proper pre-load applied to arm then adjust spring power. Power adjustment will not work properly if closer spring is not pre-loaded.

Product shipped with closing force set at middle of power range.

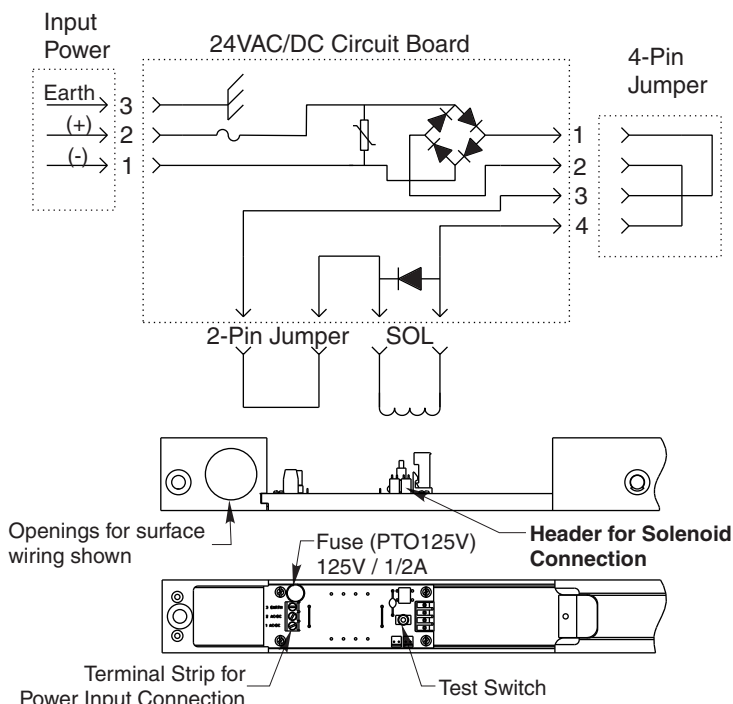
DO NOT use a power drill or driver to turn adjustment nut. This will damage closer and void warranty.

Optional Cover 9

7700M

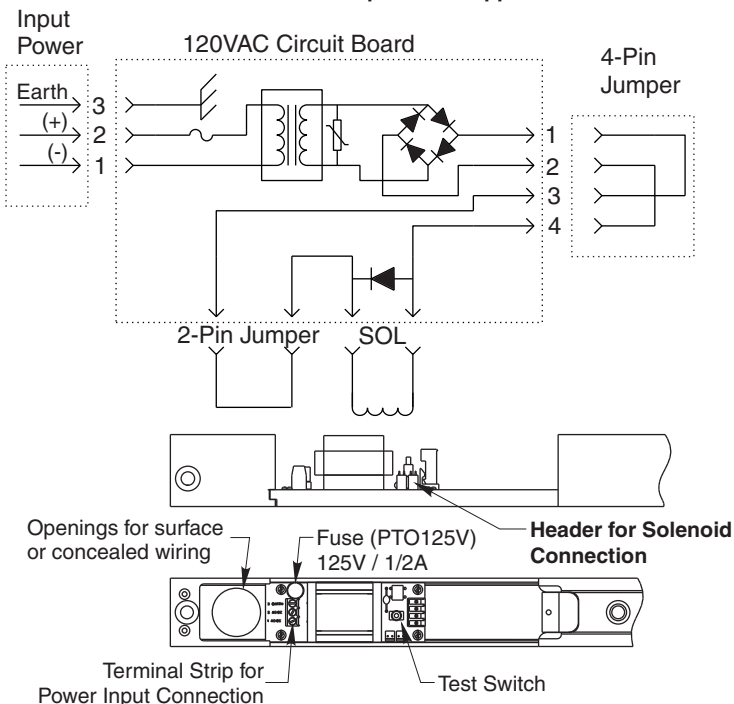
7700P

PTO Support Unit Wiring Diagram (24VAC/DC Input)



PTO Support Unit Wiring Diagram (120VAC Input)

Do not use a 120VAC PTO unit when power is supplied from a PTDO unit



For PTDO Models:

Refer to Wiring Instructions
No. 80-9372-0904-000 (08-20)
for making wiring connections.

ELECTRICAL DATA

	120VAC	24VAC	24VDC	Detector
Voltage	120V 132V Max 102V Min	24V 26.4V Max 20.4V Min	24V 26.4V Max 20.4V Min	24V 26.4V Max 20.4V Min
Current	.036 Amps	.059 Amps	.074 Amps	0.034 Amps

NOTES:

- Maximum wire size is 14AWG.
- All wiring and connections use standard wiring practice conforming with local wiring codes.

IMPORTANT:

Remove solenoid wire from end of track before installing track to frame. Do not pinch or crimp wire. Once track and hook-up box are installed, solenoid wire must be plugged into Header on circuit board shown above.

After making all wiring connections:

- Turn power to unit "ON". (On Primary (PTDO) unit only, red LED should illuminate once every 15 sec.)
- Track's hold open force is preset at the factory.
- Open door to hold-open position. Manually pull door out of hold-open and release...door should close. If arm does not release from hold-open, increase the releasing force by turning the screw accessible thru the end cap of the track using the 9/64" hex wrench provided.

- Again, open door to the hold-open position. Depress "Test Switch" button on the hook-up board (accessible through cover)...door should close. If arm does not release, see previous step.

Installation of Cover:

- **Plastic Cover (7700P):** Slide cover insert into the un-used cutout in cover. Install cover using screws provided.
- **Metal Cover (7700M):** Fasten cover to mounting clips with screws provided.

Norton Technical Product Support:
Monroe, NC 28112 USA
Phone: 800.438.1951 ext: 6030
TechSupport.Norton@assaabloy.com
nortondoorcontrols.com

Norton is a brand associated with ASSA ABLOY Accessories and Door Controls Group, Inc., an ASSA ABLOY Group company. Copyright © 2009, 2014, 2020, ASSA ABLOY Accessories and Door Controls Group, Inc. All rights reserved. Reproduction in whole or in part without the express written permission of ASSA ABLOY Accessories and Door Controls Group, Inc. is prohibited.

Approved 2020-09-16

Experience a safer
and more open world
80-9377-0716-020 (08-20)