

Degree of Opening	Dim. A	Dim. B
Openings To 130°	7-3/4 (197)	8-1/2 (216)
Openings Over 130°	5-3/4 (146)	6-1/2 (165)

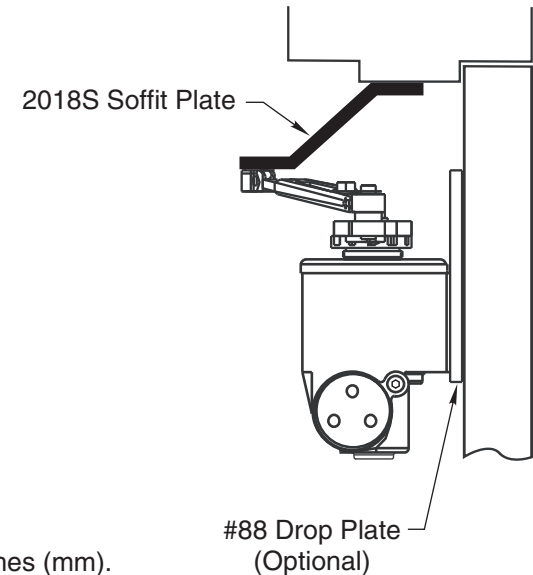
1/4-20 Machine Screws or #14 Wood Screws (4 Places) for closer or drop plate.

For use with #88 Drop Plate Only

\*Note: This dimension must be measured from the same surface that the 2018S Soffit Bracket is fastened to.

**Notes:**

- Do not scale drawing.
- Left hand door shown.
- Dimensions are in inches (mm).
- This template covers installations to 180° conditions permitting.



**Series 78-B/F-PA Door Closers with 2018S Soffit Plate  
 Non-Hold Open Parallel Arm Installation  
 With or Without No. 88 Drop Plate  
 Closer Sizes 78-B/D-PA or 78-E/F-PA**



TEMPLATE NUMBER	REV	DATE
<b>7349-0206</b>	<b>3</b>	<b>12/21</b>