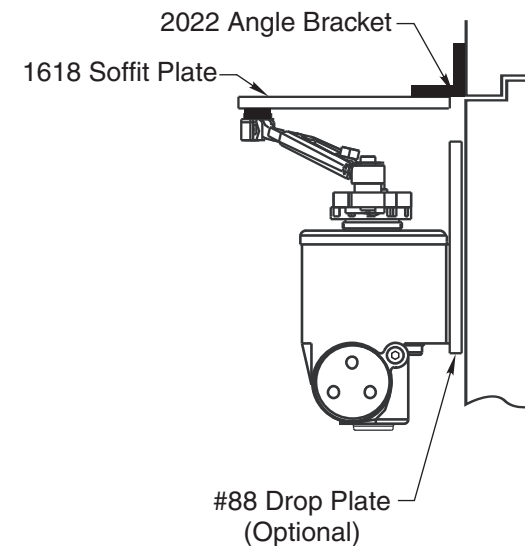


Degree of Opening	Dim. A	Dim. B
Openings To 130°	7-3/4 (197)	8-1/2 (216)
Openings Over 130°	5-3/4 (146)	6-1/2 (165)

1/4-20 Machine Screws or #14 Wood Screws (4 Places)

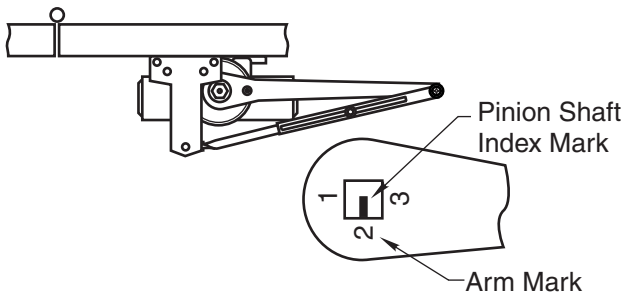
1/4-20 Machine Screws or #14 Wood Screws (4 Places) for closer or drop plate.

For use with #88 Drop Plate Only

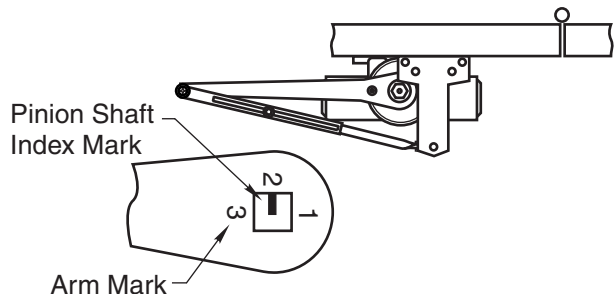


Indexing of Main Arm

Left Hand Door



Right Hand Door



Notes:

- Do not scale drawing.
- Left hand door shown.
- Dimensions are in inches (mm).

**Series 78-B/F-PA Door Closers with 2022 Angle Bracket & 1618 Soffit Plate
 Non-Hold Open Parallel Arm Installation
 With or Without No. 88 Drop Plate
 Closer Sizes 78-B/D-PA or 78-E/F-PA**



ASSA ABLOY

TEMPLATE NUMBER	REV	DATE
7349-0205	3	12/21