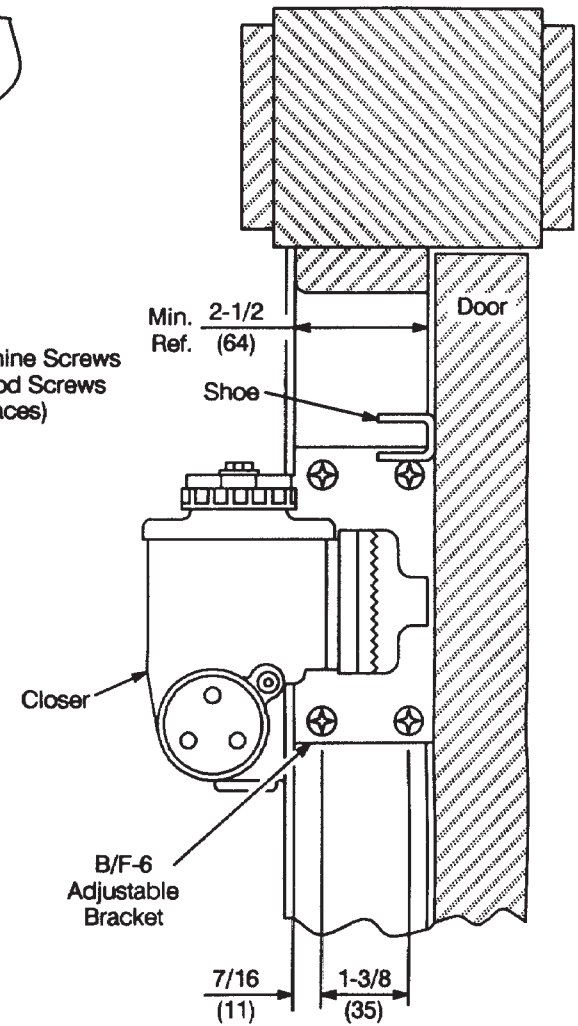
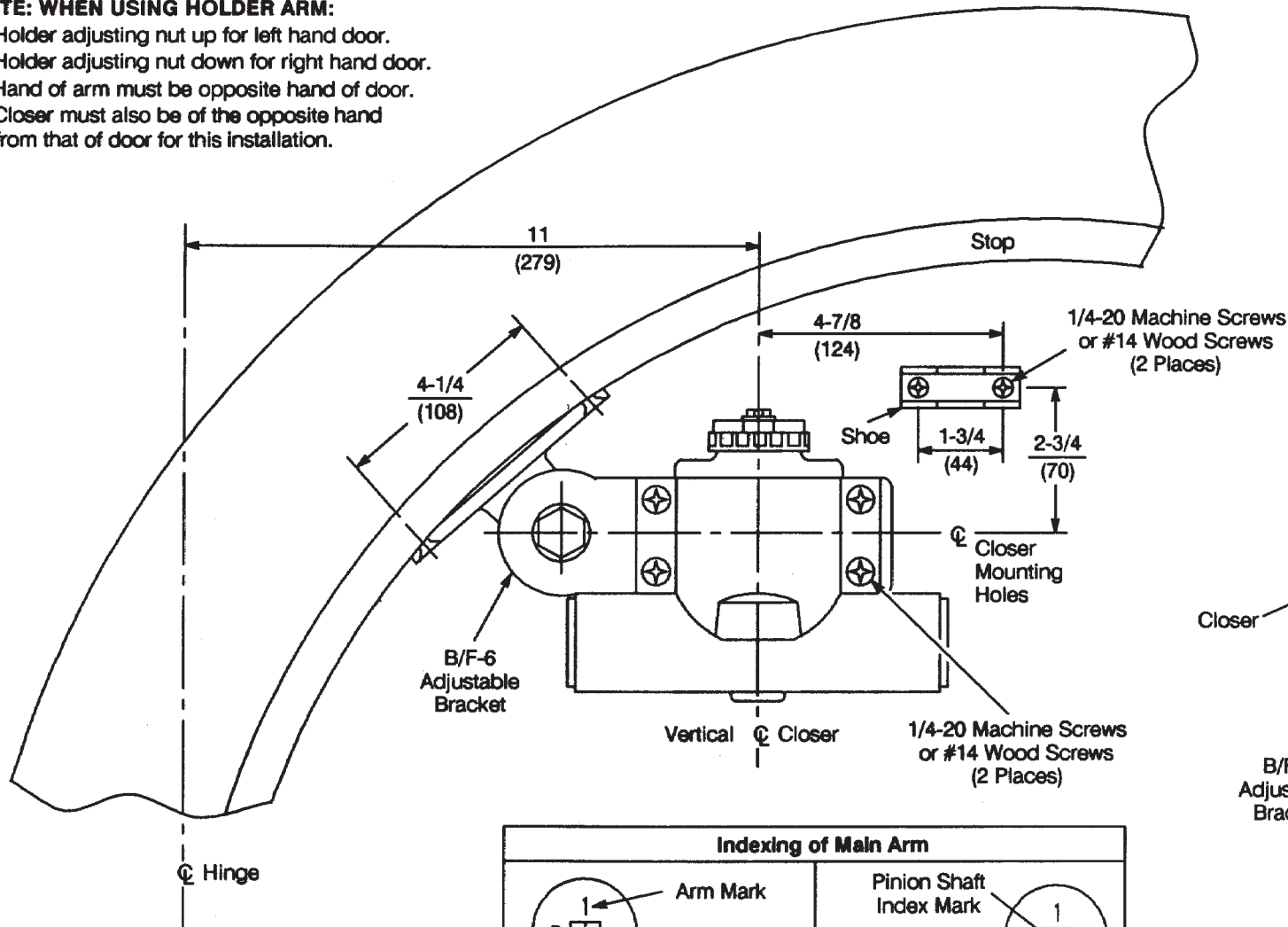
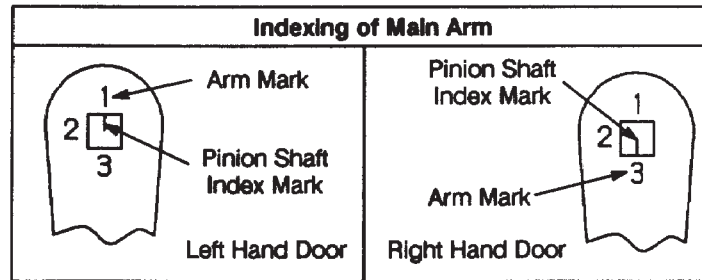


**NOTE: WHEN USING HOLDER ARM:**

- Holder adjusting nut up for left hand door.
- Holder adjusting nut down for right hand door.
- Hand of arm must be opposite hand of door.
- Closer must also be of the opposite hand from that of door for this installation.



- Notes:**
1. Do not scale drawing.
  2. Left hand door shown.
  3. Dimensions are given in inches (mm).



**To Open 90° Only:  
 Push (Opposite Side to Hinge)  
 Side of Door Installation**

**Series 78B/F-RA Door with B/F-6 Adjustable Bracket  
 Push Side Arched Door Installation  
 Closer Sizes 78B/D-RA or 78E/F-RA**



**ASSA ABLOY**

TEMPLATE NUMBER	REV	DATE
<b>7349-0148</b>	<b>3</b>	<b>12/21</b>