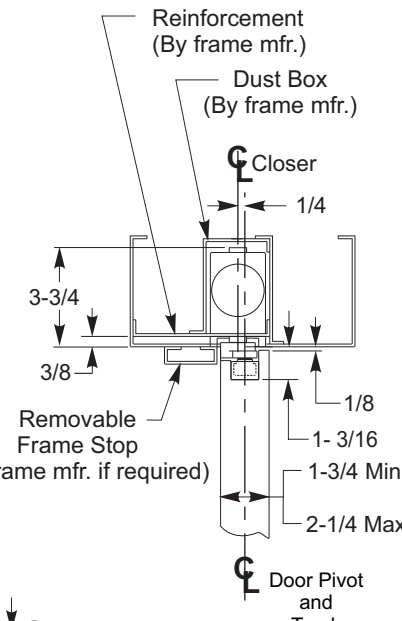


**Adjustable  
Hold Open**  
85°-110°

Dead stop at 5° beyond hold open point.



**NOTES:**

- Do not scale drawing.
- Left hand door shown.
- Hardware dimensions shown (not cutout).
- Dimensions are in inches (see chart for metric conversion).
- Minimum thickness recommended for reinforcements in hollow metal doors and frames: .1046" (2.66mm.) unless otherwise noted.
- Track is 24 inches long.
- For doors less than 32 inches wide, contact factory for modification requirements.

| METRIC CONVERSION CHART |       |
|-------------------------|-------|
| Inches                  | mm.   |
| 1/8                     | 3.2   |
| 1/4                     | 6.4   |
| 3/8                     | 9.5   |
| 5/8                     | 15.9  |
| 1                       | 25.4  |
| 1-3/16                  | 30.2  |
| 1-1/4                   | 31.8  |
| 1-3/4                   | 44.5  |
| 2                       | 50.8  |
| 2-1/4                   | 57.2  |
| 2-3/4                   | 69.8  |
| 3-3/4                   | 95.3  |
| 5-5/16                  | 134.9 |
| 5-3/8                   | 136.5 |
| 6                       | 152.4 |
| 8                       | 203.2 |
| 14                      | 355.6 |
| 15-3/4                  | 400.0 |
| 16-7/16                 | 417.9 |
| 22                      | 558.8 |
| 24                      | 609.6 |
| 32                      | 812.8 |

| Fastener             | Use                        | ⊕ Preparation                                  |
|----------------------|----------------------------|--|
| 1/4-20 machine screw | metal frame and metal door | #7 (.201" dia.) or 5.10mm. drill<br>1/4-20 tap |
| #14 wood screw       | wood door                  | 7/32" or 5.5 mm. drill                         |

**7900H-CP Series Door Closers  
For Use on Doors Hung with Center Pivots  
Hold Open Installation**



|                  |          |              |
|------------------|----------|--------------|
| TEMPLATE NUMBER  | REV      | DATE         |
| <b>7379-0258</b> | <b>3</b> | <b>12/21</b> |