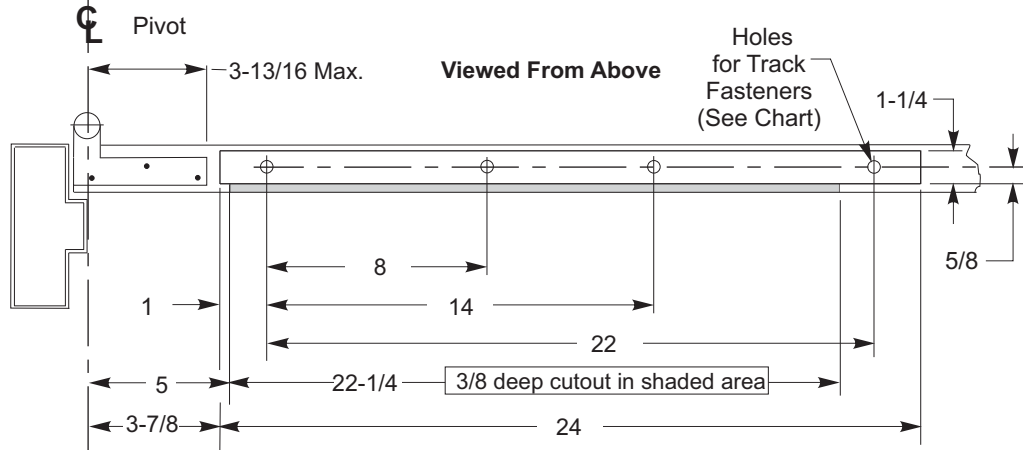
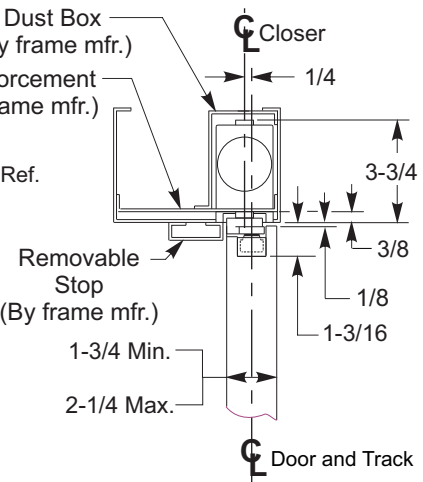
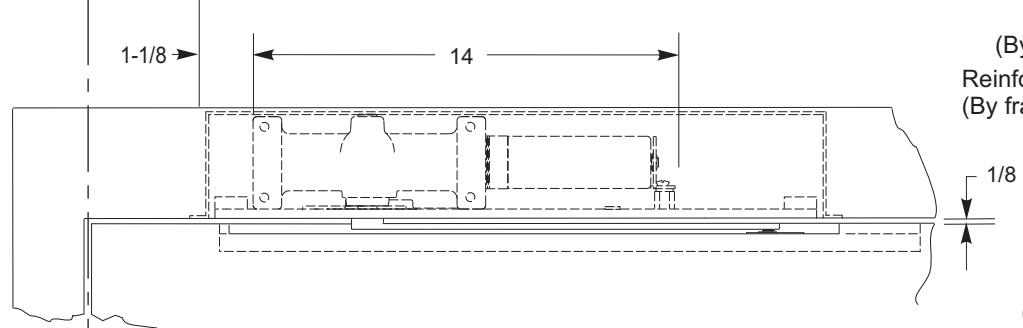
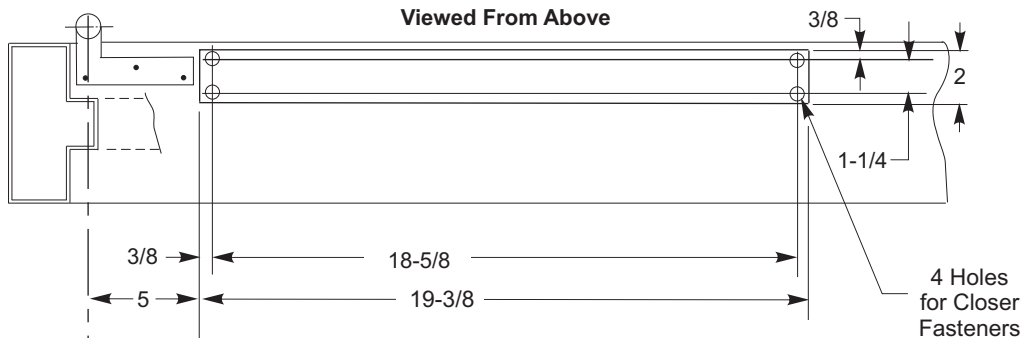


**NOTES:**

- Do not scale drawing.
- Left hand door shown.
- Hardware dimensions shown (not cutout).
- Dimensions are in inches (see chart for metric conversion).
- Minimum thickness recommended for reinforcements in hollow metal doors and frames: .1046" (2.66mm.) unless otherwise noted.
- Maximum door swing is 95 degrees. Auxiliary door stop (not supplied) is required for this application.
- Standard track is 24 inches long.
- For doors less than 29 inches wide, contact factory for modification requirements.

METRIC CONVERSION CHART	
Inches	mm.
1/8	3.2
1/4	6.4
3/8	9.5
5/8	15.9
1	25.4
1-3/16	30.1
1-1/4	31.8
1-3/4	44.5
2	50.8
2-1/4	57.2
3-3/4	95.3
3-13/16	96.8
3-7/8	98.4
5	127.0
8	203.2
14	355.6
18-5/8	473.0
19-3/8	492.1
22	558.8
22-1/4	565.1
24	609.6
29	736.6



Fastener	Use	⊕ Preparation
1/4-20 machine screw	metal frame and metal door	#7 (.201" dia.) or 5.10mm. drill 1/4-20 tap

**7970-OP Series Security Door Closers**  
**For Use on Doors Hung on 3/4" Offset Pivots**  
**Non Hold Open Installation**



TEMPLATE NUMBER	REV	DATE
<b>7379-0754</b>	<b>3</b>	<b>12/21</b>