

Note: Typical overhead stop channel.

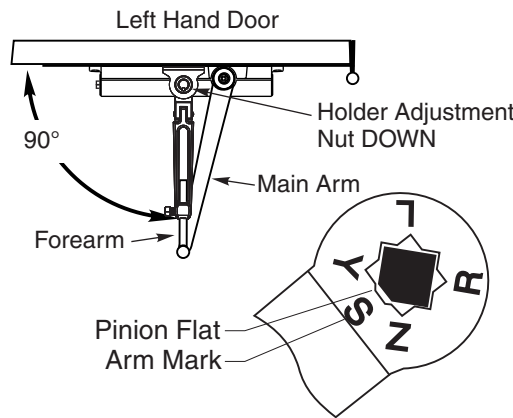
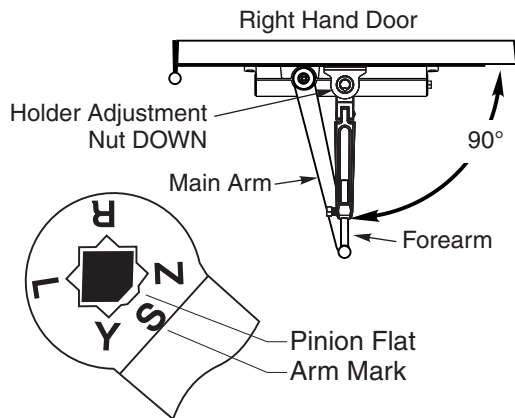
Opening	Dimension "A"
To 100°	7-1/2 (191)
101° to 130°	6 (152)
131° to *180°	4-1/2 (114)

*Door/Wall/Hardware/Jamb conditions permitting

Notes:

1. Do not scale drawing.
2. Right hand door shown.
3. Dimensions given in inches (millimeters).
4. Hollow metal doors require channel or box type reinforcement when thru-bolt mount is specified.
5. Six bolts required for wood or plastic faced fire door mounting.
6. Minimum thickness recommended for reinforcements in hollow metal doors and frames: .1046" (2.66mm) unless otherwise noted.

Position of Arm and Pinion Flat



8000H Series Door Closer
Hold Open Application With 8146 Back Plate for Concealed Stop Clearance
8100H, 8300H, and 8500H



TEMPLATE NUMBER	REV	DATE
7380-0109	3	01/22