

CloserPlus Ramp™ Door Closer

Non Hold Open

Push Side

Installation Instructions

**NORTON
RIXSON**

ASSA ABLOY

⚠ WARNING

This product can expose you to lead which is known to the state of California to cause cancer and birth defects or other reproductive harm. For more information go to: www.P65warnings.ca.gov.

Hold open Arm Models:
CLP8101R/CLP8301R/CLP8501R

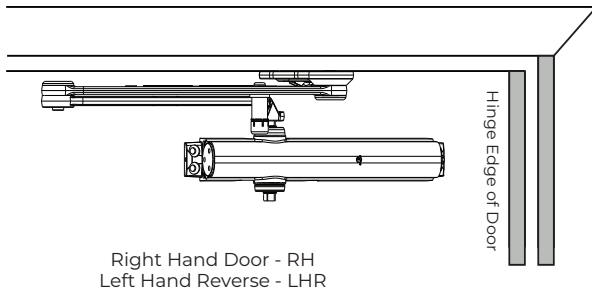
NOTE: For special applications a separate door and frame preparation template is packed with these instructions. Use this instruction sheet for installation sequence and closer adjustments only.

READ AND FOLLOW ALL INSTRUCTIONS.
SAVE THESE INSTRUCTIONS.

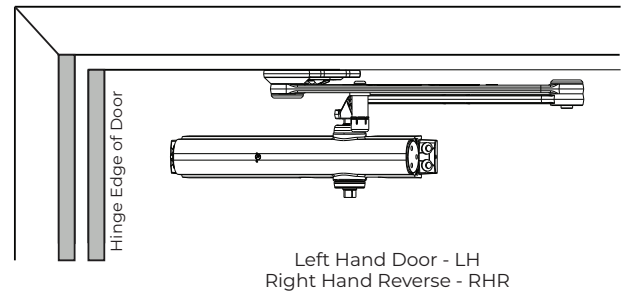
CAUTION An incorrectly installed or improperly adjusted door closer can cause property damage or personal injury. These instructions should be followed to avoid the possibility of misapplication or misadjustment. **CAUTION**

Standard Frame Installation

Closer mounts on opposite to hinge (push) side of door.
Refer to pages 3 and 4



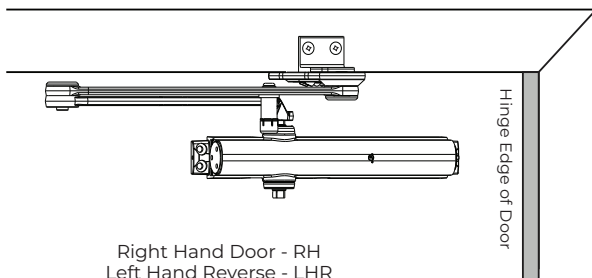
Right Hand Door - RH
Left Hand Reverse - LHR



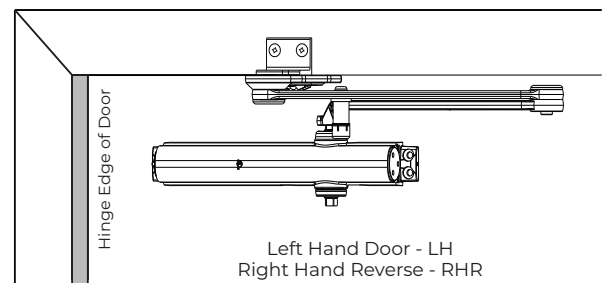
Left Hand Door - LH
Right Hand Reverse - RHR

Narrow Frame Installation

Closer mounts on opposite to hinge (push) side of door.
6890 and 6891 accessories required for this application (supplied separately).
Refer to pages 3 and 4



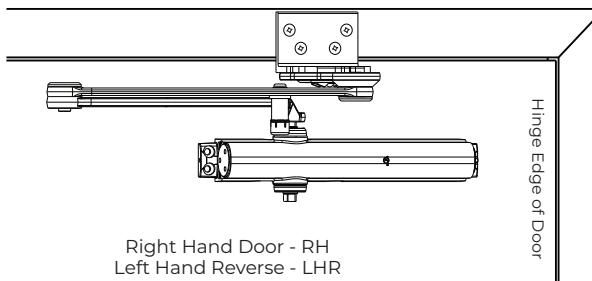
Right Hand Door - RH
Left Hand Reverse - LHR



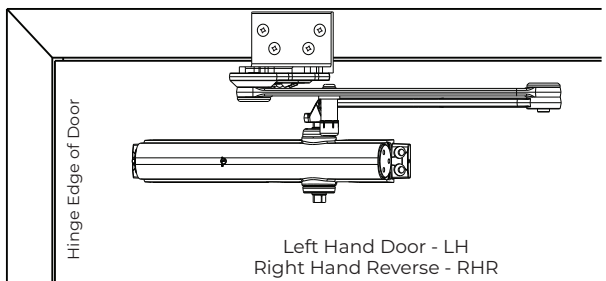
Left Hand Door - LH
Right Hand Reverse - RHR

Flush Partition Installation

Closer mounts on opposite to hinge (push) side of door.
2019L accessory required for this application (supplied separately).
Refer to pages 3 and 4



Right Hand Door - RH
Left Hand Reverse - LHR



Left Hand Door - LH
Right Hand Reverse - RHR

Additional Closer Options:

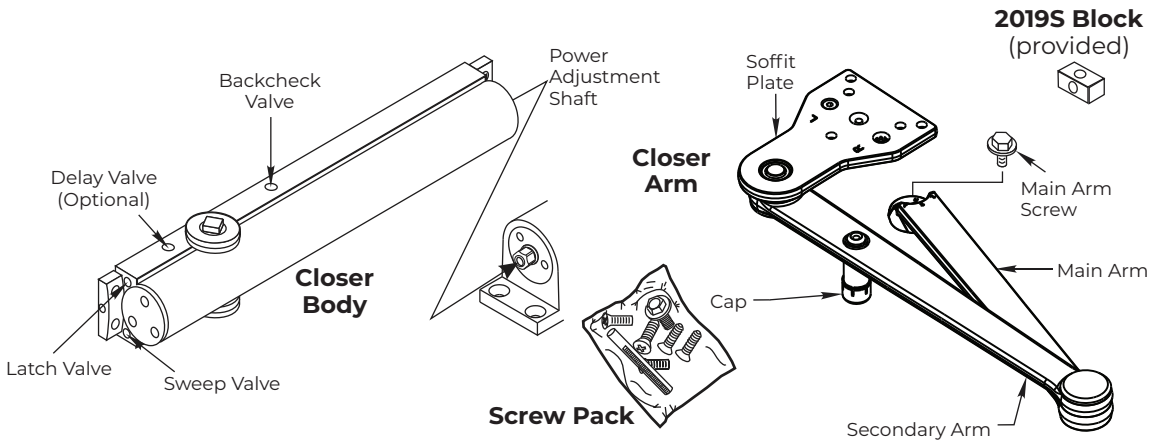
- "DA" = Delayed Action closing
- "R" = Ramp Hold-Open function, not handed

Optional Accessories:

- 8148 Drop Plate
- 2019L, 6890, 6891 Soffit Plate Accessories

8000 Series Parallel Rigid Arm (PR) or CloserPlus® (CLP)

Components



Optional Accessories

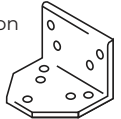
For Blade Stop
6891 Spacer



For Frame or
Blade Stop
6890 Bracket

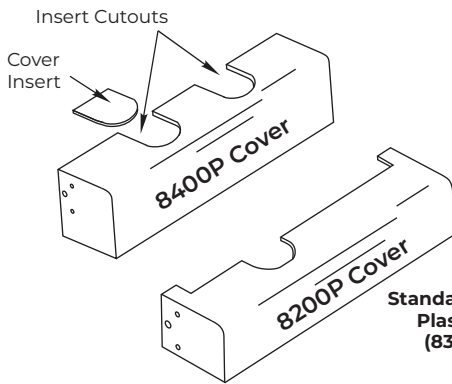


For Flush Partition
2019L Bracket

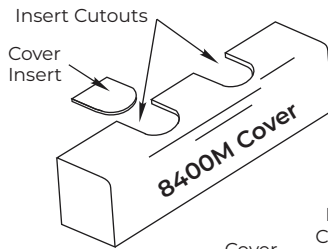


Cover Options

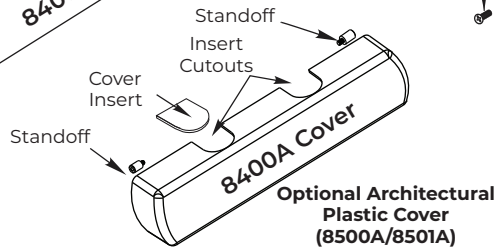
Standard Full Plastic Cover (8500/8501)



Optional Full Metal Cover (8500M/8501M)

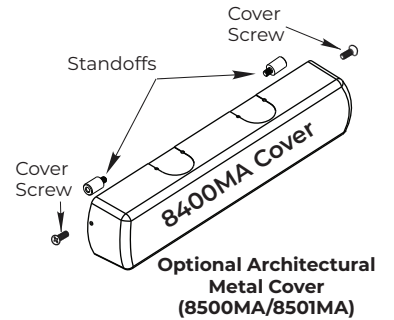


Standard Slim Line Plastic Cover (8300/8301)



Pinion Cap (1639)

Optional Architectural Plastic Cover (8500A/8501A)



Optional Architectural Metal Cover (8500MA/8501MA)

Preparation for Fasteners			
Fasteners		Door or Frame	Drill-Sizes
Standard	Self-Drilling Screw	Aluminum or Metal	No drill required
		Wood (see Note)	3/16" (4.30mm) (pilot hole required)
	1/4"-20 Machine Screw	Metal	Drill: #7 (0.201" dia) Tap: 1/4"-20
Optional	Sleeve nuts and bolts	Hollow Metal	9/32" (7mm) through; 3/8" (9.5mm) door face opposite of closer
		Aluminum or Wood	3/8" (9.5mm) through
	Through-bolts and grommet-nuts	All	9/32" (7mm); 3/8" (9.5mm) dia. x 3.8" (9.5mm) deep on door face opposite of closer

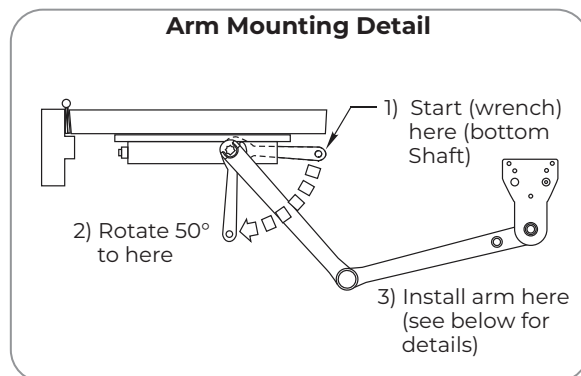
NOTE: Pilot hole required when using self-drilling screws for wood door/frame applications.

8000 Series Parallel Rigid Arm (PR) or CloserPlus® (CLP)

Installation Sequence

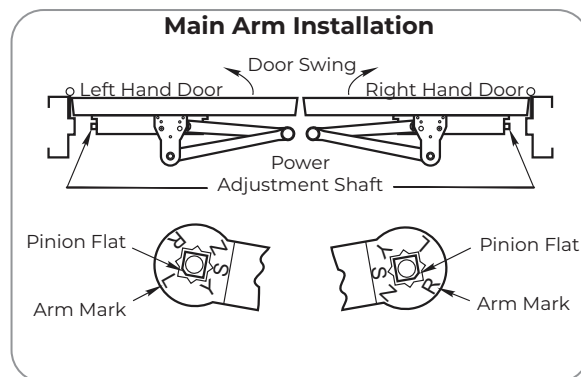
- Select angle of opening and use dimensions shown on page 4 and Dimension Chart below to locate 4 holes on stop side of door for closer body (or 8148 drop plate, if required, see page 5) and 5 holes on stop and/or rabbet for Soffit Plate. For applications not covered in these instructions, a separate template will be required.
- Prepare door and frame for fasteners. See "Preparation for Fasteners" on page 2.
- Set approximate closer power for door size using Power Adjustment Chart below. Use 1/8" hex wrench supplied to adjust Power Adjustment Shaft (set at 8 turns from factory) ... 20 turns maximum. Turn nut **CLOCKWISE** to **Increase**, **COUNTER-CLOCKWISE** to **Decrease** power. See page 6 for the illustration of this step.
- Mount 8148 Dropplate if required (see page 5).
- Install closer with power adjustment shaft toward hinge edge of door.
NOTE: If using full metal cover, cover mounting clips must be slipped under ends of closer when closer is being mounted. Clips should project 1/4" (6mm) beyond each end of closer.
- With door closed, close valves 'S' and 'L'. Using a wrench, turn pinion shaft 50° or more to permit proper alignment of arm mark with pinion flat -
'L' for Left hand door
'R' for Right hand door
See Arm Mounting Detail and Main Arm Installation at right below.
CAUTION: Closer arm is under spring tension and may be difficult to rotate.)
- Reopen valves 'S' and 'L' by turning counter clockwise.
- With door closed, align soffit plate with mounting holes in frame. Fasten soffit plate to frame with flat head screws provided.... use spacer blocks 2019S or 6891, if required.
CAUTION: Closer arm is under spring tension and may be difficult to rotate.)
- Make closer adjustments (see page 6) before installing cover ...
NOTE: DO NOT back valves out of closer or a leak will result.
- Install cover (see page 6).

Installation Dimensions Chart									
	Dim	85°-90°	90°-95°	95°-100°	100°-105°	105°-110°	110°-115°	115°-120°	120°-180°
CLP8100R CLP8300R CLP8500R	Butt Hinges or Offset Pivots	A	in. 5-1/2 (140)	4-3/4 (121)	4 (102)	3-3/8 (86)	2-3/4 (70)	2-1/8 (54)	
		B	in. 11 (279)	10-1/4 (260)	9-1/2 (241)	8-7/8 (225)	8-1/4 (210)	7-5/8 (194)	
	Center Pivots	A	in. 5-3/8 (137)	4-5/8 (117)	3-7/8 (98)	3-1/4 (83)	2-5/8 (67)	2 (51)	
		B	in. 10-7/8 (276)	10-1/8 (257)	9-3/8 (238)	8-3/4 (222)	8-1/8 (206)	7-1/2 (191)	

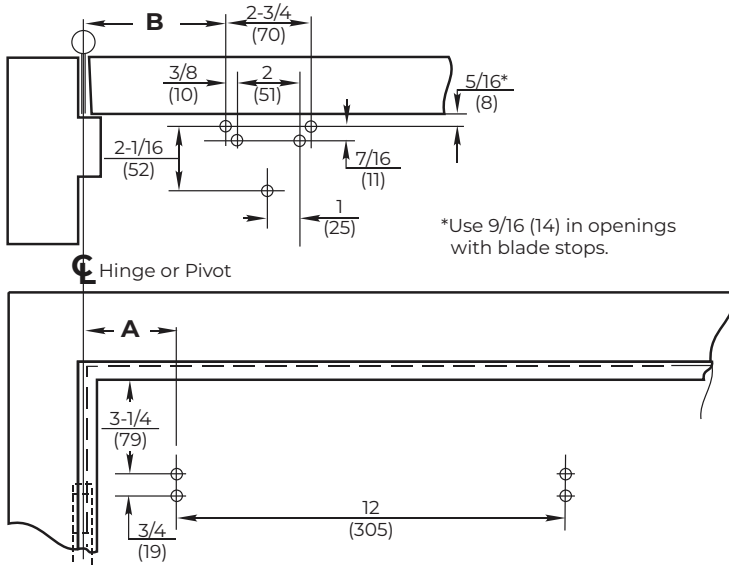


Power Adjustment Chart					
	Full Clockwise Turns of Closer Power Adjustment Shaft				
	Door	28"-32" 71-81cm	33"-36" 84-91cm	37"-42" 94-107cm	43"-48" 109-122cm
CLP8301R/CLP8501R	Interior	9	11	13	15
	External	10	12	14	16

NOTE: Maximum of twenty (20) turns (360°) of Power Adjustment Shaft. Closer is shipped set at mid power setting.



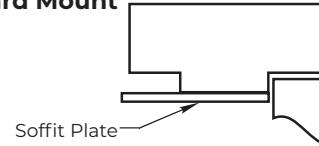
Standard Frame



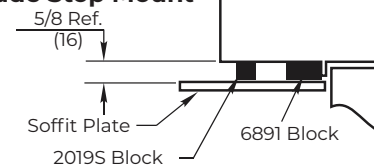
NOTES:

- Do Not Scale Drawing.
- Left Hand Door Shown.
- Same dimensions apply for Right Hand
- Door measured from centerline of pivot point.
- Dimensions are in inches (mm).
- See page 3 for A & B dimension values.

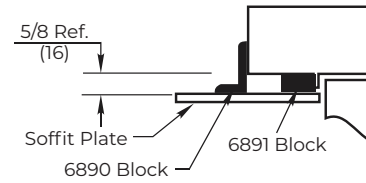
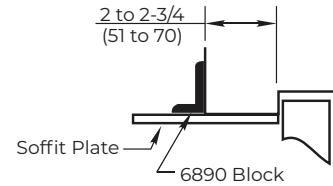
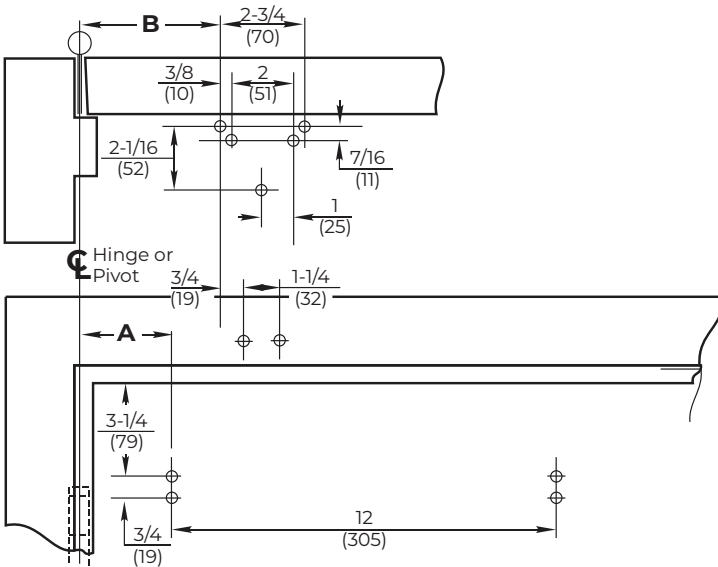
Standard Mount



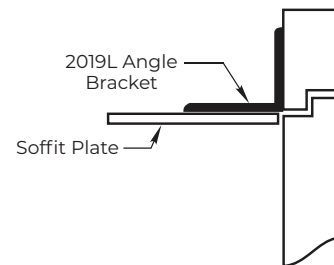
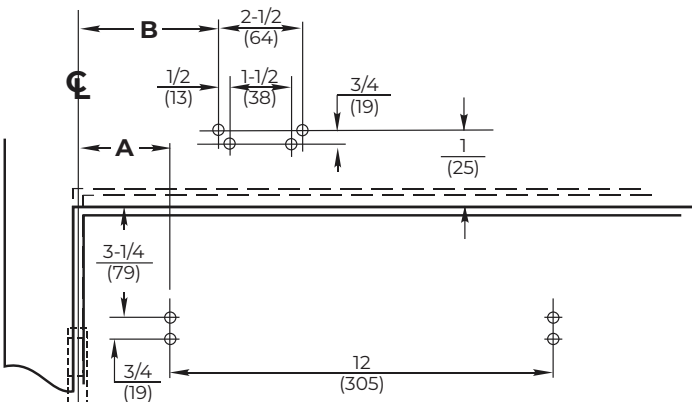
Blade Stop Mount



Narrow Frame



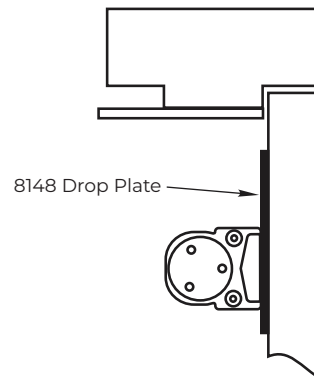
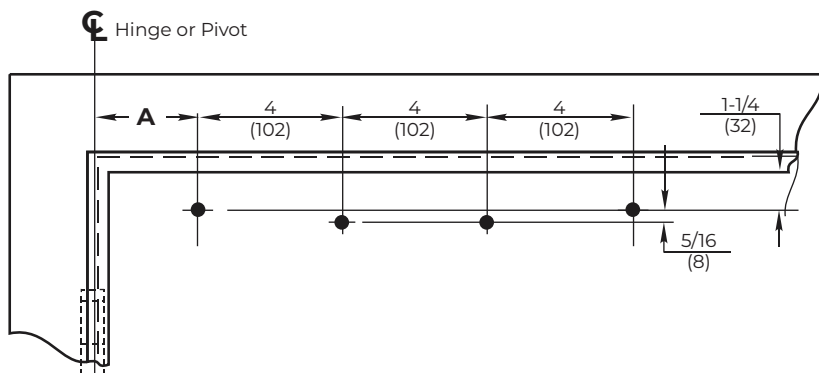
Flush Partition



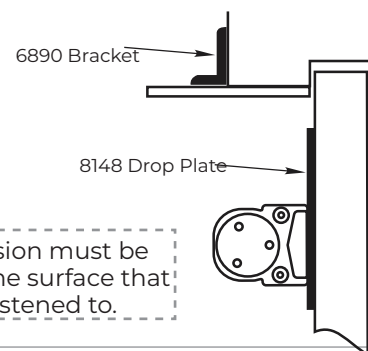
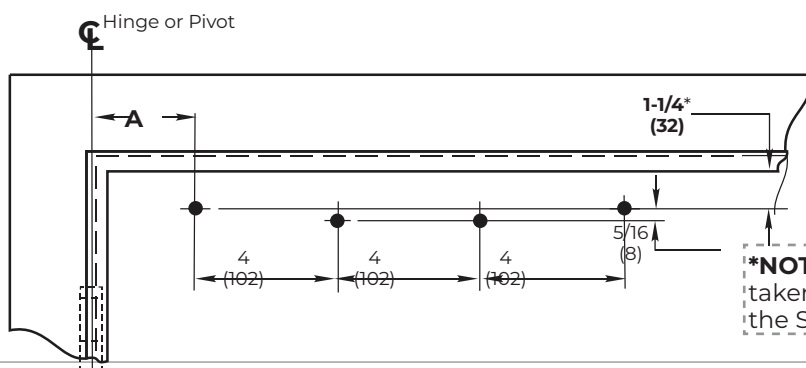
8000 Series Parallel Rigid Arm (PR) or CloserPlus® (CLP)

8148 Drop Plate Mounting Holes

Standard Frame

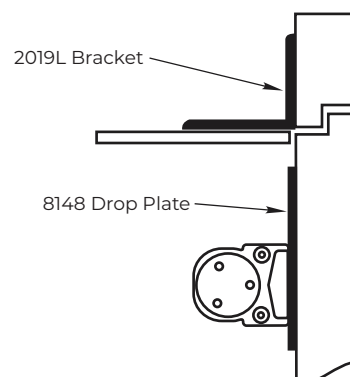
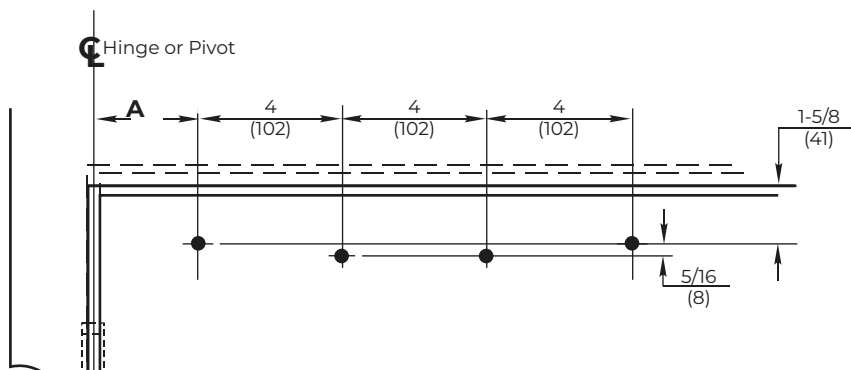


Narrow Frame



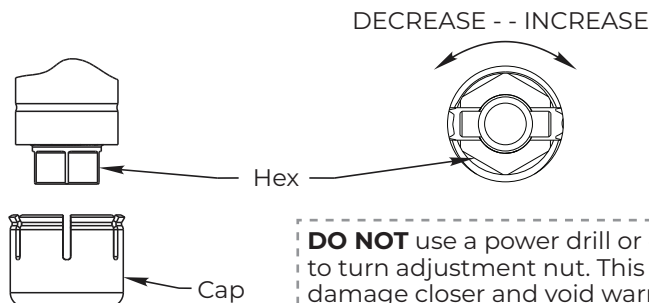
***NOTE:** This dimension must be taken from the same surface that the Soffit Plate is fastened to.

Flush Partition



Hold-Open Feature

The hold-open mechanism is controlled by the hex nut feature located on the secondary arm underneath cap. Remove the cap by pulling straight down. Use a 7/16" wrench to adjust. Turning hex nut feature clockwise will increase the hold-open force. Turning hex nut feature counterclockwise will reduce the hold-open force. Hold-open mechanism can not be disengaged.



DO NOT use a power drill or driver to turn adjustment nut. This will damage closer and void warranty.

The ASSA ABLOY Group is the global leader in access solutions. Every day we help people feel safe, secure and experience a more open world.

Adjustments

Closing Power Adjustment (8X01 closers only) –

Using “Power Adjustment Chart” from page 3, select the correct number of turns for power adjustment shaft that corresponds with the installation. With 1/8” hex-key provided, rotate adjustment shaft full 360° clockwise turns to desired setting. After closer has been installed and proper adjustments made to the sweep and latch, it may be necessary to readjust spring power for good closing action.

Control Valve Adjustments (See Figure 2)

Closing Speed Controls (Figure 1A or 1B and 2)

- Valve “S” Controls Sweep Range
- Valve “L” Controls Latch Range
- Valve “D” Controls Delay Range (optional)

Figure 1 - Closing Speed Controls

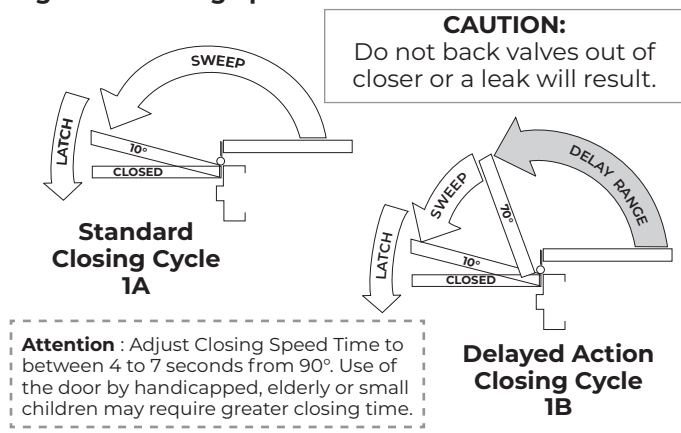


Figure 2 - Closing Speed Controls

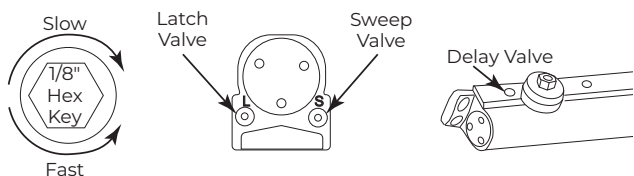
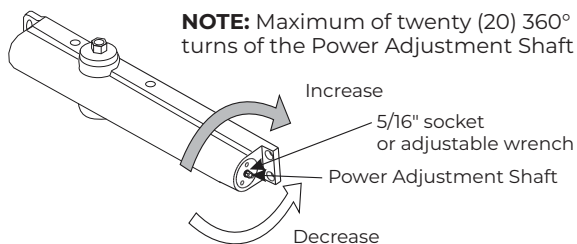


Figure 3 - Closing Power Controls



Opening Cycle

“Backcheck” valve controls the strength of cushioning in Backcheck Range. NEVER close this valve completely – it is not to provide a positive stop. (Figure 4 and Figure 5)

Cover (See Figure 6)

Full cover: Slide cover insert into the un-used cutout in cover. Install cover using screws provided.

Narrow cover: Install cover using screws provided. Install pinion cap onto pinion shaft by hand or with a Phillips screw driver - DO NOT OVER TIGHTEN.

Metal cover: Fasten cover to mounting clips with screws provided.

Architectural Metal Cover: Remove cover insert where pinion is located. Install standoffs in ends of closer. Install cover using screws provided.

Architectural Plastic Cover: Slide cover insert into the un-used cutout in cover. Install standoffs in ends of closer. Snap cover over standoffs.

Figure 4 - Opening Door Control

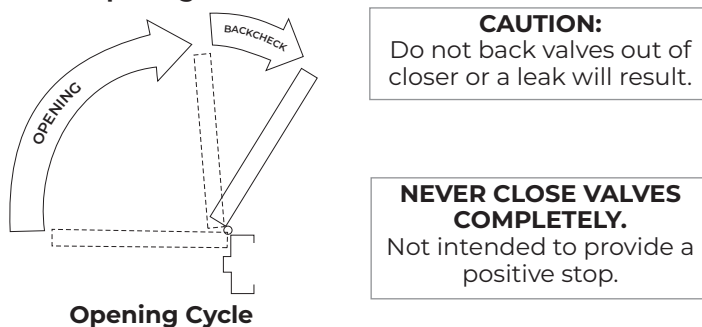


Figure 5 - Backcheck Control

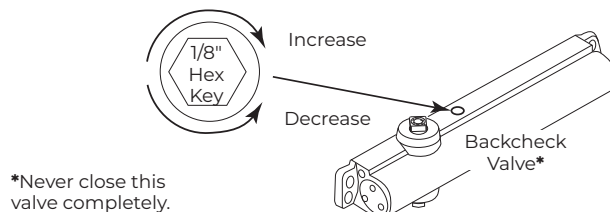
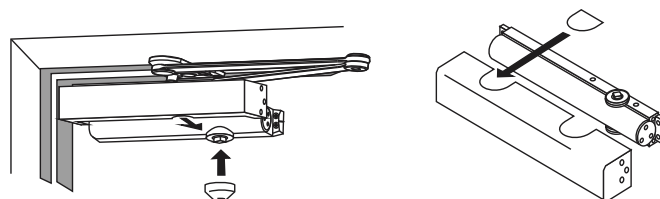


Figure 6 - Cover Mounting



Technical Product Support:
 Monroe, NC 28112 USA
 Phone: 877.974.2255 ext: 2
 Techsupport.NortonRixson@assaabloy.com
 NortonRixson.com

Norton Rixson is a brand associated with ASSA ABLOY Accessories and Door Controls Group, Inc., an ASSA ABLOY Group company.
 Copyright © 2013-2014, 2023, ASSA ABLOY Accessories and Door Controls Group, Inc. All rights reserved. Reproduction in whole or in part without the express written permission of ASSA ABLOY Accessories and Door Controls Group, Inc. is prohibited.