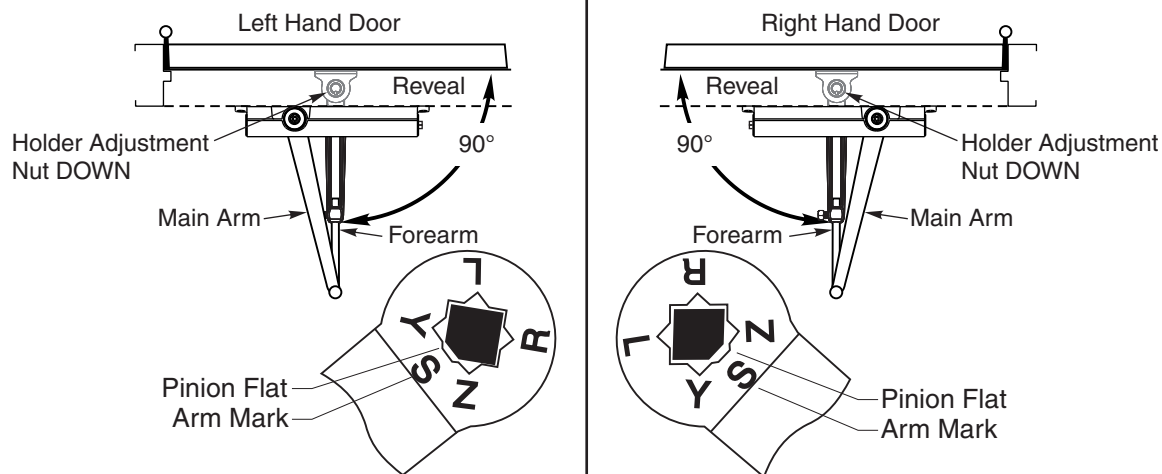


Opening	Dimension "A"
To 100°	7-1/2 (191)
101° to 130°	6 (152)
131° to *180°	4-1/2 (114)

*Door/Wall/Hardware/Jamb conditions permitting

Position of Arm and Pinion Flat



Notes:

1. Do not scale drawing.
2. Left hand door shown.
3. Dimensions given in inches (millimeters).
4. Hollow metal doors require channel or box type reinforcement when thru-bolt mount is specified.
5. Six bolts required for wood or plastic faced fire door mounting.
6. Minimum thickness recommended for reinforcements in hollow metal doors and frames: .1046" (2.66mm) unless otherwise noted.
7. Use regular length rod for reveals to 3" (76mm). Use long rod for reveals 2-3/4" (70mm) to 6-3/4" (171mm).

J8000H Series Door Closer Top Jamb Hold Open Application with 8146 Back Plate J8100H, J8300H, and J8500H Sizes 1 thru 6



ASSA ABLOY

TEMPLATE NUMBER	REV	DATE
7380-0153	3	01/22