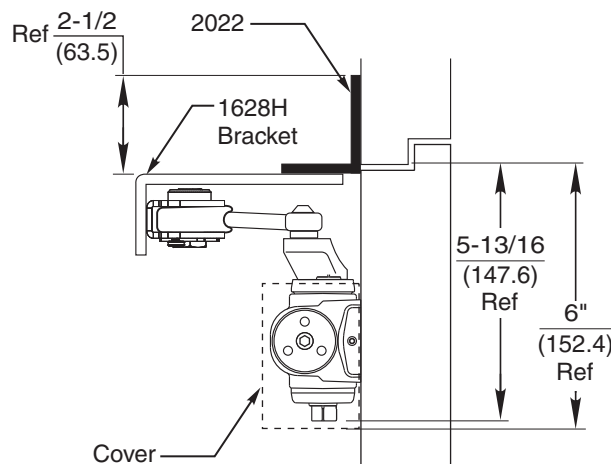


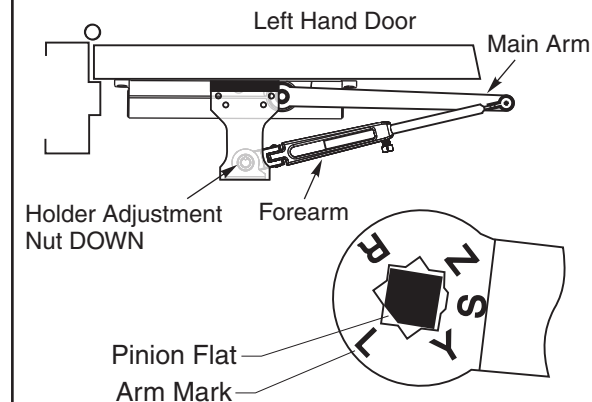
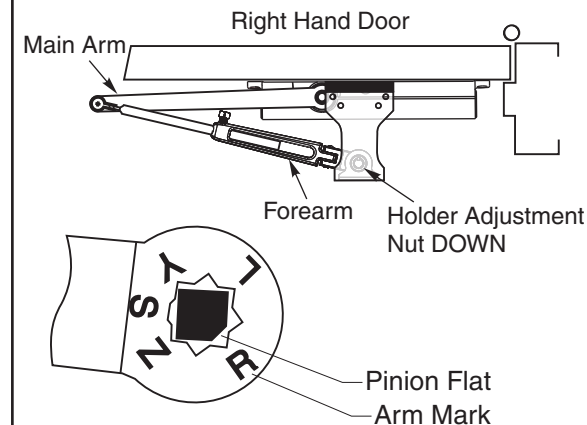
● Prepare these holes when 8148 drop plate is used.

Door Opening	A	B
To 120°	9-1/2 (241)	3-3/4 (95)
*121° to 180°	7 (178)	1-1/4 (32)

* Door/Wall/Hardware/Jamb conditions permitting



Position of Arm and Pinion Flat



Notes:

1. Do not scale drawing.
2. Left hand door shown.
3. Dimensions given in inches (millimeters).
4. Hollow metal doors require channel or box type reinforcement when thru-bolt mount is specified.
5. Six bolts required for wood or plastic faced fire door mounting.
6. Minimum thickness recommended for reinforcements in hollow metal doors and frames: .1046" (2.66mm) unless otherwise noted.

P8000H Series Door Closers Parallel Hold Open With 2022 x 1628H Bracket and With or Without 8148 Drop Plate P8100H, P8300H, and P8500H



ASSA ABLOY

TEMPLATE NUMBER	REV	DATE
7380-0212	3	01/22

Approved 2022-02-26