

8000 Series Door Closer

Non Hold Open Parallel Arm Profile Installation Instructions

WARNING

This product can expose you to lead which is known to the state of California to cause cancer and birth defects or other reproductive harm. For more information go to: www.P65warnings.ca.gov.

CAUTION An incorrectly installed or improperly adjusted door closer can cause property damage or personal injury. These instructions should be followed to avoid the possibility of misapplication or misadjustment. **CAUTION**

P8101/P8301/P8501 Series Adjustable Power Size 1-6

NOTES:

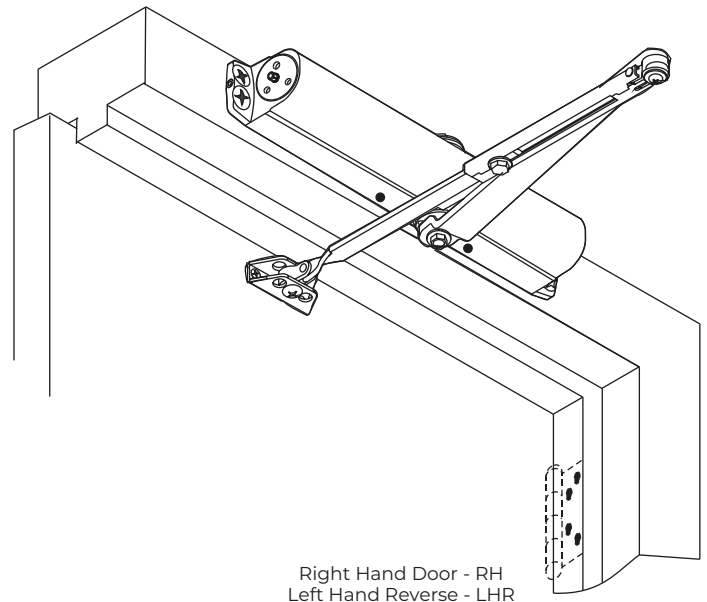
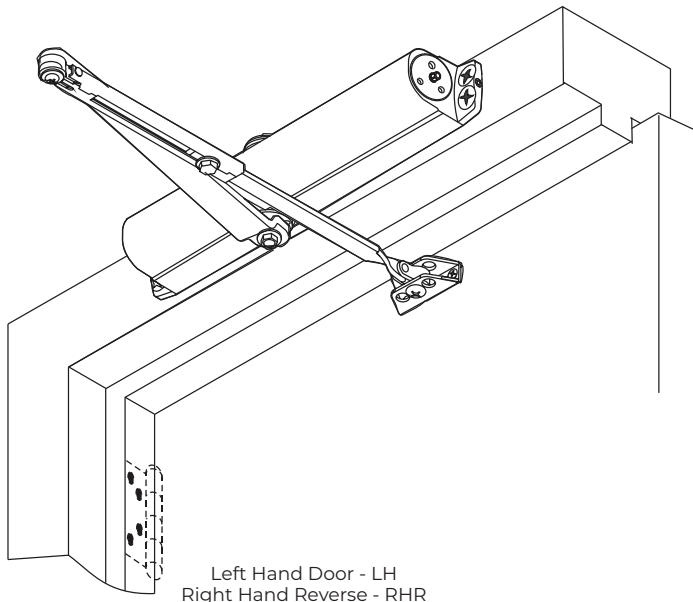
– For Special Applications a separate door and frame preparation template is packed with these instructions. Use this instruction sheet for installation sequence and closer adjustments only.

– “DA” Suffix - Delayed Action closing is an optional feature.

READ AND FOLLOW ALL INSTRUCTIONS.
SAVE THESE INSTRUCTIONS.



The closing force for series P8101, P8301, and P8501 door closers is adjustable from a size 1 to a size 6, as outlined in ANSI Standard A156.4. When these series of door closers are installed and adjusted to conform to ADA reduced opening force requirements (5 lbs max.) for interior doors, they may not have adequate closing force to reliably close and latch the door. Power adjustments charted on page 4 are recommended where possible, to ensure proper door control.

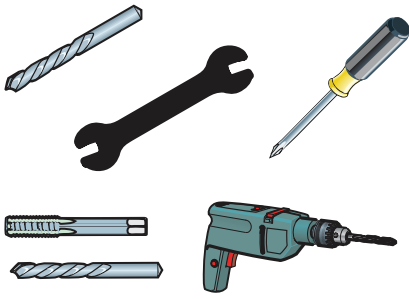


NOTES:

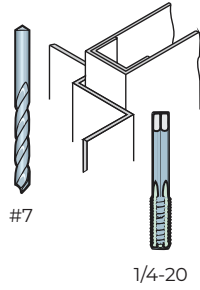
- For special applications a separate door and frame preparation template is packed with these instructions. Use this instruction sheet for installation sequence and closer adjustments only.
- “DA” suffix (Delayed Action) is an optional feature.
- Doors should be hung on ball bearing or anti-friction hinges.
- A separate door stop is recommended.
- Door and frame must be properly reinforced.
- Always adjust spring power before adjusting control valves.
- Adjust closing time speed between 3 and 7 seconds from 90° to 0°. Greater closing times may be required for elderly or handicapped.
- These door closers should NOT be installed on the exposed side (weather side) of exterior doors.

8000 Series Non Hold Open Door Closer - Parallel Arm

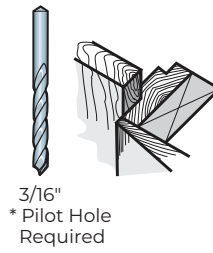
Tools Required



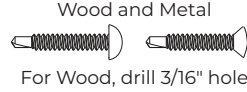
Metal



Wood



Self Drilling Screws

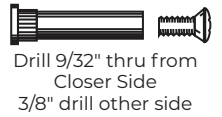


Machine Screws

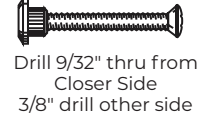


Optional

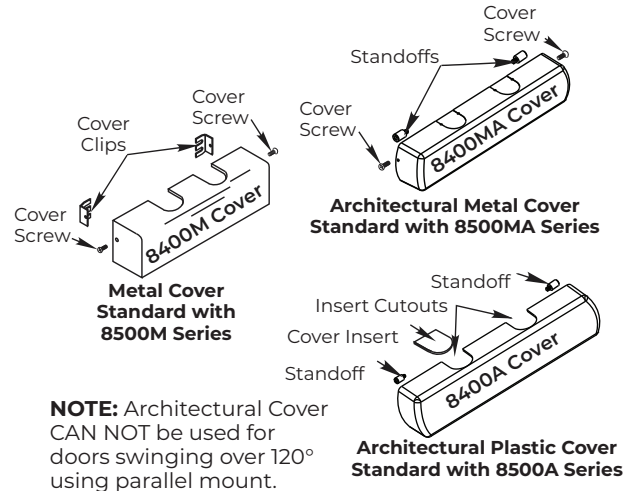
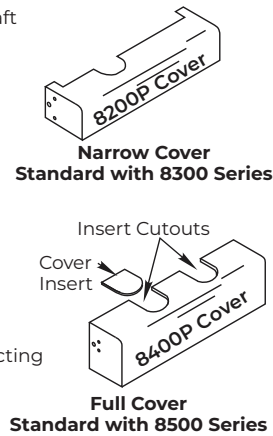
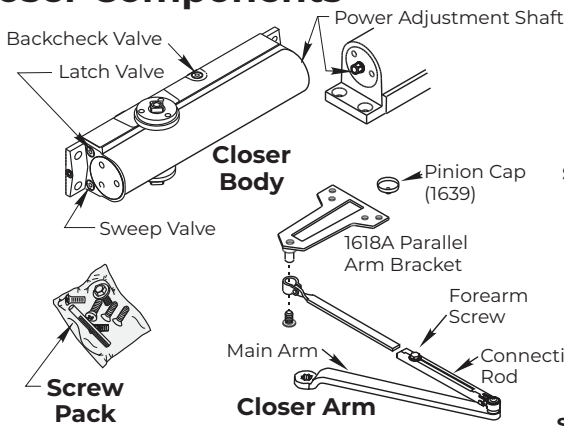
Sleeve Nut and Bolt



Thru Bolt & Grommet Nut



Closer Components



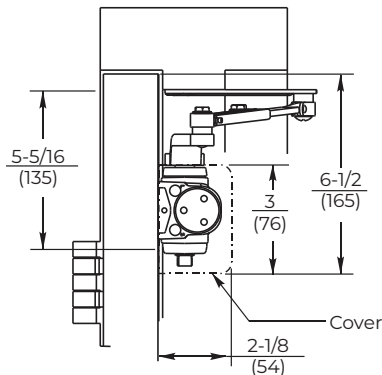
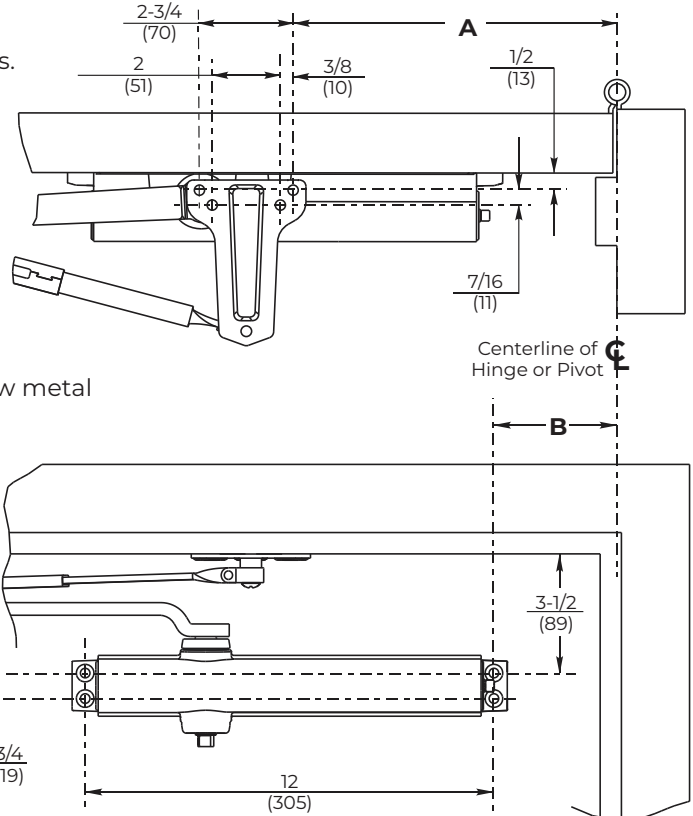
Mark and Drill Holes

This template for use with standard butt hinges or 3/4" offset pivots. For all other hardware, consult factory for template.

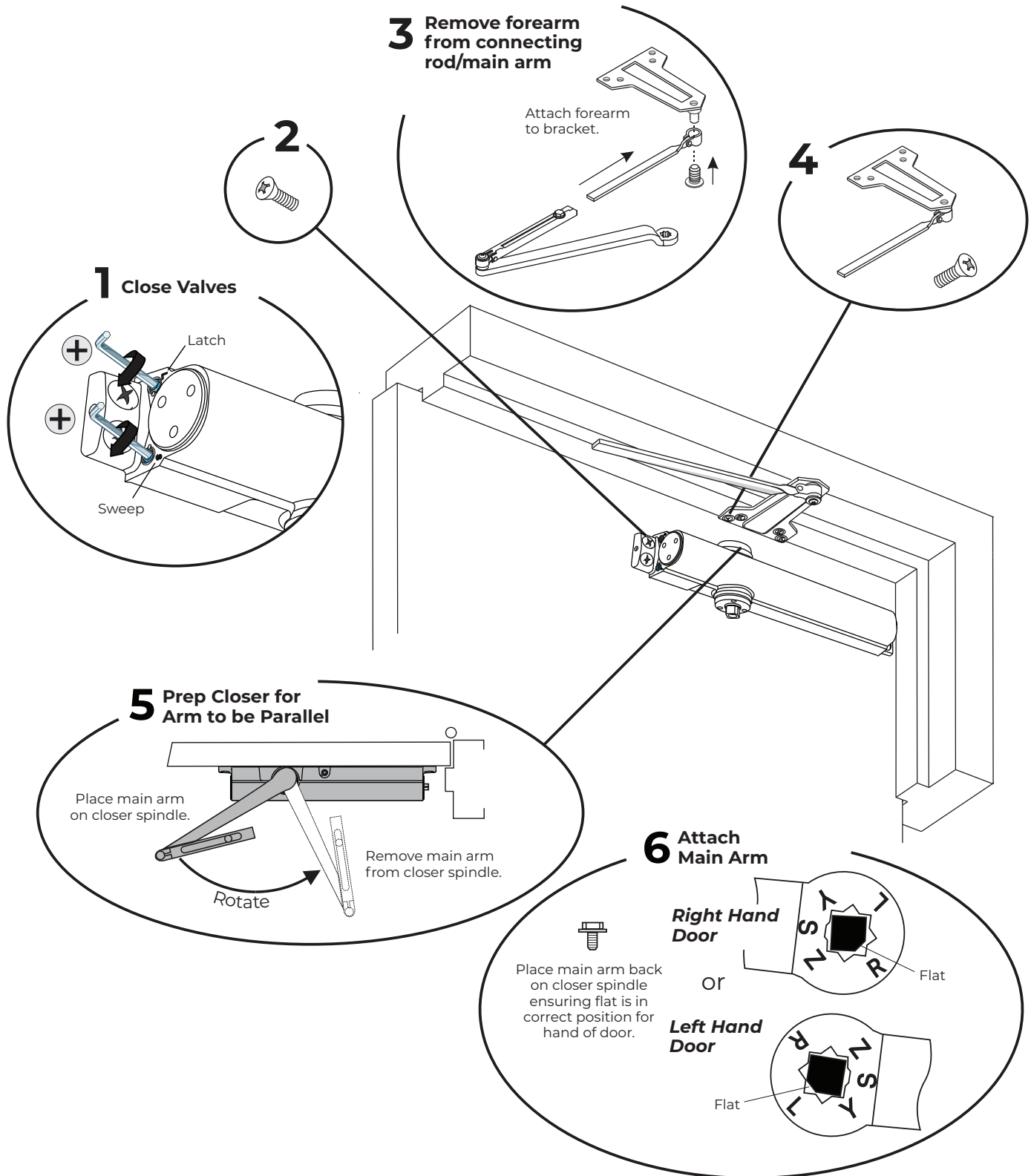
- Do Not Scale Drawing.
- Right hand door shown, left hand opposite.
- Dimensions are in inches (mm).
- Hollow metal door requires channel or box type reinforcement when through bolt mount is specified.
- Sex bolts required for wood or plastic faced fire door mounting.
- Minimum thickness recommended for reinforcements in hollow metal doors and frames: .0146" (2.66mm) unless otherwise specified.
- Maximum width hinge for this template is 5" (127)

Opening	Dim "A"	Dim "B"
	Inches (mm)	
to 120°	9-1/2 (241)	3-3/4 (95)
121° to 180° *	7 (178)	1-1/4 (32)

*Door/Frame/Hardware/Wall Conditions permitting

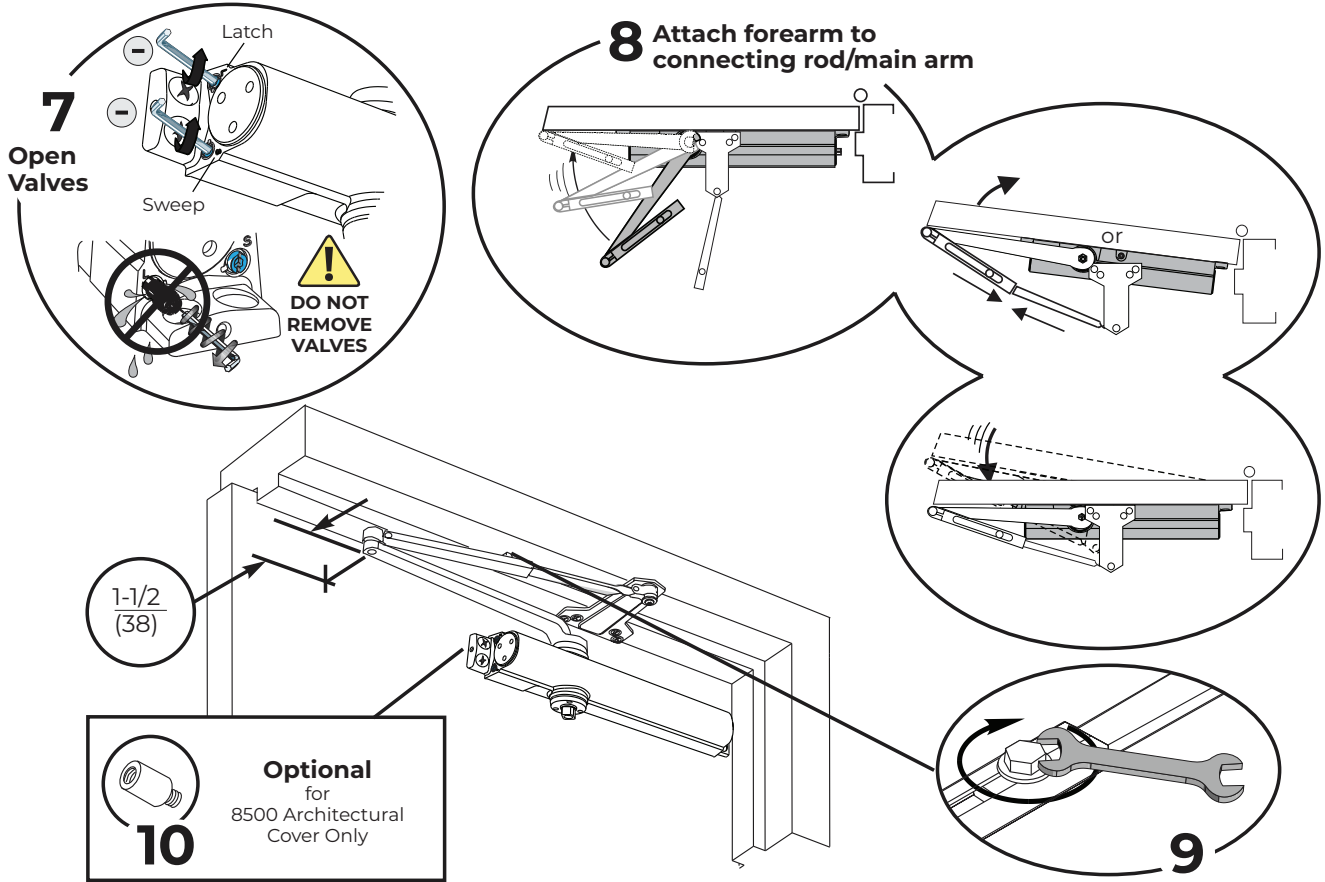


Installation Sequence

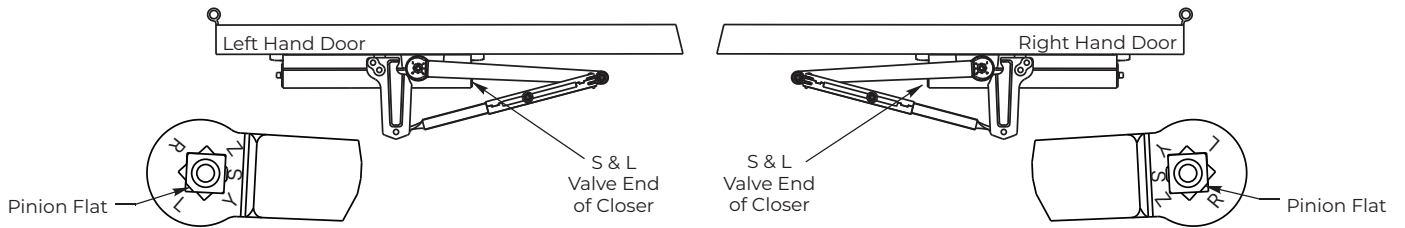


Continued on next page

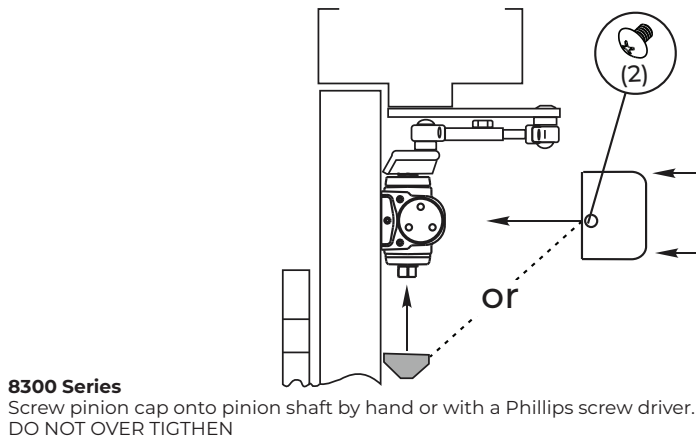
Installation Sequence (cont.)



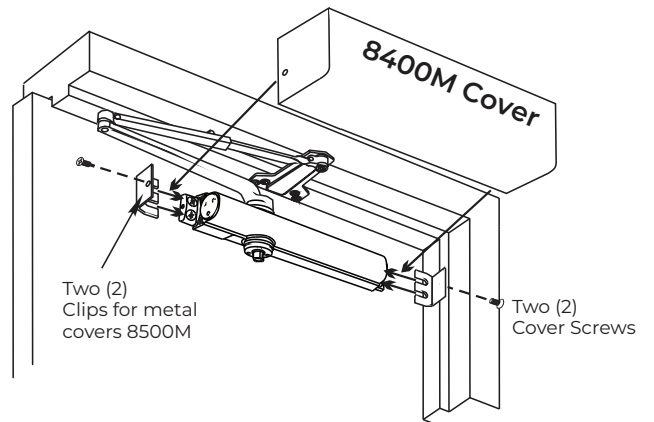
Check Installation



Pinion Cap or Optional Cover



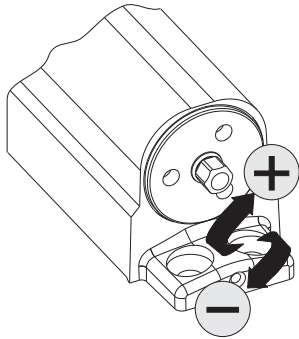
Optional 8500M Metal Cover Installation



8000 Series Non Hold Open Door Closer - Parallel Arm

Adjustments

Spring Power Adjust



(Use 5/16" socket or adjustable wrench for Adjustment)


Adjustment Chart Regular Arm JS8101/JS8301/JS8501		Number of Turns Required			
DOOR	*	MAXIMUM DOOR SIZE			
		32" (81cm)	36" (91cm)	42" (107cm)	48" (122cm)
INTERIOR	Full 360° turns of 5/16 Power Adjustment Wrench	7	10	13	16
EXTERIOR		9	12	15	18

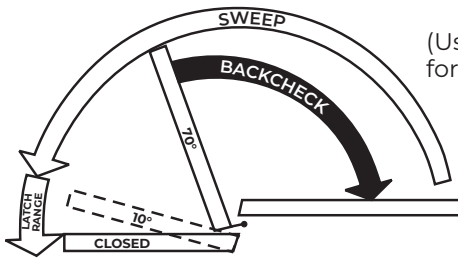
***Twenty (20) 360° Turns Maximum Available**

Closer is shipped set at mid range setting = 10 turns



By law the Americans with Disabilities Act (ADA) may require that door closer installation comply with accessibility guidelines.

 The closing force for series JS8101, JS8301 & JS8501 door closers is adjustable from a size 1 to a size 6, as outlined in ANSI Standard A156.4. When these series of door closers are installed and adjusted to conform to ADA reduced opening force requirements (5 lbs max.) for interior doors, they may not have adequate closing force to reliably close and latch the door. Power adjustments charted on this page are recommended where possible, to ensure proper door control.

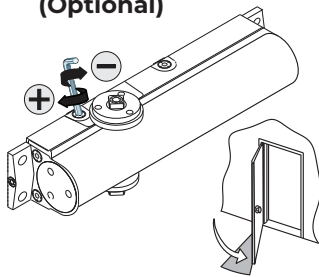


(Use 1/8" Hex Wrench for these Adjustments)

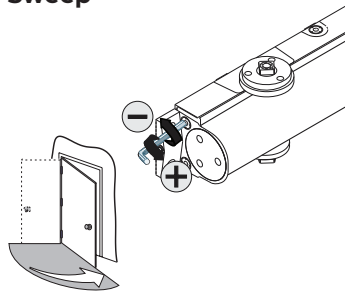


Adjust Closing Speed Time to between 3 to 7 seconds from 90°. Use of the door by handicapped, elderly or small children may require greater closing time.

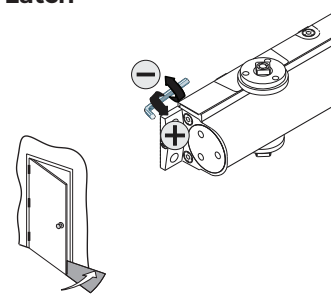
Delayed Action (Optional)



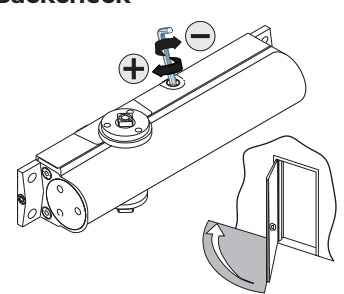
Sweep



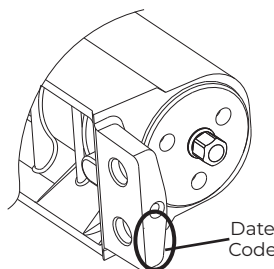
Latch



Backcheck



To Determine Date Code:



The ASSA ABLOY Group is the global leader in access solutions. Every day we help people feel safe, secure and experience a more open world.



ASSA ABLOY

Technical Product Support:
Monroe, NC 28112 USA
Phone: 877.974.2255 ext: 2
Techsupport.NortonRixson@assaabloy.com
NortonRixson.com

Norton Rixson is a brand associated with ASSA ABLOY Accessories and Door Controls Group, Inc., an ASSA ABLOY Group company.
Copyright © 2004, 2014, 2023, ASSA ABLOY Accessories and Door Controls Group, Inc. All rights reserved. Reproduction in whole or in part without the express written permission of ASSA ABLOY Accessories and Door Controls Group, Inc. is prohibited.

Approved 2024-05-14

80-9380-2219-020 Rev 3 06/23