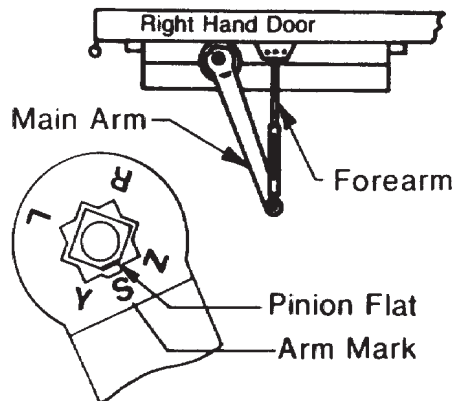
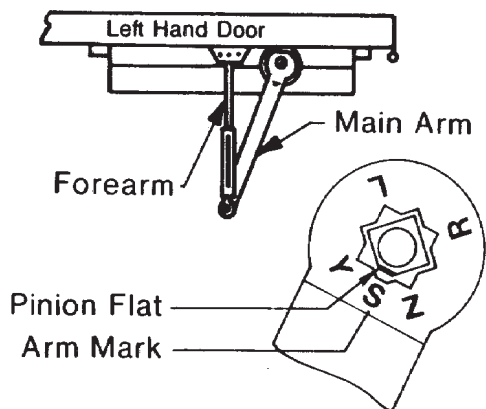


| Opening | Dimension "A" | |
|--------------|---------------|-----|
| | inches | mm. |
| To 100° | 7-1/2 | 191 |
| 100° to 130° | 6 | 152 |
| Over 130° | 4-1/2 | 114 |

Position of Arm and Pinion Flat



- Do not scale drawing.
- Right hand door shown.
- Dimensions are in inches (mm.).
- Hollow metal doors require channel or box type reinforcement when thru bolt mount is specified.
- Sex bolts required for wood or plastic faced fire door mounting.
- Minimum thickness recommended for reinforcements in hollow metal doors and frames: .1046" (2.66 mm.) unless otherwise noted.

**8000 Series Door Closer
 Regular Arm Application
 8100, 8300, and 8500
 Sizes 1 Thru 6**



ASSA ABLOY

| | | |
|------------------|----------|--------------|
| TEMPLATE NUMBER | REV | DATE |
| 7380-0101 | 3 | 12/21 |