

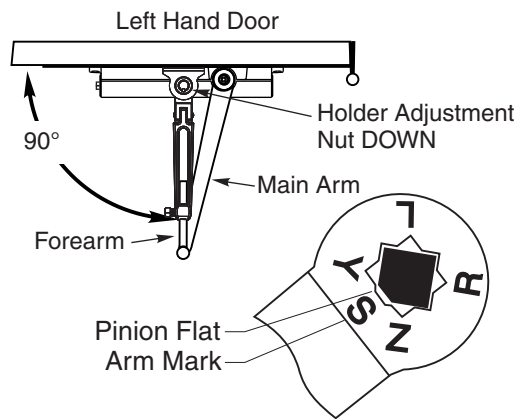
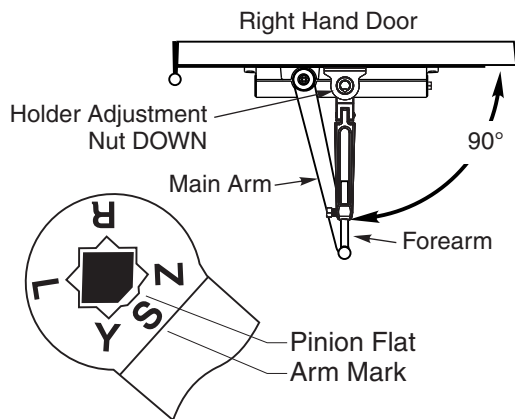
Opening	Dimension "A"
To 100°	7-1/2 (191)
101° to 130°	6 (152)
131° to *180°	4-1/2 (114)

*Door/Wall/Hardware/Jamb conditions permitting

Notes:

1. Do not scale drawing.
2. Right hand door shown.
3. Dimensions given in inches (millimeters).
4. Hollow metal doors require channel or box type reinforcement when thru-bolt mount is specified.
5. Six bolts required for wood or plastic faced fire door mounting.
6. Minimum thickness recommended for reinforcements in hollow metal doors and frames: .1046" (2.66mm) unless otherwise noted.

Position of Arm and Pinion Flat



**8000 Series Door Closer
 Regular Hold Open Application
 8100H, 8300H, and 8500H**



TEMPLATE NUMBER	REV	DATE
7380-0105	3	01/22