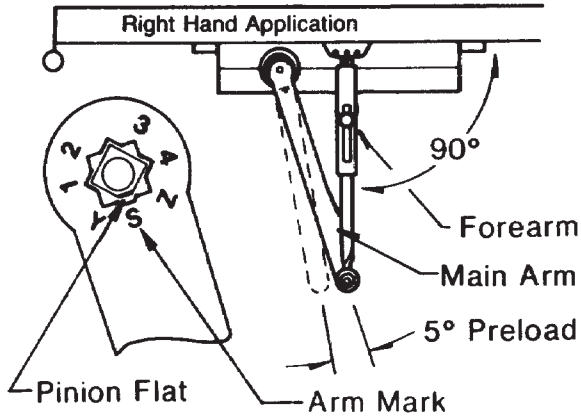
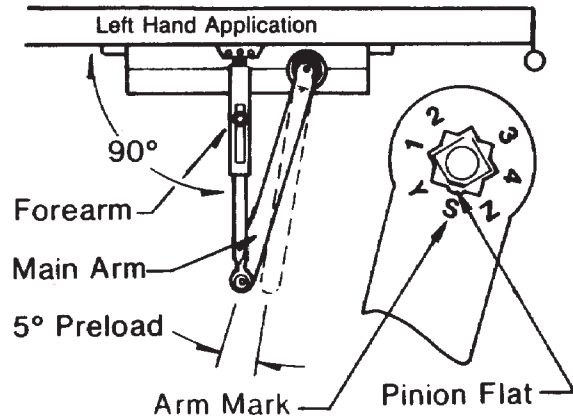


Opening	Dimension "A"	
	inches	mm.
To 100°	7-1/2	191
100° to 130°	6	152
Over 130°	4-1/2	114

● Prepare These Holes Only When
8146 Back Plate is Used

Position of Arm & Pinion Flat



- Do not scale drawing.
- Right hand door shown.
- Dimensions are in inches (mm.).
- Hollow metal doors require channel or box type reinforcement when thru bolt mount is specified.
- Sex bolts required for wood or plastic faced fire door mounting.
- Minimum thickness recommended for reinforcements in hollow metal doors and frames: .1046" (2.66 mm.) unless otherwise noted.

8080 Series Door Closer
Regular Low Ceiling Arm Application With or Without 8146 Back Plate
8180, 8380, and 8580
Sizes 1 Thru 6



ASSA ABLOY

TEMPLATE NUMBER	REV	DATE
7380-0110	3	12/21