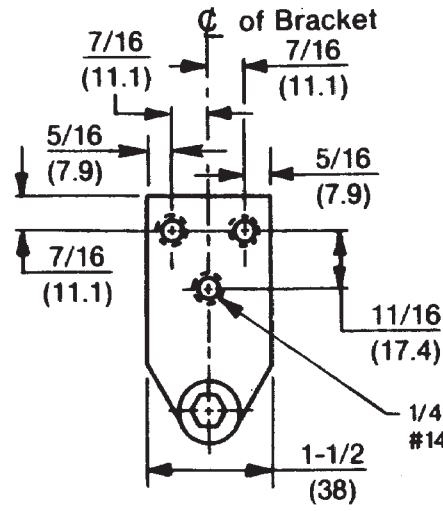
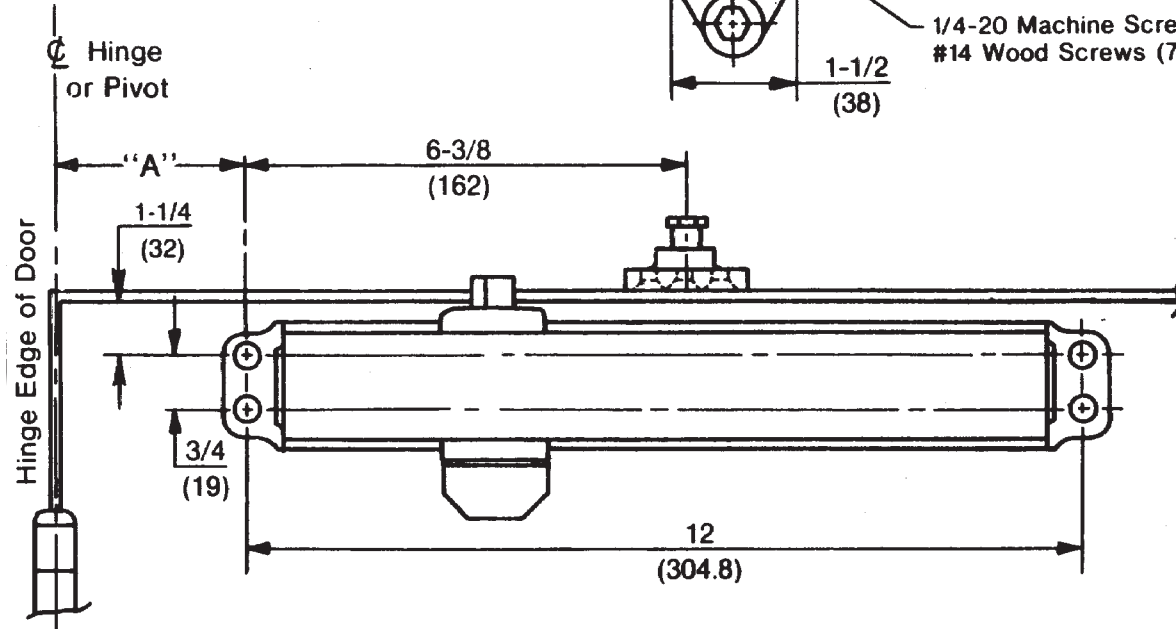


Opening	Dimension "A"	
	inches	mm.
To 100°	7-1/2	191
100° to 130°	6	152
Over 130°	4-1/2	114

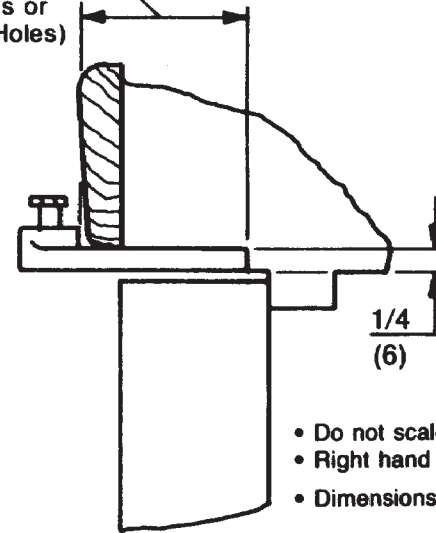


**Note: Bracket Is Mortised Into Jamb As Shown**

For 2403 Bracket — 2-1/4 (57)  
 For 2403-3/4 Bracket — 3 (76)



1/4-20 Machine Screws or #14 Wood Screws (7 Holes)



- Do not scale drawing.
- Right hand door shown.
- Dimensions are in inches (mm.).
- Hollow metal doors require channel or box type reinforcement when thru bolt mount is specified.
- Sex bolts required for wood or plastic faced fire door mounting.
- Minimum thickness recommended for reinforcements in hollow metal doors and frames: .1046" (2.66 mm.) unless otherwise noted.

**8000 Series Door Closer  
 Regular Arm Application With 2403 and 2403-3/4 Bracket For Bull Nose Trim  
 8100, 8300, and 8500  
 Sizes 1 Thru 6**



TEMPLATE NUMBER	REV	DATE
<b>7380-0103</b>	<b>3</b>	<b>12/21</b>