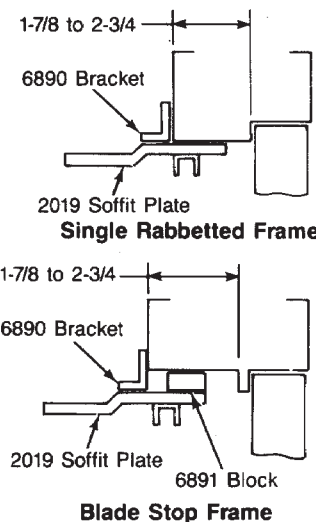
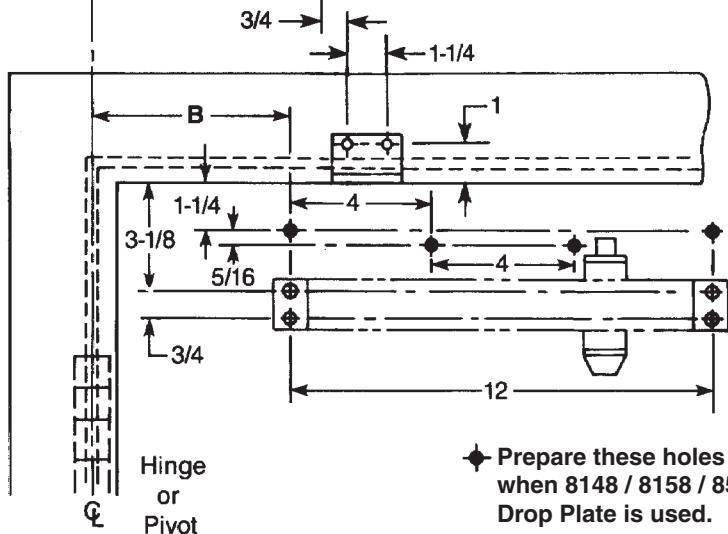


Door Opening ★	Dim A	Dim B
85°	11"	5-1/2"
90°	10-1/4"	4-3/4"
95°	9-1/2"	4"
100°	8-7/8"	3-3/8"
105°	8-1/4"	2-3/4"
110°	7-5/8"	2-1/8"

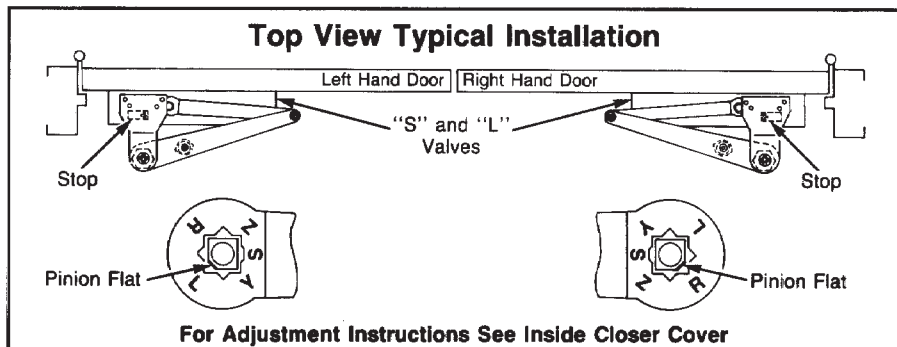
★Template dimensions are for hold open/door stop within ±2° of charted door openings. Doors may overtravel up to 5° beyond the rest position.

**NOTES:**

1. Do not scale drawing.
2. Left hand door shown.
3. Dimensions are in inches.
4. Hollow-metal doors require channel or box-type reinforcement when thru-bolt mount is specified.
5. Sex-bolts required for wood or plastic faced fire-door mounting.
6. Minimum thickness recommended for reinforcements in hollow-metal doors and frames: .0146" (2.66mm).
7. Follow Conversion Chart for metric dimensions.
8. Hold Open function "T" Suffix, is not permitted in a fire-door assembly.
9. Maximum width hinges for this template are 5" (127mm)



inches	mm.	inches	mm.	inches	mm.
5/16	8	2-1/4	57	7-7/8	200
3/8	9.5	2-3/4	70	8-3/8	212.5
7/16	11	2-7/8	73	9	228.5
3/4	19	3-1/8	79.5	9-5/8	244.5
1	25.4	3-1/2	89	10-3/8	263.5
1-1/4	31.5	4	101.5	11-1/8	282.5
1-1/2	38	4-1/8	104.5	12	305
1-7/8	47.5	4-7/8	124		
2	51	5-5/8	143		



Fastener	Frame	Door	Drill
1/4-20 machine screw	metal	none	#7 (.201" dia.) or 5.10mm. drill. 1/4-20 tap
#14 type "A" sheet metal screw	wood	none	3/16" (4.30mm.)
SNB (optional)	none	hollow metal	9/32" (7.00mm.) thru 3/8" (9.50mm.) door face opposite to closer
		aluminum or wood	3/8" (9.50mm.) thru

**CLP-8300, CLP-8500 Series with CloserPlus® Arm or  
 CPS-8300 or CPS-8500 Series with CloserPlus Spring™ Arm  
 Parallel Arm with 6890 Reinforcing Bracket With or Without 8148 / 8158 / 8458 Drop Plate  
 Arm Function; Stop Only or Stop & Hold Open ("T" or "R" Suffix)  
 Power Sizes 1, 2, 3, 4, 5 or 6**



**ASSA ABLOY**

TEMPLATE NUMBER	REV	DATE
<b>7380-1302</b>	<b>4</b>	<b>12/21</b>