

Door Opening ★	Dim A	Dim B
85°	11-1/8"	5-1/2"
90°	10-3/8"	4-3/4"
95°	9-5/8"	4"
100°	9"	3-3/8"
105°	8-3/8"	2-3/4"
110°	7-3/4"	2-1/8"

★ **Template dimensions are for hold open/door stop within ± 2° of charted door openings. Doors may overtravel up to 5° beyond the rest position.**

Notes:

Do not scale drawing.

Left hand door shown.

Dimensions are in inches.

Hollow-metal doors require channel or box-type reinforcement when thru-bolt mount is specified.

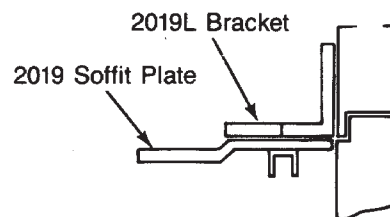
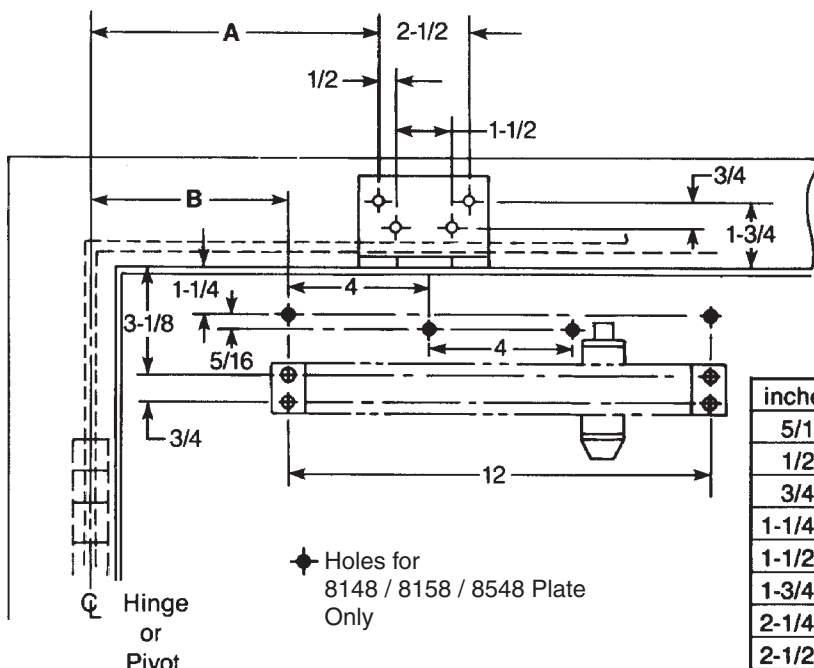
Sex-bolts required for wood or plastic faced fire-door mounting.

Minimum thickness recommended for reinforcements in hollow-metal doors and frames: .1046" (2.66mm.).

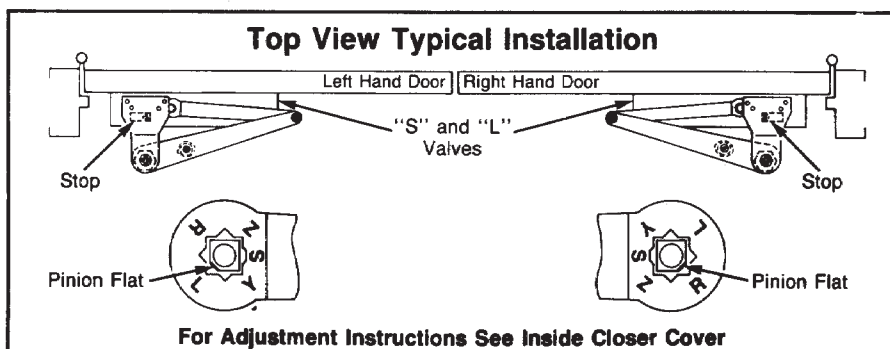
Follow Conversion Chart for metric dimensions.

Hold Open function, "T" suffix, is not permitted in a fire-door assembly.

Maximum width hinges for this template are 5" (127mm)



inches	mm.	inches	mm.	inches	mm.
5/16	8	2-7/8	73	8-1/2	216
1/2	12.5	3-1/8	79.5	9-1/8	232
3/4	19	3-1/2	89	9-3/4	247.5
1-1/4	31.5	4	101.5	10-1/2	266
1-1/2	38	4-1/8	104.5	11-1/4	286
1-3/4	44.5	4-7/8	124	12	305
2-1/4	57	5-5/8	143		
2-1/2	63.5	8	203		



Fastener	Frame	Door	Drill
1/4-20 machine screw	metal	none	#7 (.201" dia.) or 5.10mm. drill. 1/4-20 tap
#14 type "A" sheet metal screw	wood	none	3/16" (4.30mm.)
SNB (optional)	none	hollow metal	9/32" (7.00mm.) thru 3/8" (9.50mm.) door face opposite to closer
		aluminum or wood	3/8" (9.50mm.) thru

**CLP-8300, CLP-8500 Series Door Closer with CloserPlus® Arm or
 CPS-8300, CPS-8500 Series Door Closer with CloserPlus Spring™ Arm
 Parallel Arm x 2019L Bracket, with or without 8148 / 8158 / 8458 Drop Plate
 Arm Function: Stop Only or Stop & Hold Open ("T" or "R" Suffix)
 Power Sizes 1, 2, 3, 4, 5, or 6**



ASSA ABLOY

TEMPLATE NUMBER	REV	DATE
7380-1303	4	12/21