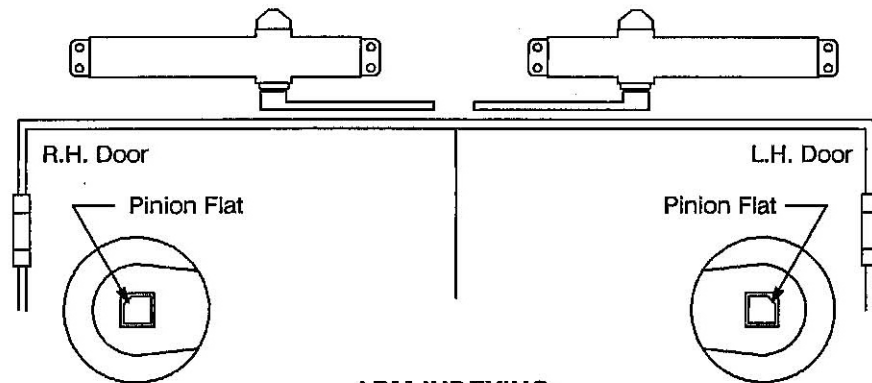
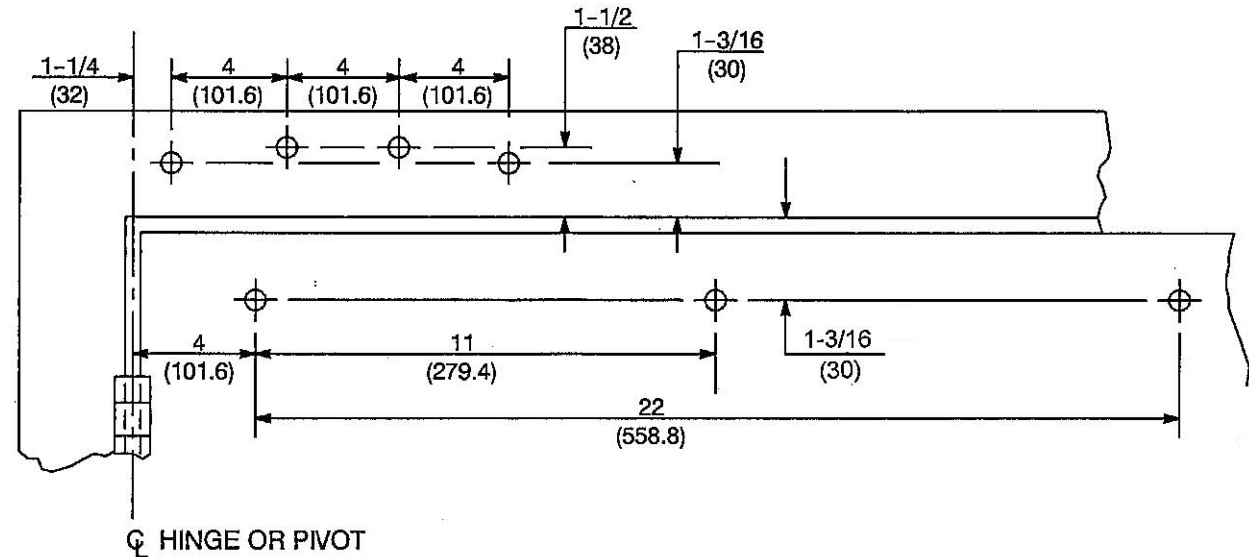


Notes:

- Do not scale drawing.
- Right hand door shown. Same dimensions apply for left hand door, measured from centerline of hinge or pivot.
- Template information based upon use of 4-1/2" hinges or 3/4" offset pivots.
- Dimensions are shown in inches and millimeters (mm.).
- Hollow metal doors require channel or box-type reinforcement when thru-bolt mount is specified.
- Sex-nuts are required for wood or plastic faced fire-door installations.
- Minimum thickness recommended for reinforcements in hollow metal doors and frames is .1046 (2.66) unless noted otherwise.
- Minimum ceiling clearance for closer unit is 4-1/16" (103).
- Maximum frame reveal is 1/8" (3).
- Maximum door swing:
 - Non Hold Open - 110° (With spring buffer in track).
 - Non Hold Open - 180° (Without spring buffer in track).
 - Hold Open - 110°.



ARM INDEXING

PREPARATION FOR FASTENERS

Fastener	Opening	Drill Sizes
1/4"-20 Machine Screw	Metal Door or Frame	#7 [.201" (5.10mm.) dia.] drill 1/4"-20 UNC Tap
Sex nuts and bolts	Wood or Composite Door	3/8" (9.50mm.) through; 9/16" (15.00mm.) diameter x 1/8" (3mm.) deep on face opposite to closer
Through bolts and grommet nuts		From face opposite to closer: 9/32" (7.00mm.) through; 3/8" (9.50mm.) diameter x 1/2" (13mm.) deep; 5/8" (16.00mm.) diameter x 1/8" (3mm.) deep

**J8000ST or J8000STH Series Door Closers with 8146 Back Plate
 Hinge (Pull) Side Slide Track Application
 Non-Hold Open or Hold Open Function
 Series 8300 or 8500, Sizes 1, 4, 5, or 6**



ASSA ABLOY

TEMPLATE NUMBER	REV	DATE
7380-0515	3	12/21